



Dealers Industrial Equipment

No.:

Date: 13-SEP-2016

Customer :

TECHNICAL PROPOSAL

Three-phase induction motor - Squirrel cage rotor

Product line : ODP – Open Induction Motors – NEMA Premium Efficiency

Catalog Number : 00718OT3E213TC

List Price : \$961

Notes:

Downloaded from <http://dealerselectric.com>

Generated for Model #00718OT3E213TC

Performed by:

Checked:



Dealers Industrial Equipment

No.:

Date: 13-SEP-2016

DATA SHEET Three-phase induction motor - Squirrel cage rotor

Customer :
 Product line : ODP – Open Induction Motors – NEMA Premium Efficiency

Frame : 213/5T
 Output : 7.5 HP
 Frequency : 60 Hz
 Poles : 4
 Full load speed : 1760 rpm
 Slip : 2.22 %
 Voltage : 208-230/460 V
 Rated current : 20.0-18.1/9.03 A
 Locked rotor current : 135/67.7 A
 Locked rotor current (I_L/I_n) : 7.5
 No-load current : 9.00/4.50 A
 Full load torque : 22.1 lb.ft
 Locked rotor torque : 200 %
 Breakdown torque : 270 %
 Design : B
 Insulation class : F
 Temperature rise : 80 K
 Locked rotor time : 12 s (hot)
 Service factor : 1.15
 Duty cycle : S1
 Ambient temperature : -20°C - +40°C
 Altitude : 1000 m
 Degree of Protection : IP21
 Approximate weight : 77 lb
 Moment of inertia : 0.91977 sq.ft.lb
 Noise level : ---

	D.E.	N.D.E.
Bearings	6208 ZZ	6206 ZZ
Regreasing interval	---	---
Grease amount	---	---

Load	Power factor	Efficiency (%)
100%	0.84	91.0
75%	0.79	90.2
50%	0.68	89.0

Notes:
 Downloaded from <http://dealerselectric.com>
 Generated for Model #00718OT3E213TC

Performed by

Checked



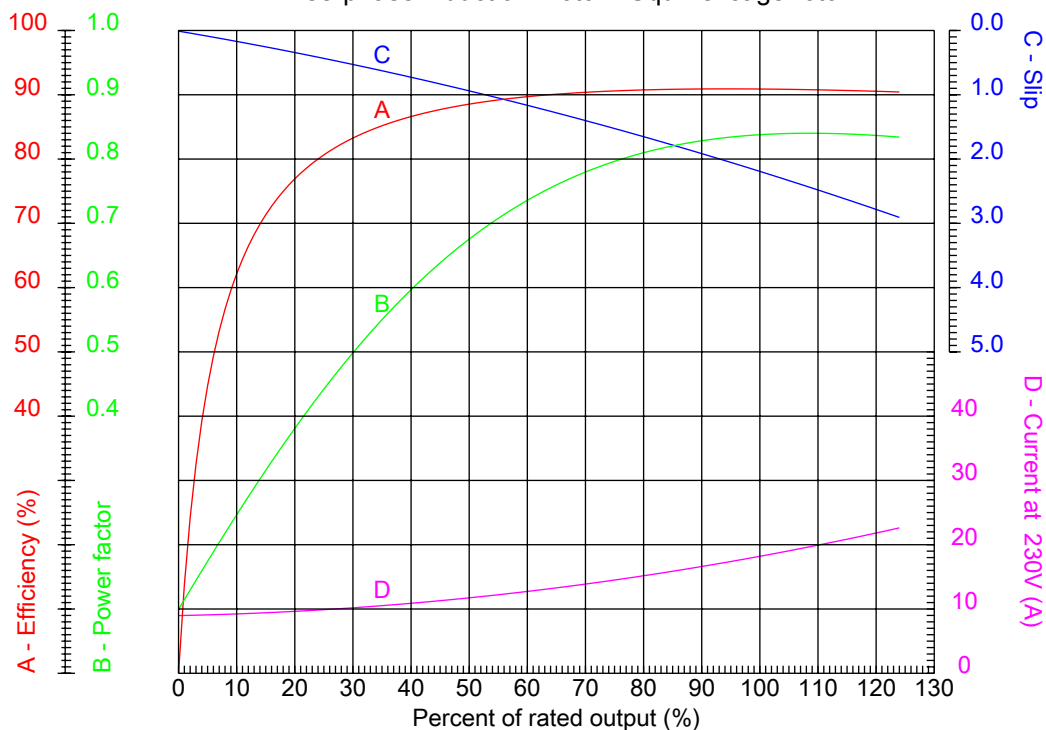
Dealers Industrial Equipment

No.:

Date: 13-SEP-2016

PERFORMANCE CURVES RELATED TO RATED OUTPUT

Three-phase induction motor - Squirrel cage rotor



Customer :
Product line : ODP – Open Induction Motors – NEMA Premium Efficiency

Frame	: 213/5T	Locked rotor current (I _L /I _n)	: 7.5
Output	: 7.5 HP	Duty cycle	: S1
Frequency	: 60 Hz	Service factor	: 1.15
Full load speed	: 1760 rpm	Design	: B
Voltage	: 208-230/460 V	Locked rotor torque	: 200 %
Rated current	: 20.0-18.1/9.03 A	Breakdown torque	: 270 %
Insulation class	: F		

Notes:
Downloaded from <http://dealerselectric.com>
Generated for Model #00718OT3E213TC

Performed by

Checked



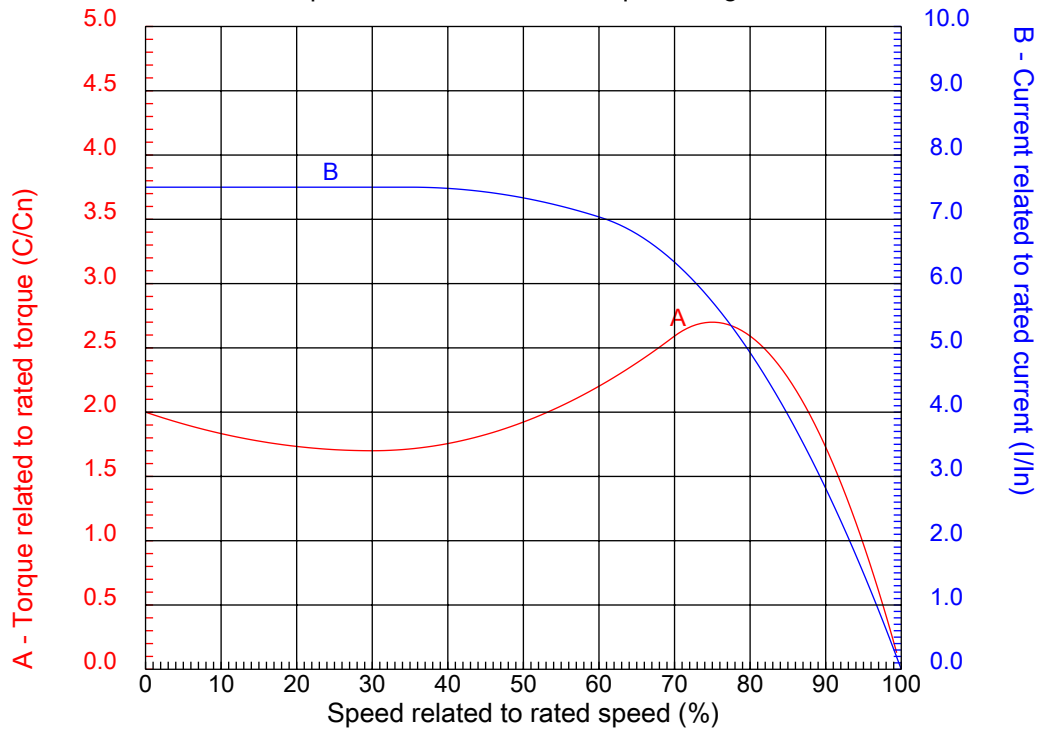
Dealers Industrial Equipment

No.:

Date: 13-SEP-2016

CHARACTERISTIC CURVES RELATED TO SPEED

Three-phase induction motor - Squirrel cage rotor



Customer :
Product line : ODP – Open Induction Motors – NEMA Premium Efficiency

Frame	: 213/5T	Locked rotor current (I _l /I _n)	: 7.5
Output	: 7.5 HP	Duty cycle	: S1
Frequency	: 60 Hz	Service factor	: 1.15
Full load speed	: 1760 rpm	Design	: B
Voltage	: 208-230/460 V	Locked rotor torque	: 200 %
Rated current	: 20.0-18.1/9.03 A	Breakdown torque	: 270 %
Insulation class	: F		

Notes:
Downloaded from <http://dealerselectric.com>
Generated for Model #00718OT3E213TC

Performed by

Checked

1 2 3 4 5 6 7 8

A

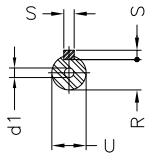
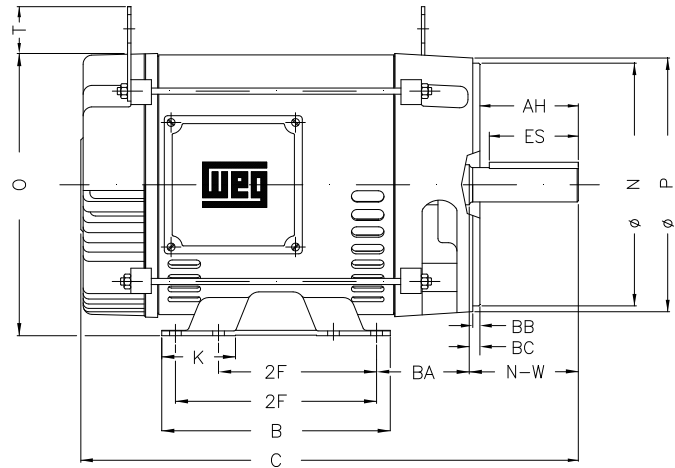
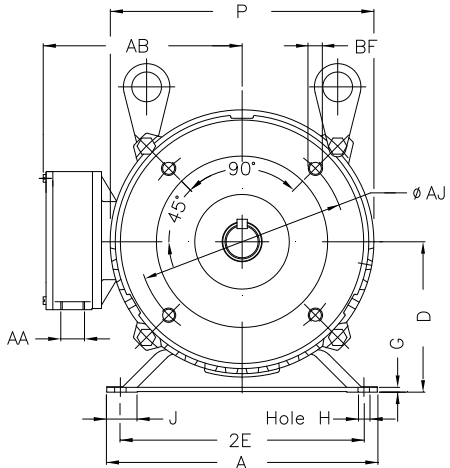
B

C

D

E

F



Notes: Downloaded from <http://dealerselectric.com>
Generated for Model #007180T3E213TC

Performed by:

Checked:

Customer:

ODP – Open Induction Motors – NEMA Premium Efficiency

Three-phase induction motor
Frame 213/5T - IP21

13-SEP-2016



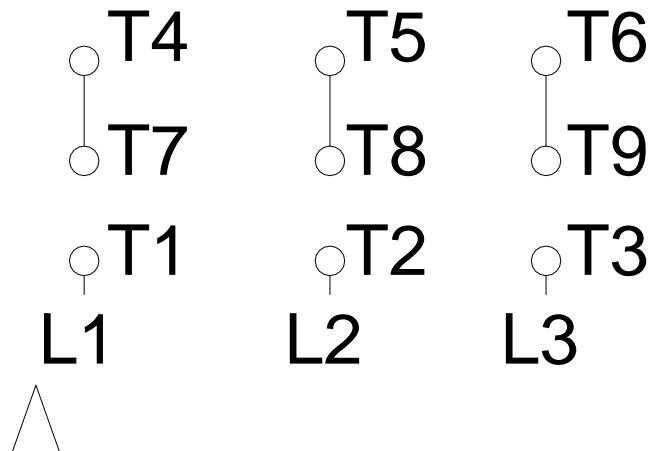
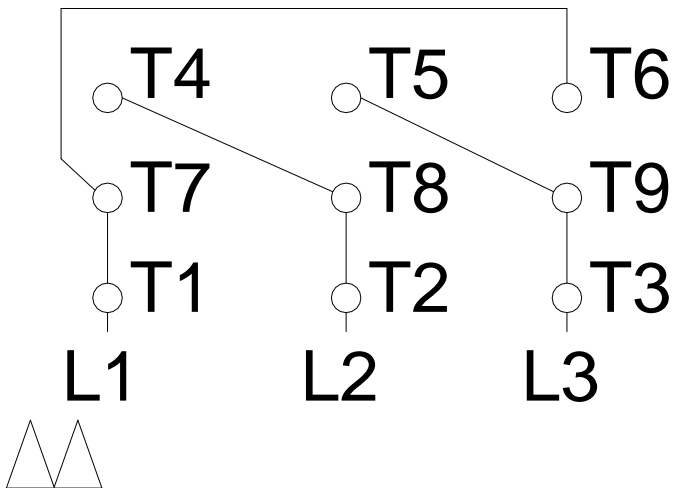
2E 8.500	J 1.063	A 9.448	P 8.779	AB 8.149
2F 5.500/7.000	K 2.567	B 7.952	BA 3.488	U 1.375
d1 A 4	N-W 3.375	ES 2.480	S 0.313	R 1.203
depth 0.313	D 5.250	G 0.187	O 9.842	T 1.378
H 0.406	C 17.165	AA NPT 1"	Flange FC-184	AJ 7.250
AK 8.500	BD 8.875	BF UNC 1/2"x13	BB 0.250	BC 0.250

1 2 3 4 5 6 7 8

LOW VOLTAGE

HIGH VOLTAGE

A
B
C
D
E
F



Notes: Downloaded from <http://dealerselectric.com>
Generated for Model #007180T3E213TC

Performed by:

Checked:

Customer:

ODP – Open Induction Motors – NEMA Premium Efficiency

Three-phase induction motor
Frame 213/5T - IP21

13-SEP-2016

