



Dealers Industrial Equipment

No.:

Date: 13-SEP-2016

Customer :

TECHNICAL PROPOSAL

Three-phase induction motor - Squirrel cage rotor

Product line : Three Phase: W01 (Rolled Steel) - ODP - NEMA Premium Efficiency

Catalog Number : 00718OT3E213TC-S

List Price : \$961

Notes:

Downloaded from <http://dealerselectric.com>

Generated for Model #00718OT3E213TC-S

Performed by:

Checked:



Dealers Industrial Equipment

No.:

Date: 13-SEP-2016

DATA SHEET Three-phase induction motor - Squirrel cage rotor

Customer :
 Product line : Three Phase: W01 (Rolled Steel) - ODP - NEMA Premium Efficiency

Frame : 213/5T
 Output : 7.5 HP
 Frequency : 60 Hz
 Poles : 4
 Full load speed : 1770 rpm
 Slip : 1.67 %
 Voltage : 208-230/460 V
 Rated current : 20.5-18.5/9.25 A
 Locked rotor current : 135/67.5 A
 Locked rotor current (I_L/I_n) : 7.3
 No-load current : 8.79/4.39 A
 Full load torque : 22.0 lb.ft
 Locked rotor torque : 240 %
 Breakdown torque : 320 %
 Design : B
 Insulation class : F
 Temperature rise : 80 K
 Locked rotor time : 13 s (hot)
 Service factor : 1.15
 Duty cycle : S1
 Ambient temperature : -20°C - +40°C
 Altitude : 1000 m
 Degree of Protection : ODP
 Approximate weight : 116 lb
 Moment of inertia : 1.0273 sq.ft.lb
 Noise level : 59 dB(A)

| | D.E. | N.D.E. |
|---------------------|---------|---------|
| Bearings | 6208 ZZ | 6206 ZZ |
| Regreasing interval | --- | --- |
| Grease amount | --- | --- |

| Load | Power factor | Efficiency (%) |
|------|--------------|----------------|
| 100% | 0.82 | 91.0 |
| 75% | 0.77 | 90.2 |
| 50% | 0.65 | 89.5 |

Notes:
 Downloaded from <http://dealerselectric.com>
 Generated for Model #00718OT3E213TC-S

Performed by

Checked



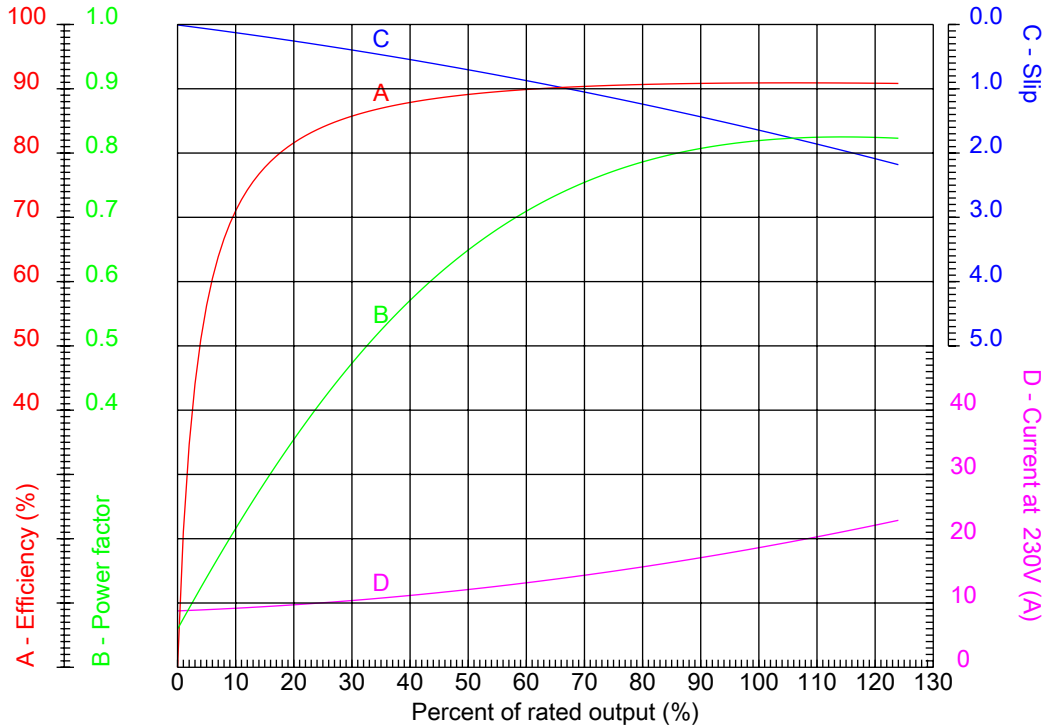
Dealers Industrial Equipment

No.:

Date: 13-SEP-2016

PERFORMANCE CURVES RELATED TO RATED OUTPUT

Three-phase induction motor - Squirrel cage rotor



Customer :
 Product line : Three Phase: W01 (Rolled Steel) - ODP - NEMA Premium Efficiency

| | | | |
|------------------|--------------------|--|---------|
| Frame | : 213/5T | Locked rotor current (I _L /I _n) | : 7.3 |
| Output | : 7.5 HP | Duty cycle | : S1 |
| Frequency | : 60 Hz | Service factor | : 1.15 |
| Full load speed | : 1770 rpm | Design | : B |
| Voltage | : 208-230/460 V | Locked rotor torque | : 240 % |
| Rated current | : 20.5-18.5/9.25 A | Breakdown torque | : 320 % |
| Insulation class | : F | | |

Notes:
 Downloaded from <http://dealerselectric.com>
 Generated for Model #00718OT3E213TC-S

Performed by

Checked



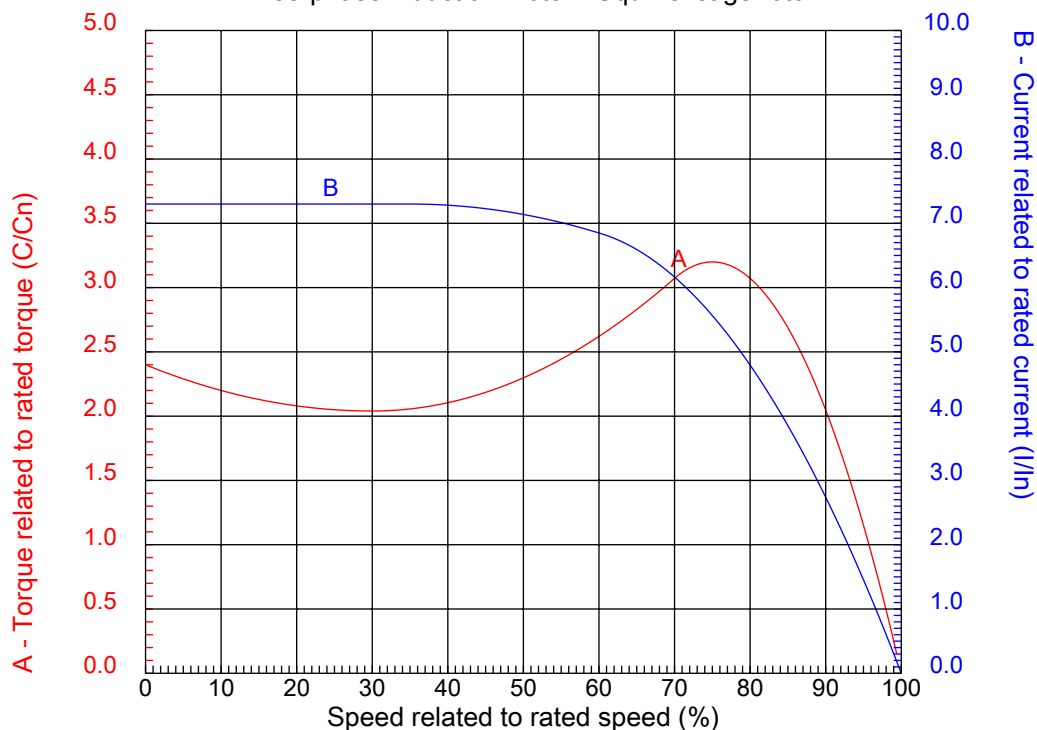
Dealers Industrial Equipment

No.:

Date: 13-SEP-2016

CHARACTERISTIC CURVES RELATED TO SPEED

Three-phase induction motor - Squirrel cage rotor



Customer :
Product line : Three Phase: W01 (Rolled Steel) - ODP - NEMA Premium Efficiency

| | | | |
|------------------|--------------------|--|---------|
| Frame | : 213/5T | Locked rotor current (I _l /I _n) | : 7.3 |
| Output | : 7.5 HP | Duty cycle | : S1 |
| Frequency | : 60 Hz | Service factor | : 1.15 |
| Full load speed | : 1770 rpm | Design | : B |
| Voltage | : 208-230/460 V | Locked rotor torque | : 240 % |
| Rated current | : 20.5-18.5/9.25 A | Breakdown torque | : 320 % |
| Insulation class | : F | | |

Notes:
Downloaded from <http://dealerselectric.com>
Generated for Model #00718OT3E213TC-S

Performed by

Checked

1 2 3 4 5 6 7 8

A

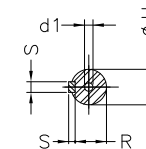
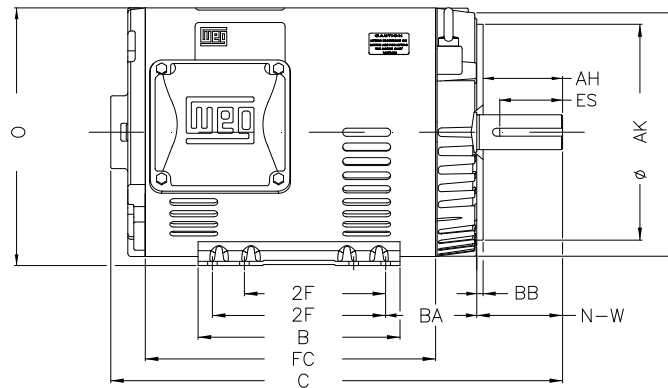
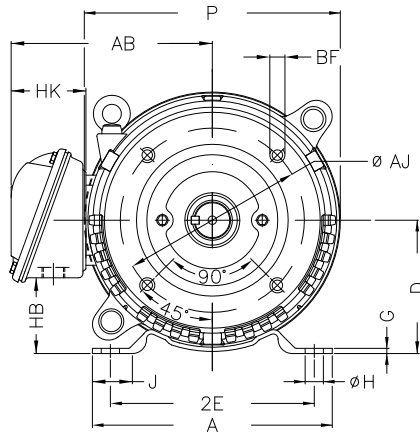
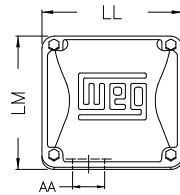
B

C

D

E

F



Notes: Downloaded from <http://dealerselectric.com>
Generated for Model #007180T3E213TC-S

| | | | | |
|--------|--------|-------------|--------|--------|
| P | AB | J | 2E | A |
| 9.846 | 7.973 | 1.575 | 8.500 | 9.449 |
| H | G | HB | HK | T |
| 0.406 | 0.167 | 2.982 | 3.022 | 0.029 |
| O | FC | 2F | B | C |
| 10.144 | 10.236 | 5.500/7.000 | 7.953 | 16.575 |
| BA | N-W | ES | d1 | S |
| 4.250 | 3.380 | 2.480 | A 4 | 0.313 |
| U | AA | depth | R | LL |
| 1.375 | 1.377" | 0.313 | 1.203 | 5.551 |
| LM | D | CH | Flange | AJ |
| 5.250 | 5.250 | 1.929 | FC-184 | 7.250 |
| AK | BD | BF | BB | AH |
| 8.500 | 9.401 | UNC 1/2"x13 | 0.250 | 3.129 |

Performed by:

Checked:

Customer:

Three Phase: W01 (Rolled Steel) - ODP - NEMA Premium Efficiency

Three-phase induction motor
Frame 213/5T - ODP

13-SEP-2016

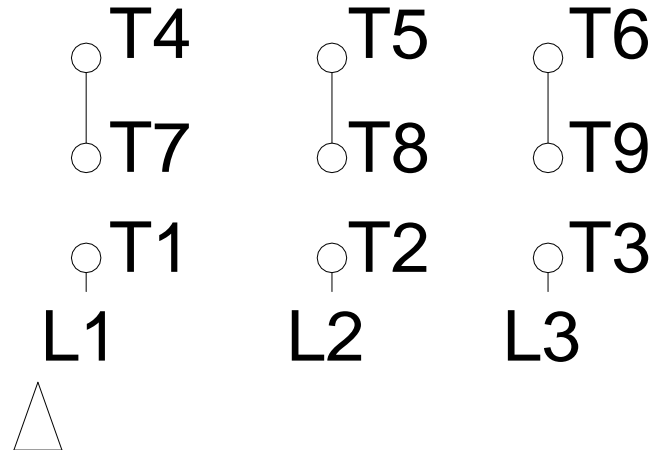


1 2 3 4 5 6 7 8

LOW VOLTAGE

HIGH VOLTAGE

A
B
C
D
E
F



Notes: Downloaded from <http://dealerselectric.com>
 Generated for Model #00718OT3E213TC-S

Performed by:

Checked:

Customer:

Three Phase: W01 (Rolled Steel) - ODP - NEMA Premium Efficiency

Three-phase induction motor
 Frame 213/5T - IP21

13-SEP-2016

