



# Dealers Industrial Equipment

No.:

Date: 13-SEP-2016

Customer :

## TECHNICAL PROPOSAL

### Three-phase induction motor - Squirrel cage rotor

Product line : W01 (Rolled Steel) General Purpose ODP

Catalog Number : 00718OT3E213T-SG

List Price : \$1,110

#### Notes:

Downloaded from <http://dealerselectric.com>

Generated for Model #00718OT3E213T-SG

Performed by:

Checked:



Dealers Industrial Equipment

No.:

Date: 13-SEP-2016

### DATA SHEET Three-phase induction motor - Squirrel cage rotor

Customer :  
Product line : W01 (Rolled Steel) General Purpose ODP

Frame : 213/5T  
Output : 7.5 HP  
Frequency : 60 Hz  
Poles : 4  
Full load speed : 1770 rpm  
Slip : 1.67 %  
Voltage : 208-230/460 V  
Rated current : 20.5-18.5/9.25 A  
Locked rotor current : 135/67.5 A  
Locked rotor current (I<sub>L</sub>/I<sub>n</sub>) : 7.3  
No-load current : 8.79/4.39 A  
Full load torque : 22.0 lb.ft  
Locked rotor torque : 240 %  
Breakdown torque : 320 %  
Design : B  
Insulation class : F  
Temperature rise : 80 K  
Locked rotor time : 13 s (hot)  
Service factor : 1.15  
Duty cycle : S1  
Ambient temperature : -20°C - +40°C  
Altitude : 1000 m  
Degree of Protection : ODP  
Approximate weight : 116 lb  
Moment of inertia : 1.0273 sq.ft.lb  
Noise level : 59 dB(A)

	D.E.	N.D.E.
Bearings	6208 ZZ	6206 ZZ
Regreasing interval	---	---
Grease amount	---	---

Load	Power factor	Efficiency (%)
100%	0.82	91.0
75%	0.77	90.2
50%	0.65	89.5

Notes:  
Downloaded from <http://dealerselectric.com>  
Generated for Model #00718OT3E213T-SG

Performed by

Checked



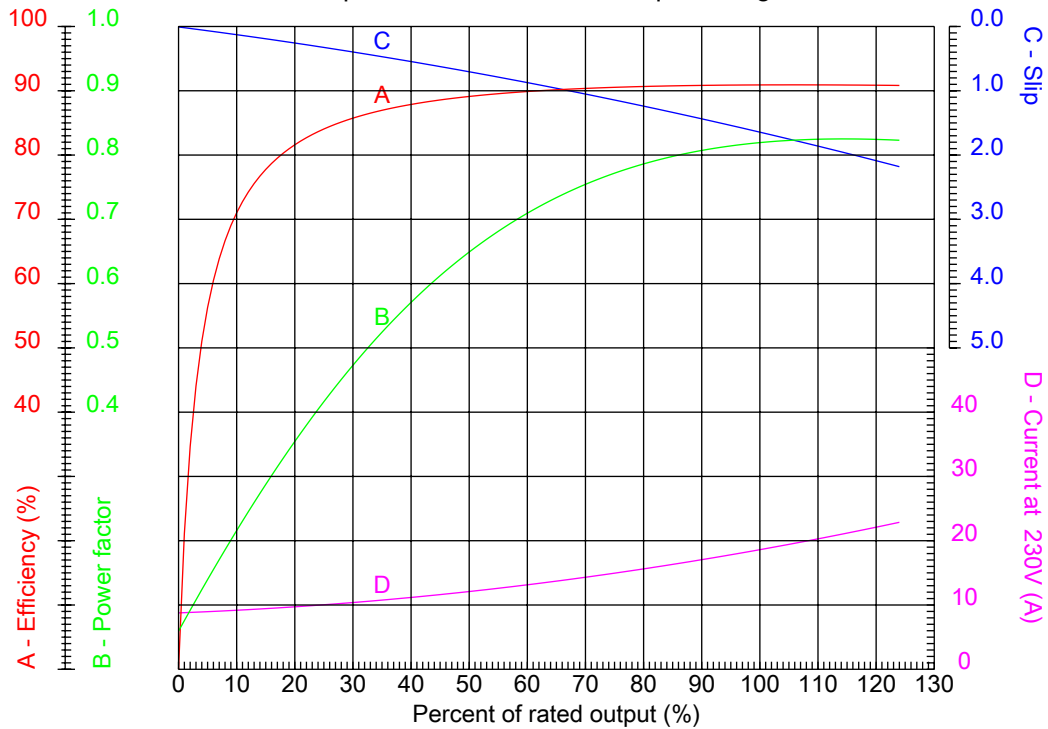
# Dealers Industrial Equipment

No.:

Date: 13-SEP-2016

## PERFORMANCE CURVES RELATED TO RATED OUTPUT

Three-phase induction motor - Squirrel cage rotor



Customer :  
 Product line : W01 (Rolled Steel) General Purpose ODP

Frame : 213/5T	Locked rotor current (I <sub>l</sub> /I <sub>n</sub> ) : 7.3
Output : 7.5 HP	Duty cycle : S1
Frequency : 60 Hz	Service factor : 1.15
Full load speed : 1770 rpm	Design : B
Voltage : 208-230/460 V	Locked rotor torque : 240 %
Rated current : 20.5-18.5/9.25 A	Breakdown torque : 320 %
Insulation class : F	

Notes:  
 Downloaded from <http://dealerselectric.com>  
 Generated for Model #00718OT3E213T-SG

Performed by

Checked



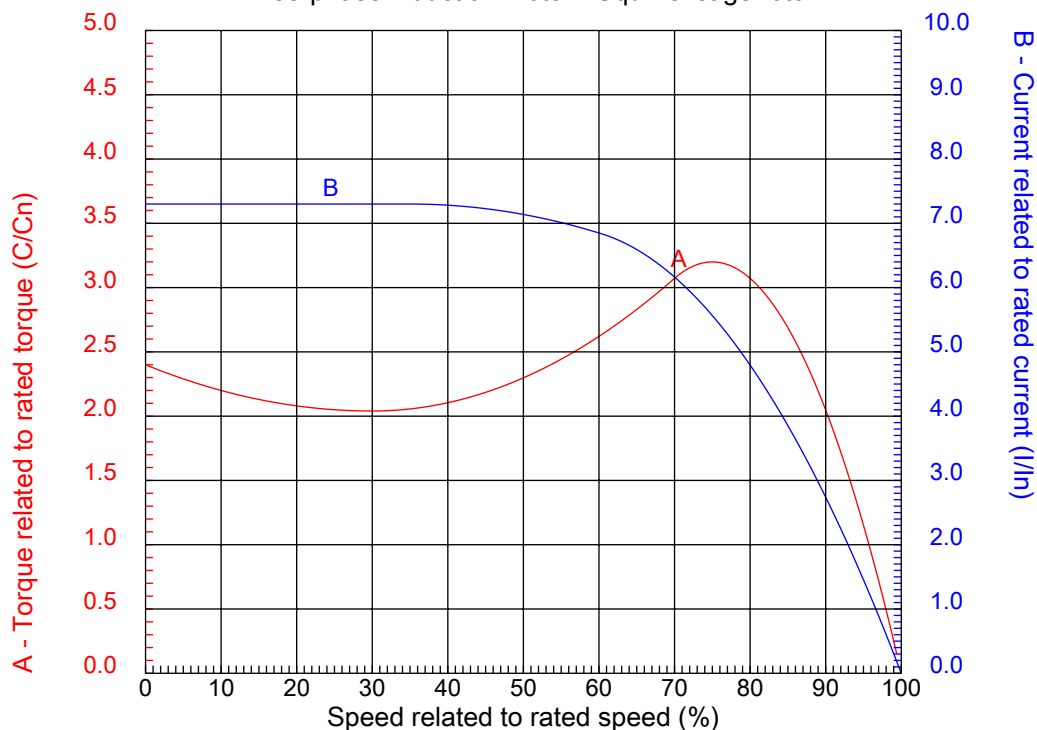
# Dealers Industrial Equipment

No.:

Date: 13-SEP-2016

## CHARACTERISTIC CURVES RELATED TO SPEED

Three-phase induction motor - Squirrel cage rotor



Customer :  
Product line : W01 (Rolled Steel) General Purpose ODP

Frame	: 213/5T	Locked rotor current (I <sub>l</sub> /I <sub>n</sub> )	: 7.3
Output	: 7.5 HP	Duty cycle	: S1
Frequency	: 60 Hz	Service factor	: 1.15
Full load speed	: 1770 rpm	Design	: B
Voltage	: 208-230/460 V	Locked rotor torque	: 240 %
Rated current	: 20.5-18.5/9.25 A	Breakdown torque	: 320 %
Insulation class	: F		

Notes:  
Downloaded from <http://dealerselectric.com>  
Generated for Model #00718OT3E213T-SG

Performed by

Checked

1 2 3 4 5 6 7 8

A

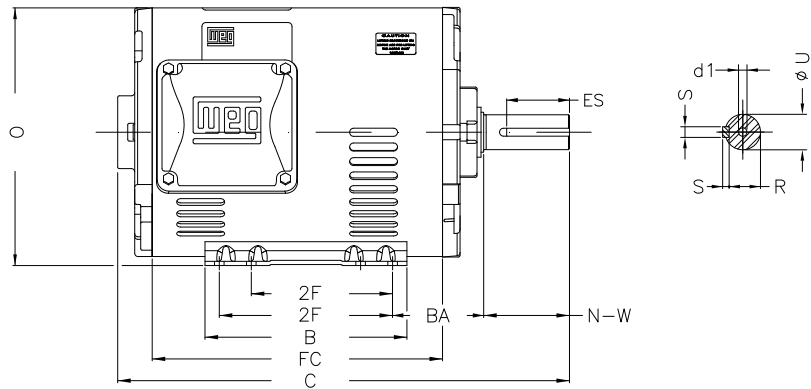
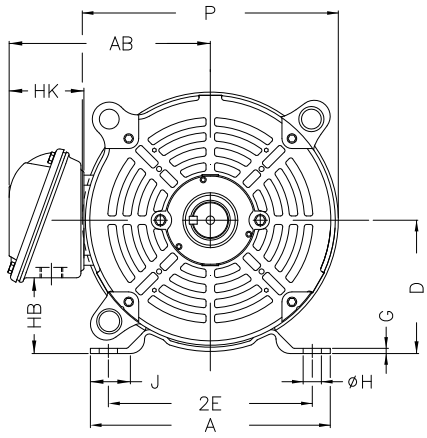
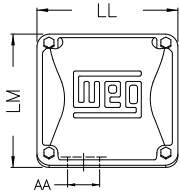
B

C

D

E

F



Notes: Downloaded from <http://dealerselectric.com>  
Generated for Model #007180T3E213T-SG

Performed by:

Checked:

Customer:

W01 (Rolled Steel) General Purpose ODP

Three-phase induction motor  
Frame 213/5T - ODP

13-SEP-2016



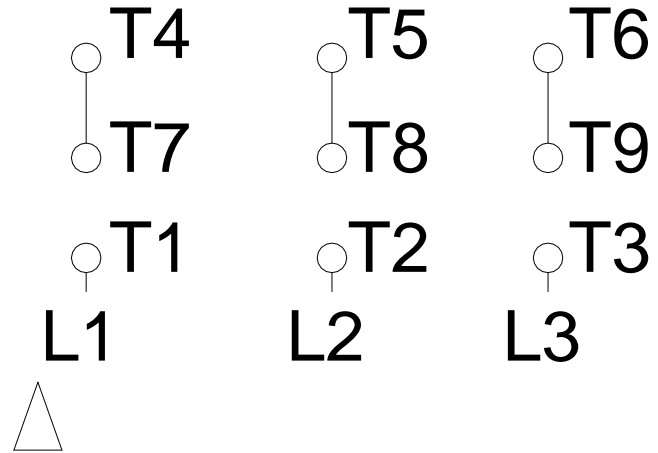
P	AB	J	2E	A
9.846	7.973	1.575	8.500	9.449
H	G	HB	HK	T
0.406	0.167	2.982	3.022	0.029
O	FC	2F	B	C
10.144	10.236	5.500/7.000	7.953	16.575
BA	N-W	ES	d1	S
3.500	3.380	2.480	A 4	0.313
U	AA	depth	R	LL
1.375	1.377"	0.313	1.203	5.551
LM	BB	D	CH	
5.250	0.029	5.250	1.929	

1 2 3 4 5 6 7 8

# LOW VOLTAGE

# HIGH VOLTAGE

A  
B  
C  
D  
E  
F



Notes: Downloaded from <http://dealerselectric.com>  
Generated for Model #007180T3E213T-SG

Performed by:

Checked:

Customer:

W01 (Rolled Steel) General Purpose ODP

Three-phase induction motor  
Frame 213/5T - IP21

13-SEP-2016

