



# Dealers Industrial Equipment

No.:

Date: 13-SEP-2016

Customer :

## TECHNICAL PROPOSAL

### Three-phase induction motor - Squirrel cage rotor

Product line : Close Coupled Pump : Three-Phase - "JM" Type - ODP - High Efficiency - Vertical Motors

Catalog Number : 00718OP3E213JMV

List Price : \$1,106

#### Notes:

Downloaded from <http://dealerselectric.com>

Generated for Model #00718OP3E213JMV

Performed by:

Checked:



# Dealers Industrial Equipment

No.:

Date: 13-SEP-2016

## DATA SHEET Three-phase induction motor - Squirrel cage rotor

Customer :  
 Product line : Close Coupled Pump : Three-Phase - "JM" Type - ODP - High Efficiency - Vertical Motors

Frame : 213/5JM  
 Output : 7.5 HP  
 Frequency : 60 Hz  
 Poles : 4  
 Full load speed : 1755 rpm  
 Slip : 2.50 %  
 Voltage : 230/460 V  
 Rated current : 18.8/9.40 A  
 Locked rotor current : 126/63.0 A  
 Locked rotor current (I<sub>L</sub>/I<sub>n</sub>) : 6.7  
 No-load current : 8.20/4.10 A  
 Full load torque : 22.1 lb.ft  
 Locked rotor torque : 180 %  
 Breakdown torque : 250 %  
 Design : B  
 Insulation class : F  
 Temperature rise : 80 K  
 Locked rotor time : 8 s (hot)  
 Service factor : 1.15  
 Duty cycle : S1  
 Ambient temperature : -20°C - +40°C  
 Altitude : 1000 m  
 Degree of Protection : IP21  
 Approximate weight : 72 lb  
 Moment of inertia : 0.91977 sq.ft.lb  
 Noise level : ---

	D.E.	N.D.E.
Bearings	6209 ZZ	6206 ZZ
Regreasing interval	---	---
Grease amount	---	---

Load	Power factor	Efficiency (%)
100%	0.83	88.5
75%	0.78	88.5
50%	0.68	87.5

Notes:  
 Downloaded from <http://dealerselectric.com>  
 Generated for Model #00718OP3E213JMV

Performed by

Checked



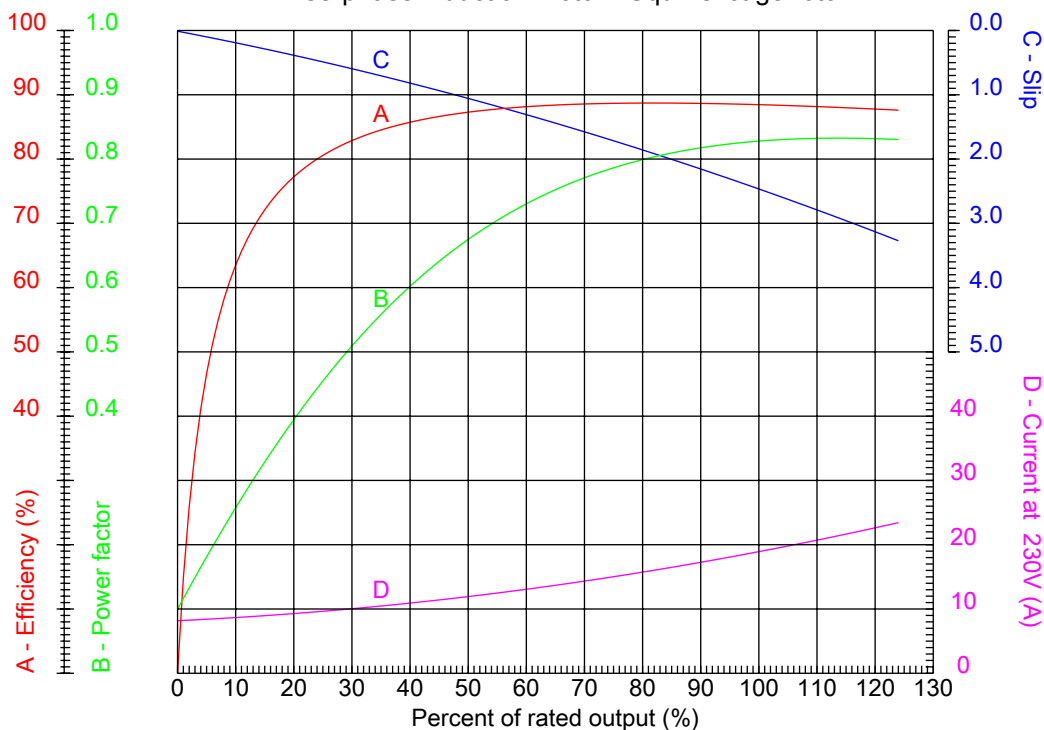
# Dealers Industrial Equipment

No.:

Date: 13-SEP-2016

## PERFORMANCE CURVES RELATED TO RATED OUTPUT

Three-phase induction motor - Squirrel cage rotor



Customer :  
 Product line : Close Coupled Pump : Three-Phase - "JM" Type - ODP - High Efficiency - Vertical Motors

Frame	: 213/5JM	Locked rotor current (I <sub>l</sub> /I <sub>n</sub> )	: 6.7
Output	: 7.5 HP	Duty cycle	: S1
Frequency	: 60 Hz	Service factor	: 1.15
Full load speed	: 1755 rpm	Design	: B
Voltage	: 230/460 V	Locked rotor torque	: 180 %
Rated current	: 18.8/9.40 A	Breakdown torque	: 250 %
Insulation class	: F		

Notes:  
 Downloaded from <http://dealerselectric.com>  
 Generated for Model #00718OP3E213JMV

Performed by

Checked



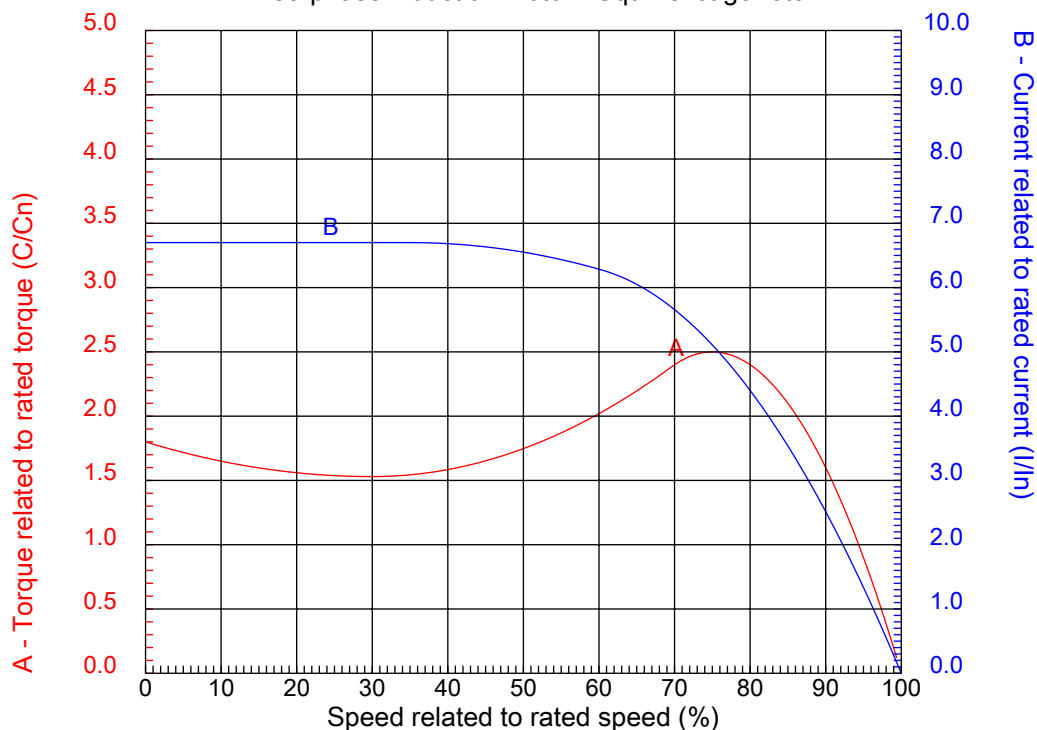
# Dealers Industrial Equipment

No.:

Date: 13-SEP-2016

## CHARACTERISTIC CURVES RELATED TO SPEED

Three-phase induction motor - Squirrel cage rotor



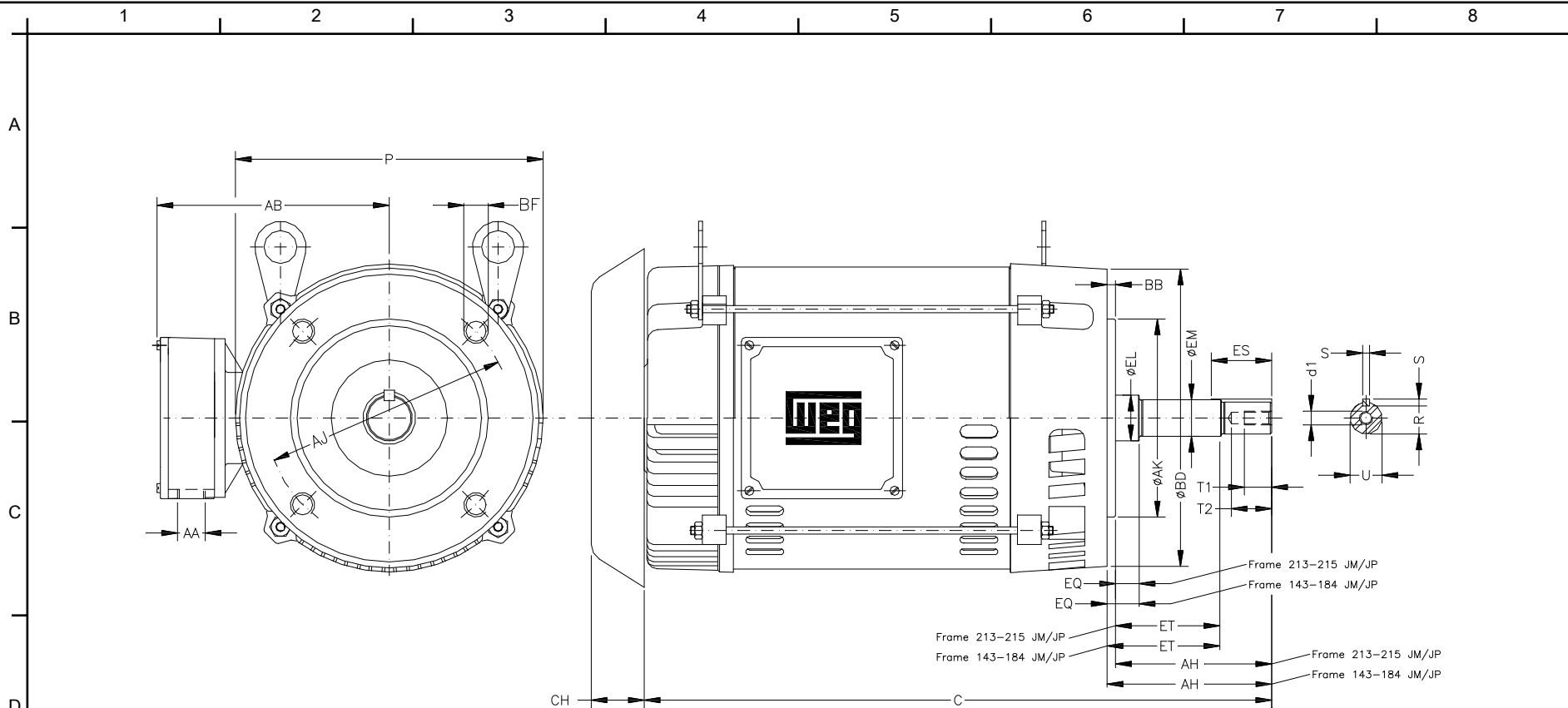
Customer :  
Product line : Close Coupled Pump : Three-Phase - "JM" Type - ODP - High Efficiency - Vertical Motors

Frame	: 213/5JM	Locked rotor current (I <sub>l</sub> /I <sub>n</sub> )	: 6.7
Output	: 7.5 HP	Duty cycle	: S1
Frequency	: 60 Hz	Service factor	: 1.15
Full load speed	: 1755 rpm	Design	: B
Voltage	: 230/460 V	Locked rotor torque	: 180 %
Rated current	: 18.8/9.40 A	Breakdown torque	: 250 %
Insulation class	: F		

Notes:  
Downloaded from <http://dealerselectric.com>  
Generated for Model #00718OP3E213JMV

Performed by

Checked



Notes: Downloaded from <http://dealerselectric.com>  
 Generated for Model #007180P3E213JMV

Performed by:

Checked:

Customer:

Close Coupled Pump : Three-Phase - "JM" Type - ODP - High Efficiency -

P	AB	EQ	ET	U
8.779	8.149	0.630	2.880	0.874
EM	EL	S	EP	R
1.000	1.250	0.187	1.769	0.768
ES	d1	t1	t2	C
1.575	EUNC 3/8"-16	0.748	1.102	17.323
Flange	AJ	AK	BD	BF
FC-184	7.250	8.500	8.858	UNC 1/2"x13
BB	AH			
0.250	4.258			

Three-phase induction motor  
 Frame 213/5JM - IP21

13-SEP-2016

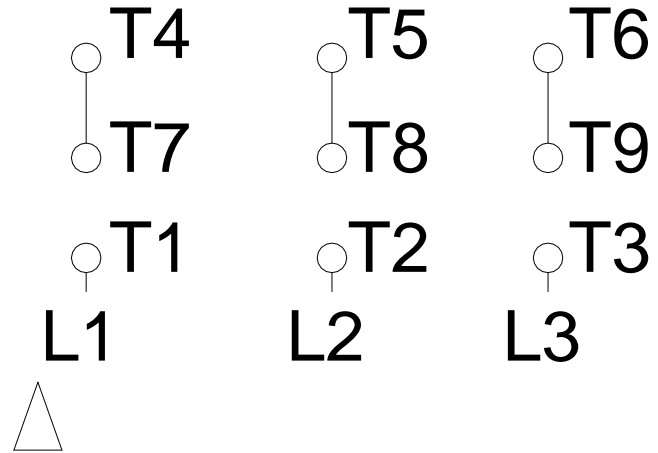


1 2 3 4 5 6 7 8

# LOW VOLTAGE

# HIGH VOLTAGE

A  
B  
C  
D  
E  
F



Notes: Downloaded from <http://dealerselectric.com>  
 Generated for Model #00718OP3E213JMV

Performed by:

Checked:

Customer:

Close Coupled Pump : Three-Phase - "JM" Type - ODP - High Efficiency -

Three-phase induction motor  
 Frame 213/5JM - IP21

13-SEP-2016

