



Dealers Industrial Equipment

No.:

Date: 13-SEP-2016

Customer :

TECHNICAL PROPOSAL

Three-phase induction motor - Squirrel cage rotor

Product line : Three-Phase: W21 IE3 IEC Tru-Metric - TEFC (IP55) Multi-Mounting Aluminum Frame
Catalog Number : 00718ET3YAL132M
List Price : \$1,110

Notes:

Downloaded from <http://dealerselectric.com>
Generated for Model #00718ET3YAL132M

Performed by:

Checked:



Dealers Industrial Equipment

No.:

Date: 13-SEP-2016

DATA SHEET Three-phase induction motor - Squirrel cage rotor

Customer :
 Product line : Three-Phase: W21 IE3 IEC Tru-Metric - TEFC (IP55) Multi-Mounting Aluminum Frame

Frame : 132M
 Output : 10 HP
 Frequency : 60 Hz
 Poles : 4
 Full load speed : 1770 rpm
 Slip : 1.67 %
 Voltage : 460 V
 Rated current : 12.2 A
 Locked rotor current : 110 A
 Locked rotor current (I_L/I_n) : 9.0
 No-load current : 6.30 A
 Full load torque : 29.3 lb.ft
 Locked rotor torque : 270 %
 Breakdown torque : 430 %
 Design : ---
 Insulation class : F
 Temperature rise : 80 K
 Locked rotor time : 16 s (hot)
 Service factor : 1.25
 Duty cycle : S1
 Ambient temperature : -20°C - +40°C
 Altitude : 1000 m
 Degree of Protection : IP55
 Approximate weight : 154 lb
 Moment of inertia : 1.5235 sq.ft.lb
 Noise level : 56 dB(A)

	D.E.	N.D.E.	Load	Power factor	Efficiency (%)
Bearings	6308 ZZ	6207 ZZ	100%	0.83	91.7
Regreasing interval	---	---	75%	0.77	91.0
Grease amount	---	---	50%	0.65	90.2

Notes:
 Downloaded from <http://dealerselectric.com>
 Generated for Model #00718ET3YAL132M

Performed by

Checked

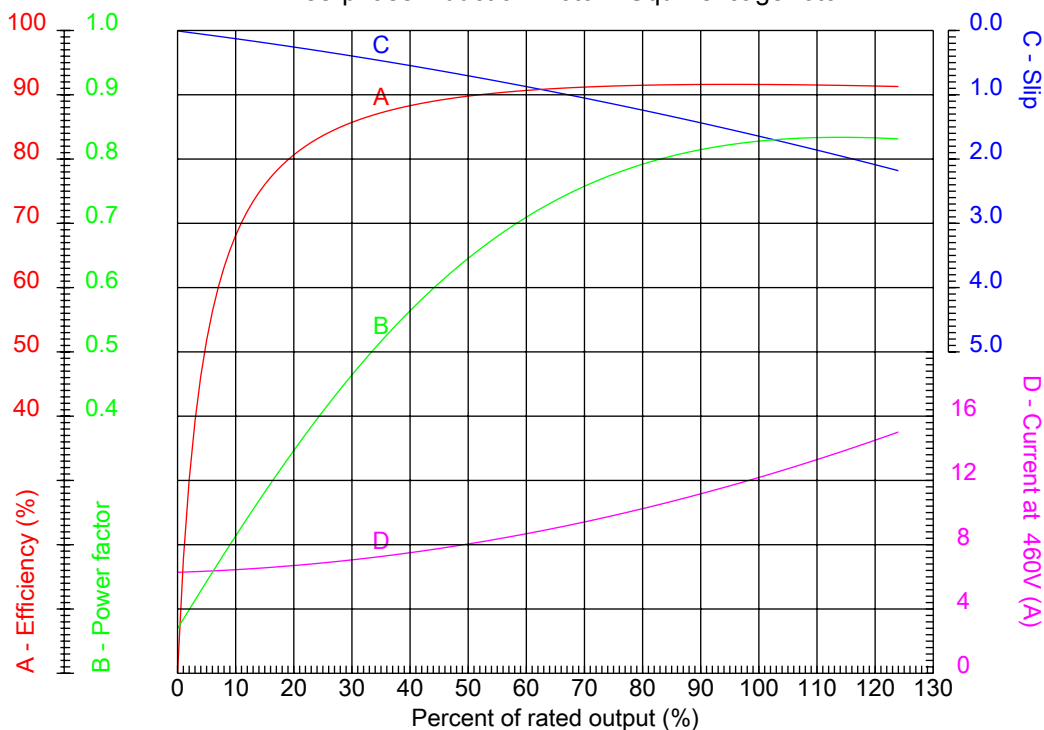


Dealers Industrial Equipment

No.:

Date: 13-SEP-2016

PERFORMANCE CURVES RELATED TO RATED OUTPUT Three-phase induction motor - Squirrel cage rotor



Customer :
 Product line : Three-Phase: W21 IE3 IEC Tru-Metric - TEFC (IP55) Multi-Mounting Aluminum Frame

Frame	: 132M	Locked rotor current (I _L /I _n)	: 9.0
Output	: 10 HP	Duty cycle	: S1
Frequency	: 60 Hz	Service factor	: 1.25
Full load speed	: 1770 rpm	Design	: ---
Voltage	: 460 V	Locked rotor torque	: 270 %
Rated current	: 12.2 A	Breakdown torque	: 430 %
Insulation class	: F		

Notes:
 Downloaded from <http://dealerselectric.com>
 Generated for Model #00718ET3YAL132M

Performed by

Checked



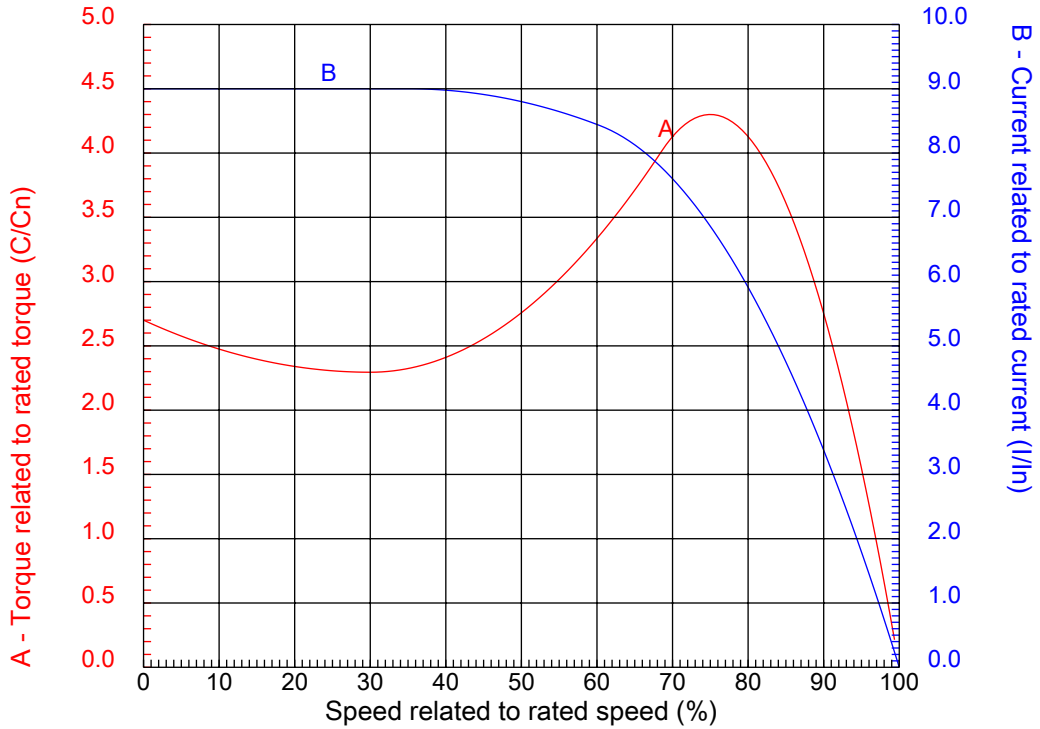
Dealers Industrial Equipment

No.:

Date: 13-SEP-2016

CHARACTERISTIC CURVES RELATED TO SPEED

Three-phase induction motor - Squirrel cage rotor



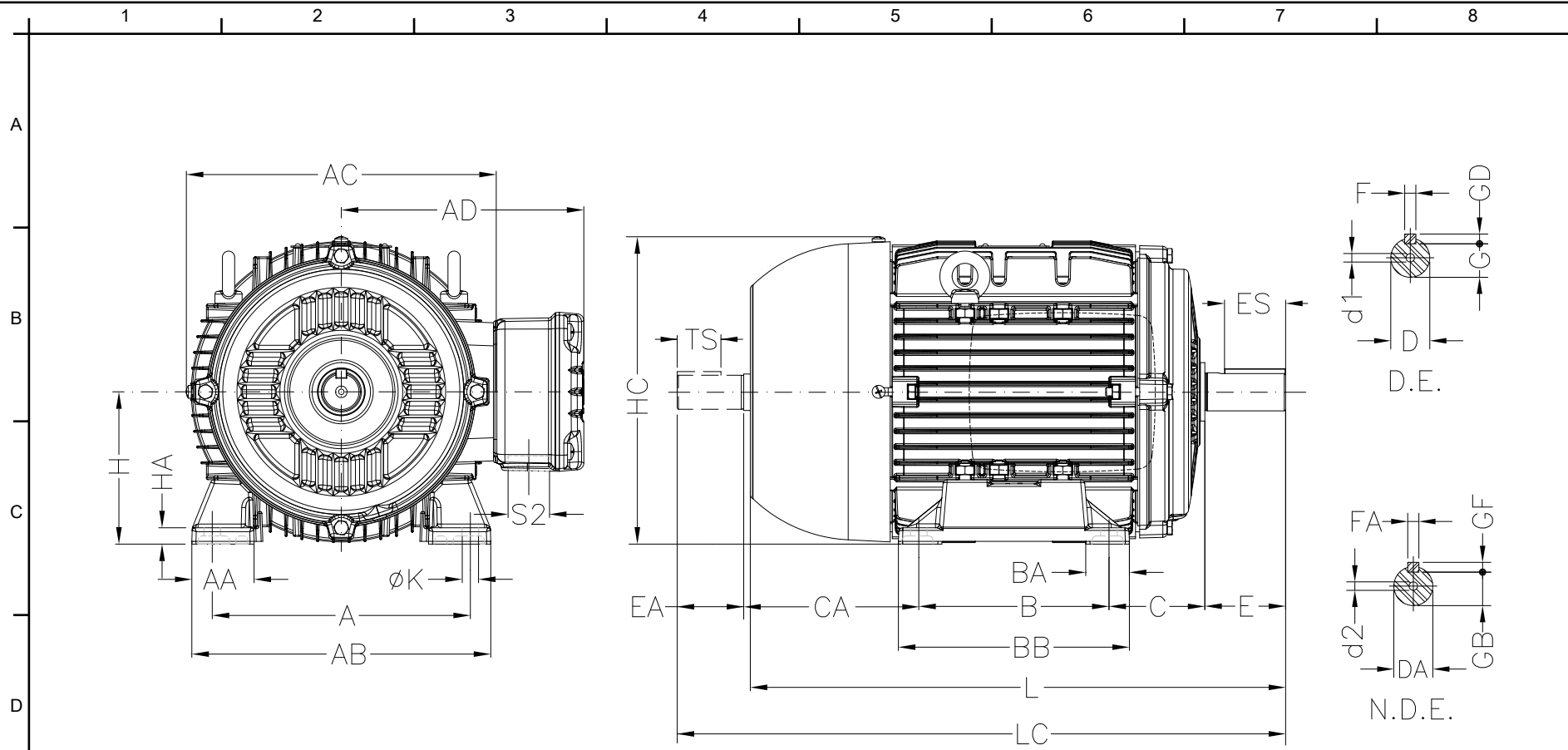
Customer	:	
Product line	:	Three-Phase: W21 IE3 IEC Tru-Metric - TEFC (IP55) Multi-Mounting Aluminum Frame

Frame	:	132M	Locked rotor current (I _L /I _n)	:	9.0
Output	:	10 HP	Duty cycle	:	S1
Frequency	:	60 Hz	Service factor	:	1.25
Full load speed	:	1770 rpm	Design	:	---
Voltage	:	460 V	Locked rotor torque	:	270 %
Rated current	:	12.2 A	Breakdown torque	:	430 %
Insulation class	:	F			

Notes:
 Downloaded from <http://dealerselectric.com>
 Generated for Model #00718ET3YAL132M

Performed by

Checked



Notes: Downloaded from <http://dealerselectric.com>
 Generated for Model #00718ET3YAL132M

A	AA	AB	AC	AD
216	44	248	270	205
B	BA	BB	C	CA
178	37	210	89	150
D	E	ES	F	G
38j6	80	63	10	33
GD	DA	EA	TS	FA
8	28j6	60	45	8
GB	GF	H	HA	HC
24	7	132	12	274
HD	K	L	LC	S2
360	12	490	557	2xM32x1,5
d1	d2			
DM12	DM10			

Performed by:	
Checked:	
Customer:	
Three-Phase: W21 IE3 IEC Tru-Metric - TEFC (IP55) Multi-Mounting Aluminum	
Three-phase induction motor Frame 132M - IP55	13-SEP-2016



1 2 3 4 5 6 7 8

LOW VOLTAGE

HIGH VOLTAGE

A
B
C
D
E
F



Notes: Downloaded from http://dealerselectric.com Generated for Model #00718ET3YAL132M		
Performed by:		
Checked:		
Customer:		
Three-Phase: W21 IE3 IEC Tru-Metric - TEFC (IP55) Multi-Mounting Aluminum		
Three-phase induction motor Frame 132M - IP55	13-SEP-2016	