



Dealers Industrial Equipment

No.:

Date: 13-SEP-2016

Customer :

TECHNICAL PROPOSAL

Three-phase induction motor - Squirrel cage rotor

Product line : Three-Phase: W22 IE3 IEC Tru-Metric - TEFC (IP55) Cast Iron Frame

Catalog Number : 00718ET3Y132M-W22

List Price : \$1,135

Notes:

Downloaded from <http://dealerselectric.com>

Generated for Model #00718ET3Y132M-W22

Performed by:

Checked:



# Dealers Industrial Equipment

No.:

Date: 13-SEP-2016

## DATA SHEET Three-phase induction motor - Squirrel cage rotor

Customer :  
 Product line : Three-Phase: W22 IE3 IEC Tru-Metric - TEFC (IP55) Cast Iron Frame

Frame : 132M  
 Output : 10 HP  
 Frequency : 60 Hz  
 Poles : 4  
 Full load speed : 1770 rpm  
 Slip : 1.67 %  
 Voltage : 460 V  
 Rated current : 12.2 A  
 Locked rotor current : 110 A  
 Locked rotor current (I<sub>L</sub>/I<sub>n</sub>) : 9.0  
 No-load current : 6.30 A  
 Full load torque : 29.3 lb.ft  
 Locked rotor torque : 270 %  
 Breakdown torque : 430 %  
 Design : ---  
 Insulation class : F  
 Temperature rise : 80 K  
 Locked rotor time : 16 s (hot)  
 Service factor : 1.25  
 Duty cycle : S1  
 Ambient temperature : -20°C - +40°C  
 Altitude : 1000 m  
 Degree of Protection : IP55  
 Approximate weight : 172 lb  
 Moment of inertia : 1.5235 sq.ft.lb  
 Noise level : 56 dB(A)

	D.E.	N.D.E.
Bearings	6308 ZZ	6207 ZZ
Regreasing interval	---	---
Grease amount	---	---

Load	Power factor	Efficiency (%)
100%	0.83	91.7
75%	0.77	91.0
50%	0.65	90.2

Notes:  
 Downloaded from <http://dealerselectric.com>  
 Generated for Model #00718ET3Y132M-W22

Performed by

Checked



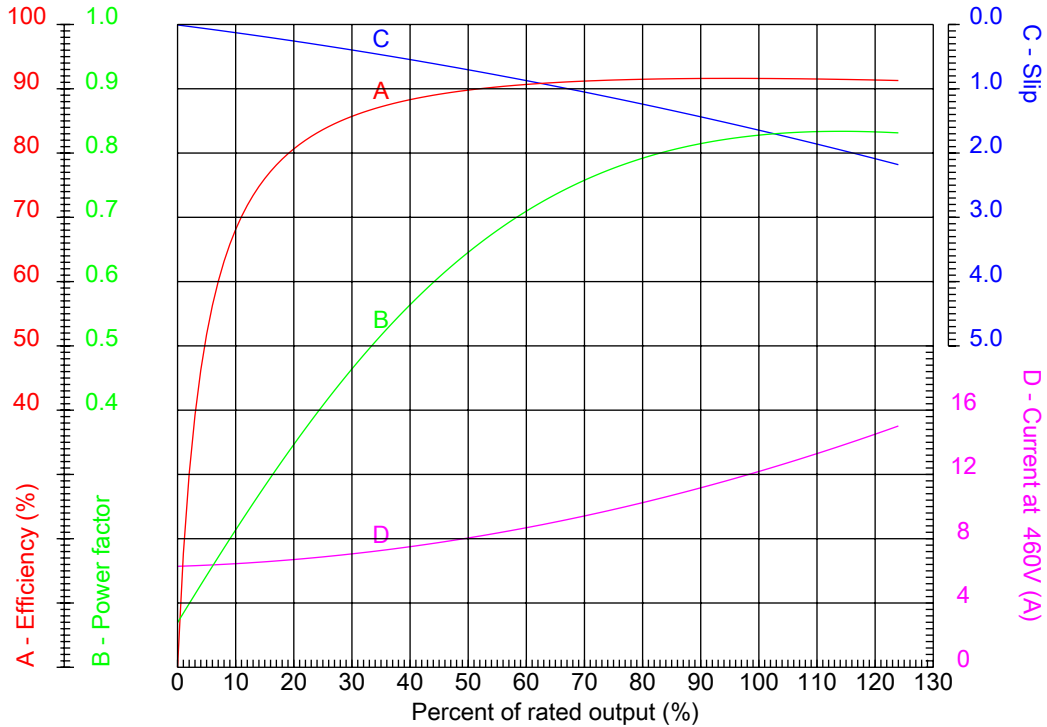
# Dealers Industrial Equipment

No.:

Date: 13-SEP-2016

## PERFORMANCE CURVES RELATED TO RATED OUTPUT

Three-phase induction motor - Squirrel cage rotor



Customer :  
 Product line : Three-Phase: W22 IE3 IEC Tru-Metric - TEFC (IP55) Cast Iron Frame

Frame : 132M	Locked rotor current (I <sub>l</sub> /I <sub>n</sub> ) : 9.0
Output : 10 HP	Duty cycle : S1
Frequency : 60 Hz	Service factor : 1.25
Full load speed : 1770 rpm	Design : ---
Voltage : 460 V	Locked rotor torque : 270 %
Rated current : 12.2 A	Breakdown torque : 430 %
Insulation class : F	

Notes:  
 Downloaded from <http://dealerselectric.com>  
 Generated for Model #00718ET3Y132M-W22

Performed by

Checked



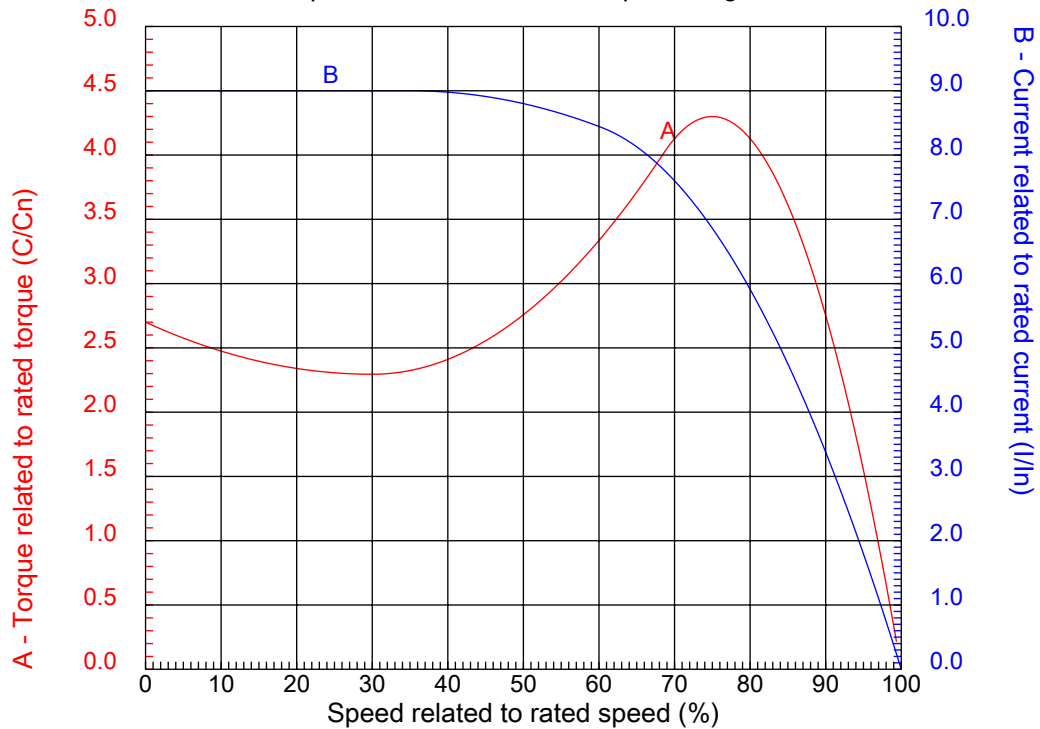
# Dealers Industrial Equipment

No.:

Date: 13-SEP-2016

## CHARACTERISTIC CURVES RELATED TO SPEED

Three-phase induction motor - Squirrel cage rotor



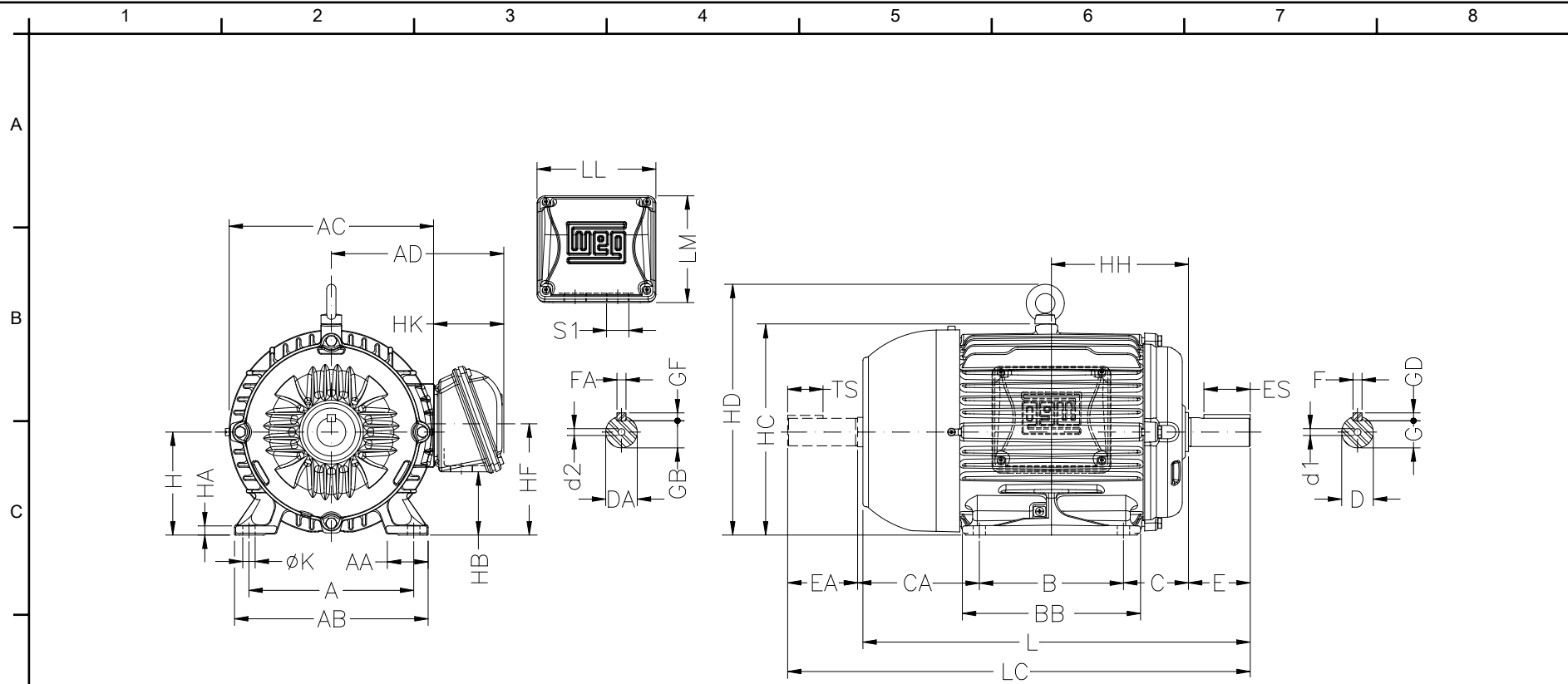
Customer :  
Product line : Three-Phase: W22 IE3 IEC Tru-Metric - TEFC (IP55) Cast Iron Frame

Frame	: 132M	Locked rotor current (I <sub>l</sub> /I <sub>n</sub> )	: 9.0
Output	: 10 HP	Duty cycle	: S1
Frequency	: 60 Hz	Service factor	: 1.25
Full load speed	: 1770 rpm	Design	: ---
Voltage	: 460 V	Locked rotor torque	: 270 %
Rated current	: 12.2 A	Breakdown torque	: 430 %
Insulation class	: F		

Notes:  
Downloaded from <http://dealerselectric.com>  
Generated for Model #00718ET3Y132M-W22

Performed by

Checked



Notes: Downloaded from <http://dealerselectric.com>  
 Generated for Model #00718ET3Y132M-W22

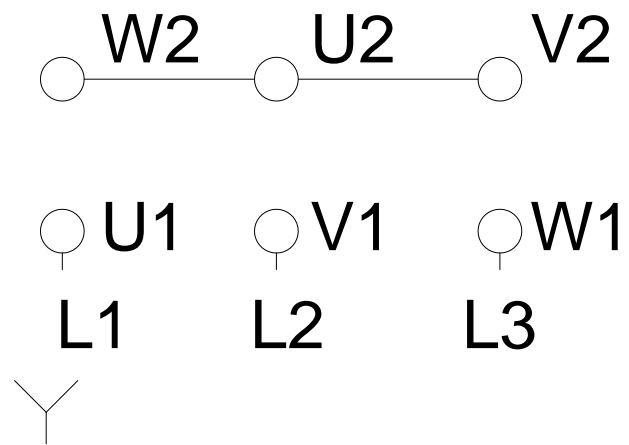
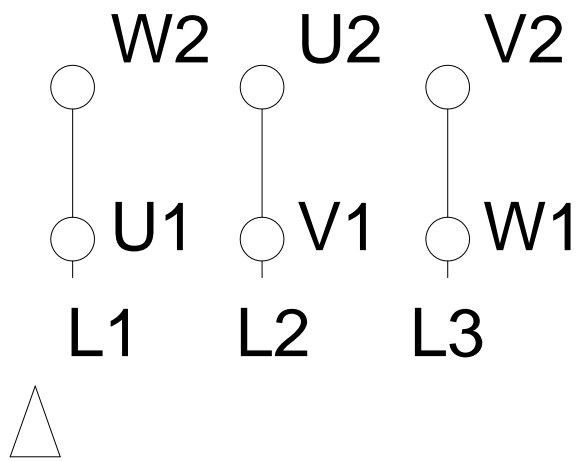
A	AA	AB	AC	AD
216	45	248	274	220
B	BB	C	CA	D
178	225	89	150	38k6
E	ES	F	G	GD
80	63	10	33	8
DA	EA	TS	FA	GB
28j6	60	45	8	24
GF	H	HA	HC	HD
7	132	17	274	319
K	L	LC	S1	d1
12	489	557	2xM32x1.5	DM12
d2				
DM10				

Performed by:	
Checked:	
Customer:	
Three-Phase: W22 IE3 IEC Tru-Metric - TEFC (IP55) Cast Iron Frame	
Three-phase induction motor Frame 132M - IP55	13-SEP-2016



# LOW VOLTAGE

# HIGH VOLTAGE



Notes: Downloaded from <http://dealerselectric.com>  
Generated for Model #00718ET3Y132M-W22

Performed by:

Checked:

Customer:

Three-Phase: W22 IE3 IEC Tru-Metric - TEFC (IP55) Cast Iron Frame

Three-phase induction motor  
Frame 132M - IP55

13-SEP-2016

