



Dealers Industrial Equipment

No.:

Date: 13-SEP-2016

Customer :

TECHNICAL PROPOSAL

Three-phase induction motor - Squirrel cage rotor

Product line : W22 Cooling Tower Motors: NEMA Premium - TEFC

Catalog Number : 00718ET3HCT213TF1-W2

List Price : \$1,293

Notes:

Downloaded from <http://dealerselectric.com>

Generated for Model #00718ET3HCT213TF1-W2

Performed by:

Checked:



Dealers Industrial Equipment

No.:

Date: 13-SEP-2016

DATA SHEET Three-phase induction motor - Squirrel cage rotor

Customer :
 Product line : W22 Cooling Tower Motors: NEMA Premium - TEFC

Frame : 213T
 Output : 7.5 HP
 Frequency : 60 Hz
 Poles : 4
 Full load speed : 1765 rpm
 Slip : 1.94 %
 Voltage : 575 V
 Rated current : 7.34 A
 Locked rotor current : 52.1 A
 Locked rotor current (I_L/I_n) : 7.1
 No-load current : 3.24 A
 Full load torque : 22.0 lb.ft
 Locked rotor torque : 220 %
 Breakdown torque : 310 %
 Design : B
 Insulation class : F
 Temperature rise : 80 K
 Locked rotor time : 20 s (hot)
 Service factor : 1.25
 Duty cycle : S1
 Ambient temperature : -20°C - +40°C
 Altitude : 1000 m
 Degree of Protection : IP55
 Approximate weight : 154 lb
 Moment of inertia : 1.3436 sq.ft.lb
 Noise level : 58 dB(A)

	D.E.	N.D.E.
Bearings	6308 2RS	6207 2RS
Regreasing interval	---	---
Grease amount	---	---

Load	Power factor	Efficiency (%)
100%	0.82	91.7
75%	0.76	91.0
50%	0.66	89.5

Notes:

Downloaded from <http://dealerselectric.com>
 Generated for Model #00718ET3HCT213TF1-W2

Performed by

Checked



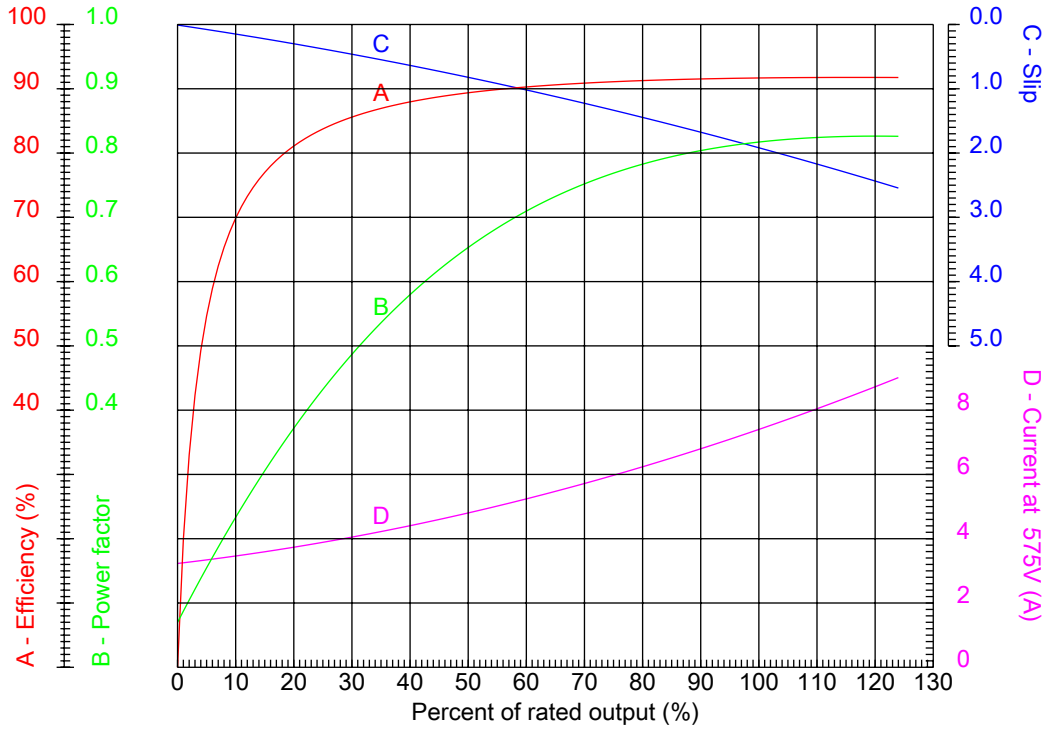
Dealers Industrial Equipment

No.:

Date: 13-SEP-2016

PERFORMANCE CURVES RELATED TO RATED OUTPUT

Three-phase induction motor - Squirrel cage rotor



Customer :
 Product line : W22 Cooling Tower Motors: NEMA Premium - TEFC

Frame : 213T	Locked rotor current (I _L /I _n) : 7.1
Output : 7.5 HP	Duty cycle : S1
Frequency : 60 Hz	Service factor : 1.25
Full load speed : 1765 rpm	Design : B
Voltage : 575 V	Locked rotor torque : 220 %
Rated current : 7.34 A	Breakdown torque : 310 %
Insulation class : F	

Notes:
 Downloaded from <http://dealerselectric.com>
 Generated for Model #00718ET3HCT213TF1-W2

Performed by

Checked



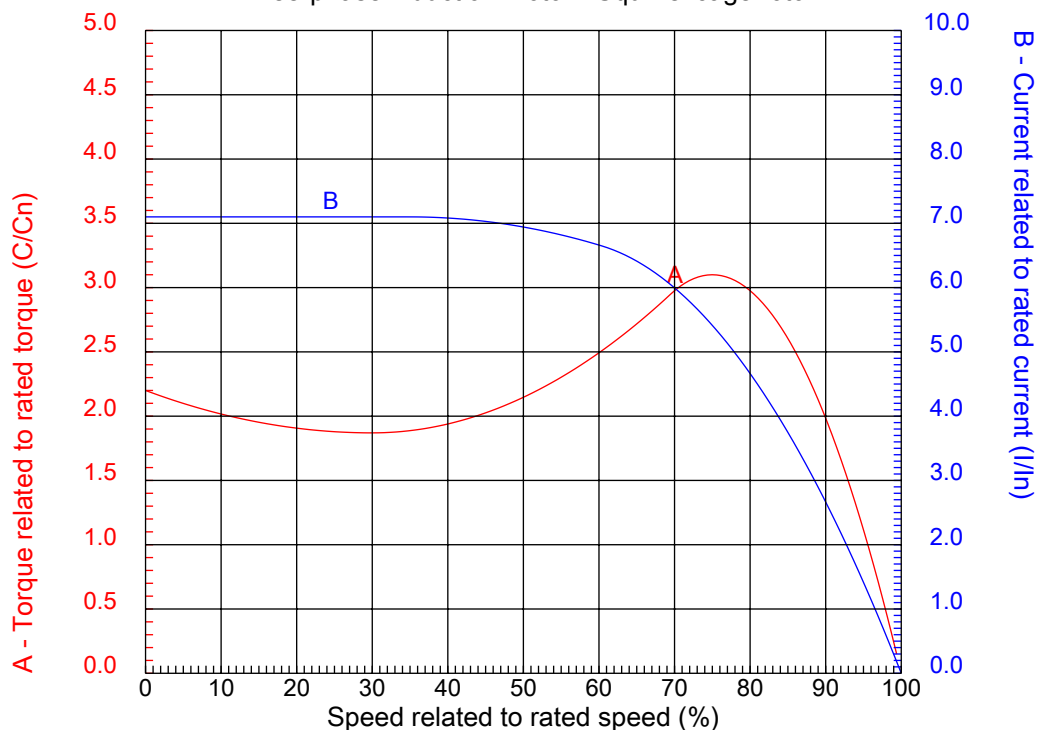
Dealers Industrial Equipment

No.:

Date: 13-SEP-2016

CHARACTERISTIC CURVES RELATED TO SPEED

Three-phase induction motor - Squirrel cage rotor



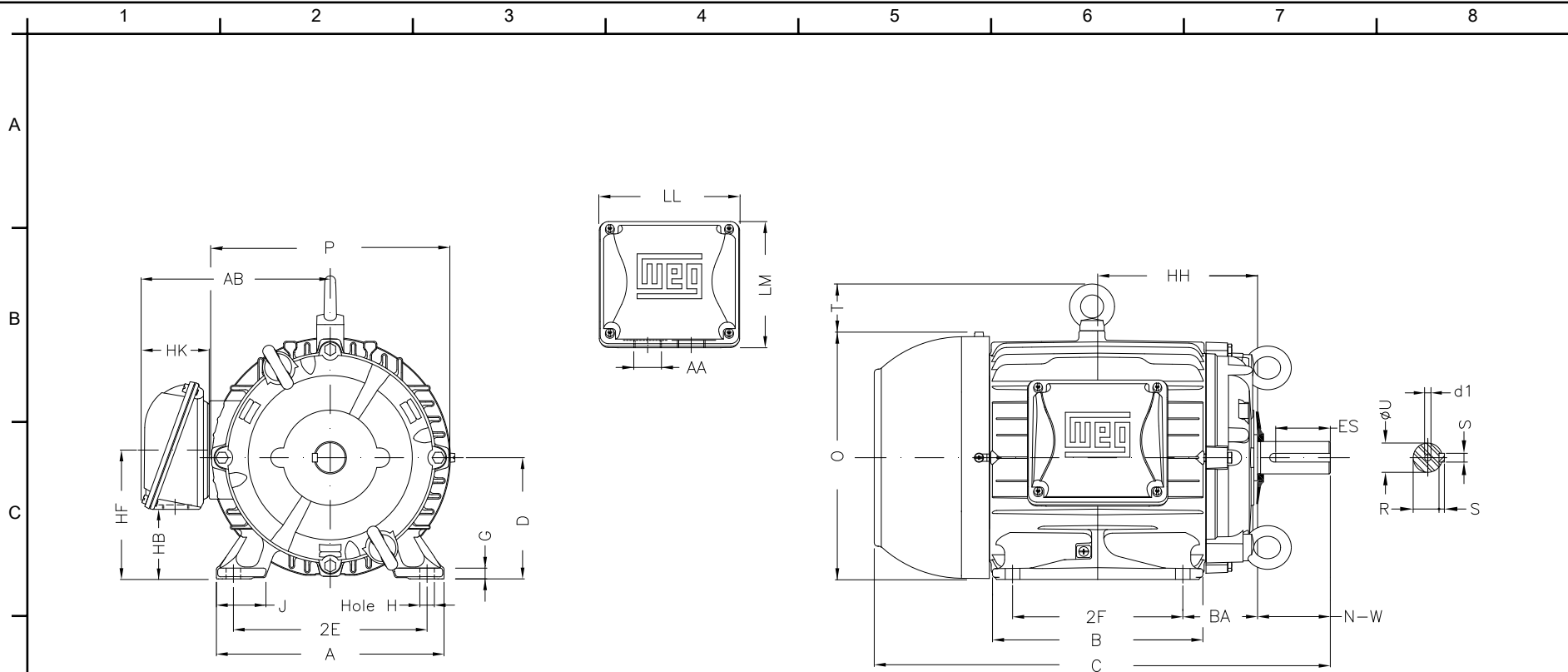
Customer :
Product line : W22 Cooling Tower Motors: NEMA Premium - TEFC

Frame	: 213T	Locked rotor current (I _l /I _n)	: 7.1
Output	: 7.5 HP	Duty cycle	: S1
Frequency	: 60 Hz	Service factor	: 1.25
Full load speed	: 1765 rpm	Design	: B
Voltage	: 575 V	Locked rotor torque	: 220 %
Rated current	: 7.34 A	Breakdown torque	: 310 %
Insulation class	: F		

Notes:
Downloaded from <http://dealerselectric.com>
Generated for Model #00718ET3HCT213TF1-W2

Performed by

Checked



Notes: Downloaded from <http://dealerselectric.com>
 Generated for Model #00718ET3HCT213TF1-W2

Performed by:

Checked:

Customer:

W22 Cooling Tower Motors: NEMA Premium - TEFC

Three-phase induction motor
 Frame 213T - IP55

13-SEP-2016



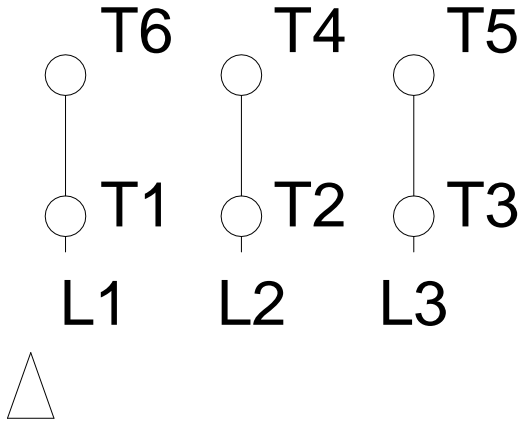
2E	J	A	P	AB
8.500	1.772	9.764	10.669	8.667
2F	K	B	BA	U
5.500	2.165	7.362	3.500	1.375
N-W	ES	S	R	depth
3.375	2.480	0.313	1.203	0.313
D	G	HB	O	T
5.250	0.669	2.985	10.841	1.772
HF	HH	HK	H	C
5.250	6.250	3.150	0.406	18.021
LL	LM	AA	d1	d2
5.512	5.236	NPT 1"	A 4	A 4

1 2 3 4 5 6 7 8

A
B
C
D
E
F

RUN

ONLY FOR START



Notes: Downloaded from http://dealerselectric.com Generated for Model #00718ET3HCT213TF1-W2		
Performed by:		
Checked:		
Customer:		
W22 Cooling Tower Motors: NEMA Premium - TEFC		
Three-phase induction motor Frame 213T - IP55	13-SEP-2016	