



Dealers Industrial Equipment

No.:

Date: 13-SEP-2016

Customer :

TECHNICAL PROPOSAL

Three-phase induction motor - Squirrel cage rotor

Product line : Three Phase: W01 (Rolled Steel) - TEFC - NEMA Premium Efficiency

Catalog Number : 00718ET3ER213TC-S

List Price : \$994

Notes:

Downloaded from <http://dealerselectric.com>

Generated for Model #00718ET3ER213TC-S

Performed by:

Checked:



# Dealers Industrial Equipment

No.:

Date: 13-SEP-2016

## DATA SHEET Three-phase induction motor - Squirrel cage rotor

Customer :  
 Product line : Three Phase: W01 (Rolled Steel) - TEFC - NEMA Premium Efficiency

Frame : 213/5T  
 Output : 7.5 HP  
 Frequency : 60 Hz  
 Poles : 4  
 Full load speed : 1770 rpm  
 Slip : 1.67 %  
 Voltage : 208-230/460 V  
 Rated current : 20.1-18.1/9.07 A  
 Locked rotor current : 132/66.2 A  
 Locked rotor current (I<sub>L</sub>/I<sub>n</sub>) : 7.3  
 No-load current : 8.81/4.41 A  
 Full load torque : 22.0 lb.ft  
 Locked rotor torque : 260 %  
 Breakdown torque : 300 %  
 Design : B  
 Insulation class : F  
 Temperature rise : 80 K  
 Locked rotor time : 22 s (hot)  
 Service factor : 1.15  
 Duty cycle : S1  
 Ambient temperature : -20°C - +40°C  
 Altitude : 1000 m  
 Degree of Protection : IP55  
 Approximate weight : 120 lb  
 Moment of inertia : 0.93805 sq.ft.lb  
 Noise level : 60 dB(A)

	D.E.	N.D.E.
Bearings	6208 ZZ	6206 ZZ
Regreasing interval	---	---
Grease amount	---	---

Load	Power factor	Efficiency (%)
100%	0.82	91.7
75%	0.76	91.0
50%	0.64	90.2

Notes:  
 Downloaded from <http://dealerselectric.com>  
 Generated for Model #00718ET3ER213TC-S

Performed by

Checked



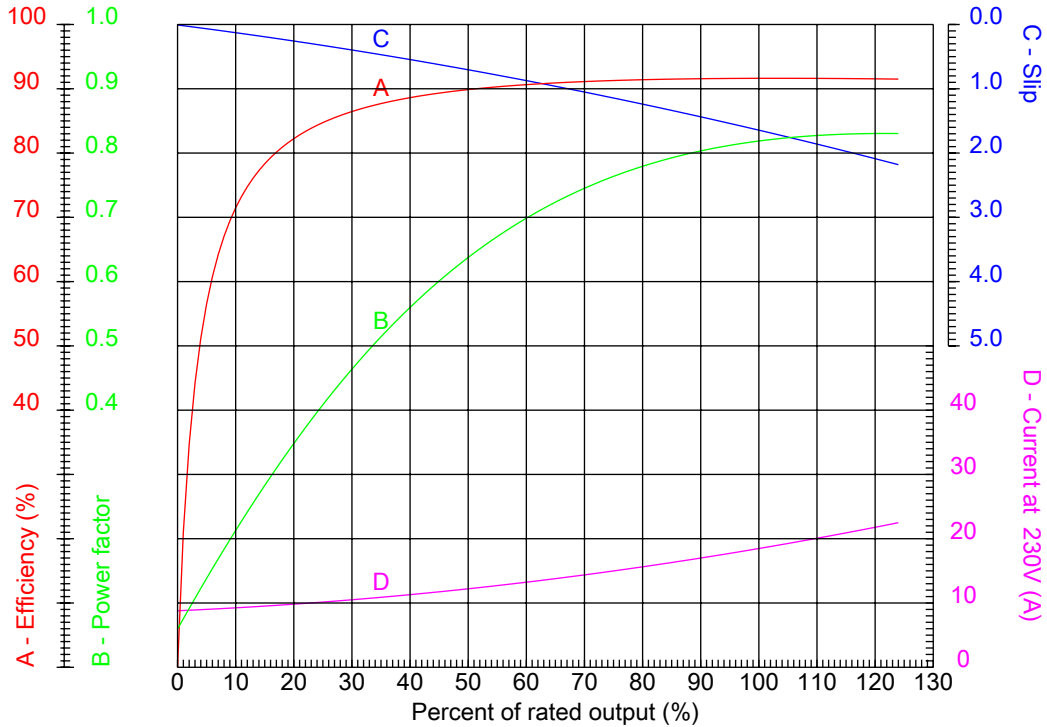
# Dealers Industrial Equipment

No.:

Date: 13-SEP-2016

## PERFORMANCE CURVES RELATED TO RATED OUTPUT

Three-phase induction motor - Squirrel cage rotor



Customer :  
 Product line : Three Phase: W01 (Rolled Steel) - TEFC - NEMA Premium Efficiency

Frame	: 213/5T	Locked rotor current (I <sub>L</sub> /I <sub>n</sub> )	: 7.3
Output	: 7.5 HP	Duty cycle	: S1
Frequency	: 60 Hz	Service factor	: 1.15
Full load speed	: 1770 rpm	Design	: B
Voltage	: 208-230/460 V	Locked rotor torque	: 260 %
Rated current	: 20.1-18.1/9.07 A	Breakdown torque	: 300 %
Insulation class	: F		

Notes:  
 Downloaded from <http://dealerselectric.com>  
 Generated for Model #00718ET3ER213TC-S

Performed by

Checked



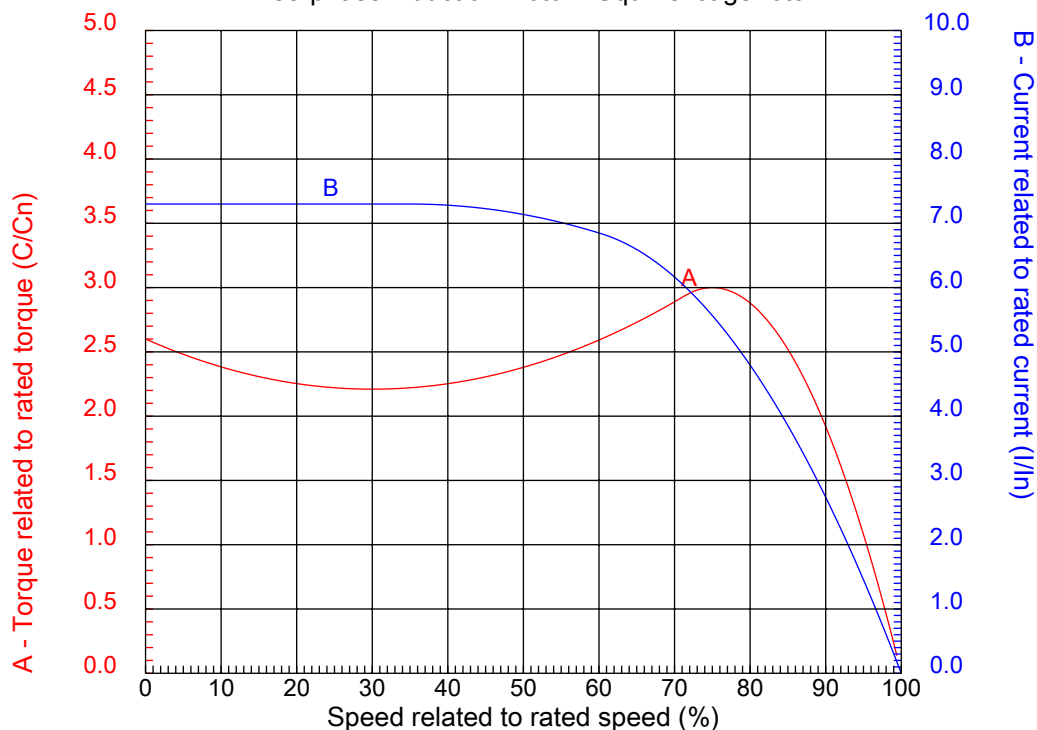
# Dealers Industrial Equipment

No.:

Date: 13-SEP-2016

## CHARACTERISTIC CURVES RELATED TO SPEED

Three-phase induction motor - Squirrel cage rotor



Customer :  
Product line : Three Phase: W01 (Rolled Steel) - TEFC - NEMA Premium Efficiency

Frame	: 213/5T	Locked rotor current (I <sub>l</sub> /I <sub>n</sub> )	: 7.3
Output	: 7.5 HP	Duty cycle	: S1
Frequency	: 60 Hz	Service factor	: 1.15
Full load speed	: 1770 rpm	Design	: B
Voltage	: 208-230/460 V	Locked rotor torque	: 260 %
Rated current	: 20.1-18.1/9.07 A	Breakdown torque	: 300 %
Insulation class	: F		

Notes:  
Downloaded from <http://dealerselectric.com>  
Generated for Model #00718ET3ER213TC-S

Performed by

Checked

1 2 3 4 5 6 7 8

A

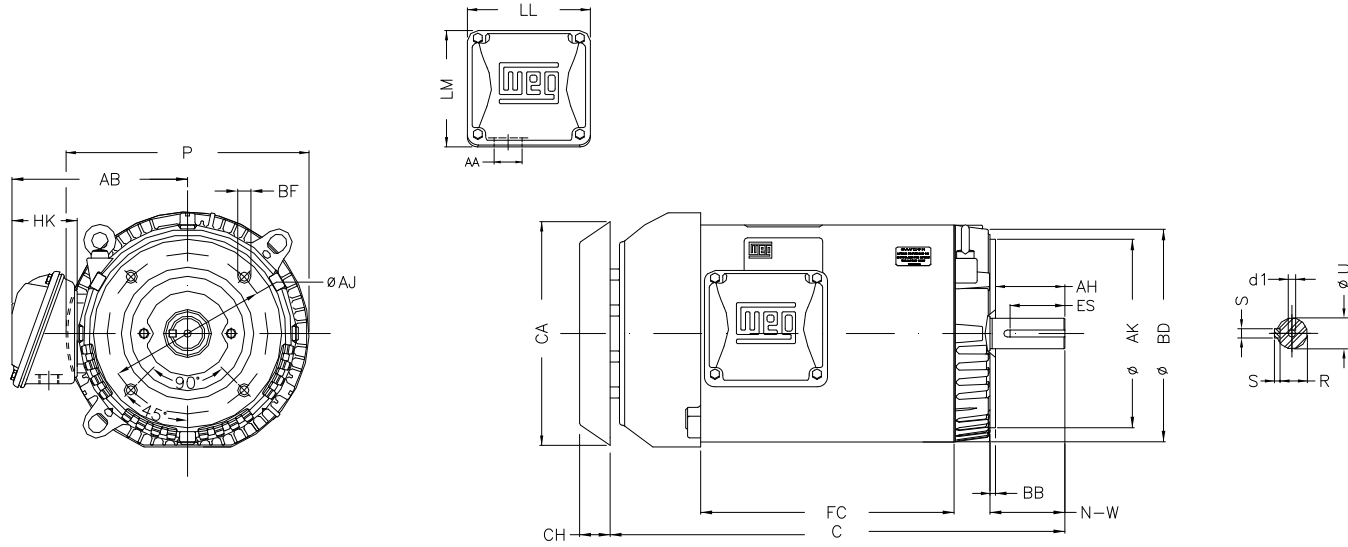
B

C

D

E

F



Notes: Downloaded from <http://dealerselectric.com>  
Generated for Model #00718ET3ER213TC-S

Performed by:

Checked:

Customer:

Three Phase: W01 (Rolled Steel) - TEFC - NEMA Premium Efficiency

Three-phase induction motor  
Frame 213/5T - IP55

13-SEP-2016



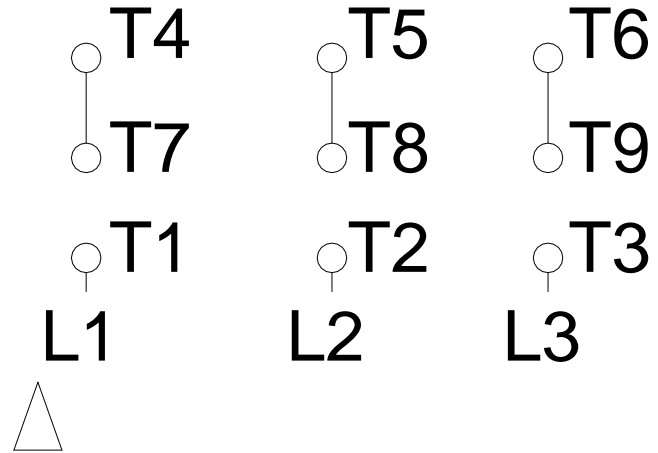
P	AB	HK	FC	C
10.965	7.973	3.022	10.236	18.898
N-W	ES	d1	S	U
3.380	2.480	A 4	0.313	1.375
AA	depth	R	LL	LM
1.377"	0.313	1.203	5.551	5.250
CH	Flange	AJ	AK	BD
1.929	FC-184	7.250	8.500	9.401
BF	BB	AH		
UNC 1/2"x13	0.250	3.129		

1 2 3 4 5 6 7 8

# LOW VOLTAGE

# HIGH VOLTAGE

A  
B  
C  
D  
E  
F



Notes: Downloaded from <http://dealerselectric.com>  
 Generated for Model #00718ET3ER213TC-S

Performed by:

Checked:

Customer:

Three Phase: W01 (Rolled Steel) - TEFC - NEMA Premium Efficiency

Three-phase induction motor  
Frame 213/5T - IP55

13-SEP-2016

