



Dealers Industrial Equipment

No.:

Date: 13-SEP-2016

Customer :

TECHNICAL PROPOSAL

Three-phase induction motor - Squirrel cage rotor

Product line : W22 Cooling Tower Motors: NEMA Premium - TEFC

Catalog Number : 00718ET3ECT213T-W22

List Price : \$1,293

Notes:

Downloaded from <http://dealerselectric.com>

Generated for Model #00718ET3ECT213T-W22

Performed by:

Checked:



Dealers Industrial Equipment

No.:

Date: 13-SEP-2016

DATA SHEET Three-phase induction motor - Squirrel cage rotor

Customer :
Product line : W22 Cooling Tower Motors: NEMA Premium - TEFC

Frame : 213T
Output : 7.5 HP
Frequency : 60 Hz
Poles : 4
Full load speed : 1765 rpm
Slip : 1.94 %
Voltage : 208-230/460 V
Rated current : 19.9-18.4/9.18 A
Locked rotor current : 130/65.2 A
Locked rotor current (I_L/I_n) : 7.1
No-load current : 8.10/4.05 A
Full load torque : 22.0 lb.ft
Locked rotor torque : 220 %
Breakdown torque : 310 %
Design : B
Insulation class : F
Temperature rise : 80 K
Locked rotor time : 20 s (hot)
Service factor : 1.25
Duty cycle : S1
Ambient temperature : -20°C - +40°C
Altitude : 1000 m
Degree of Protection : IP55
Approximate weight : 154 lb
Moment of inertia : 1.3436 sq.ft.lb
Noise level : 58 dB(A)

	D.E.	N.D.E.
Bearings	6308 2RS	6207 2RS
Regreasing interval	---	---
Grease amount	---	---

Load	Power factor	Efficiency (%)
100%	0.82	91.7
75%	0.76	91.0
50%	0.66	89.5

Notes:
Downloaded from <http://dealerselectric.com>
Generated for Model #00718ET3ECT213T-W22

Performed by

Checked



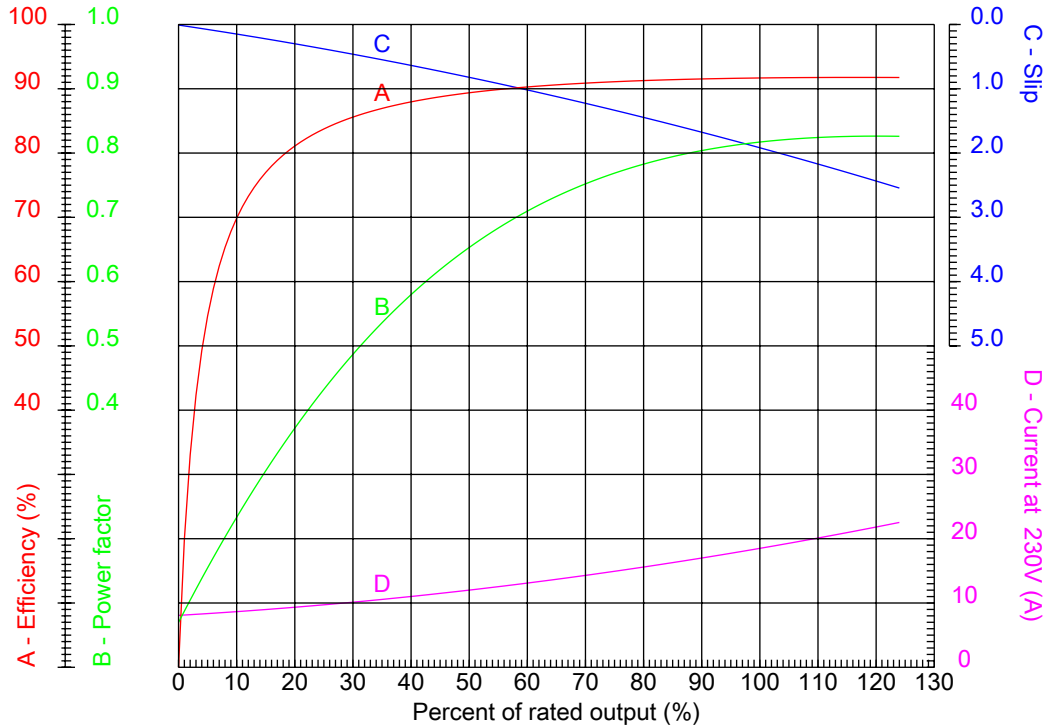
Dealers Industrial Equipment

No.:

Date: 13-SEP-2016

PERFORMANCE CURVES RELATED TO RATED OUTPUT

Three-phase induction motor - Squirrel cage rotor



Customer :
Product line : W22 Cooling Tower Motors: NEMA Premium - TEFC

Frame : 213T	Locked rotor current (I _L /I _n) : 7.1
Output : 7.5 HP	Duty cycle : S1
Frequency : 60 Hz	Service factor : 1.25
Full load speed : 1765 rpm	Design : B
Voltage : 208-230/460 V	Locked rotor torque : 220 %
Rated current : 19.9-18.4/9.18 A	Breakdown torque : 310 %
Insulation class : F	

Notes:
Downloaded from <http://dealerselectric.com>
Generated for Model #00718ET3ECT213T-W22

Performed by

Checked



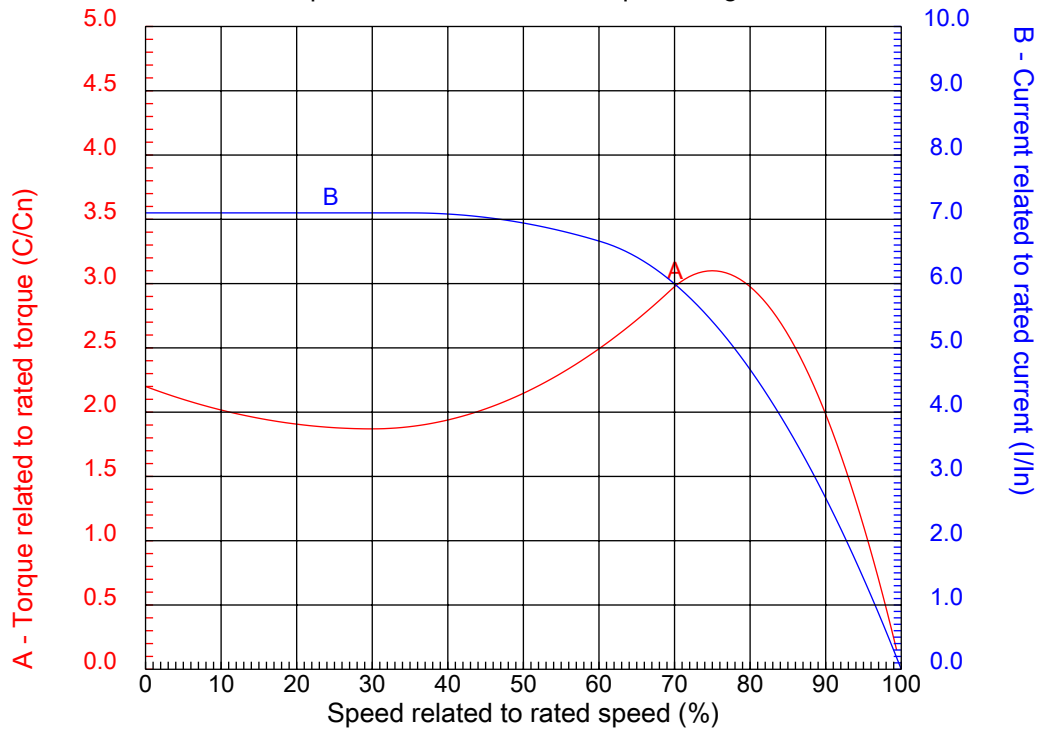
Dealers Industrial Equipment

No.:

Date: 13-SEP-2016

CHARACTERISTIC CURVES RELATED TO SPEED

Three-phase induction motor - Squirrel cage rotor



Customer :
Product line : W22 Cooling Tower Motors: NEMA Premium - TEFC

Frame	: 213T	Locked rotor current (I _l /I _n)	: 7.1
Output	: 7.5 HP	Duty cycle	: S1
Frequency	: 60 Hz	Service factor	: 1.25
Full load speed	: 1765 rpm	Design	: B
Voltage	: 208-230/460 V	Locked rotor torque	: 220 %
Rated current	: 19.9-18.4/9.18 A	Breakdown torque	: 310 %
Insulation class	: F		

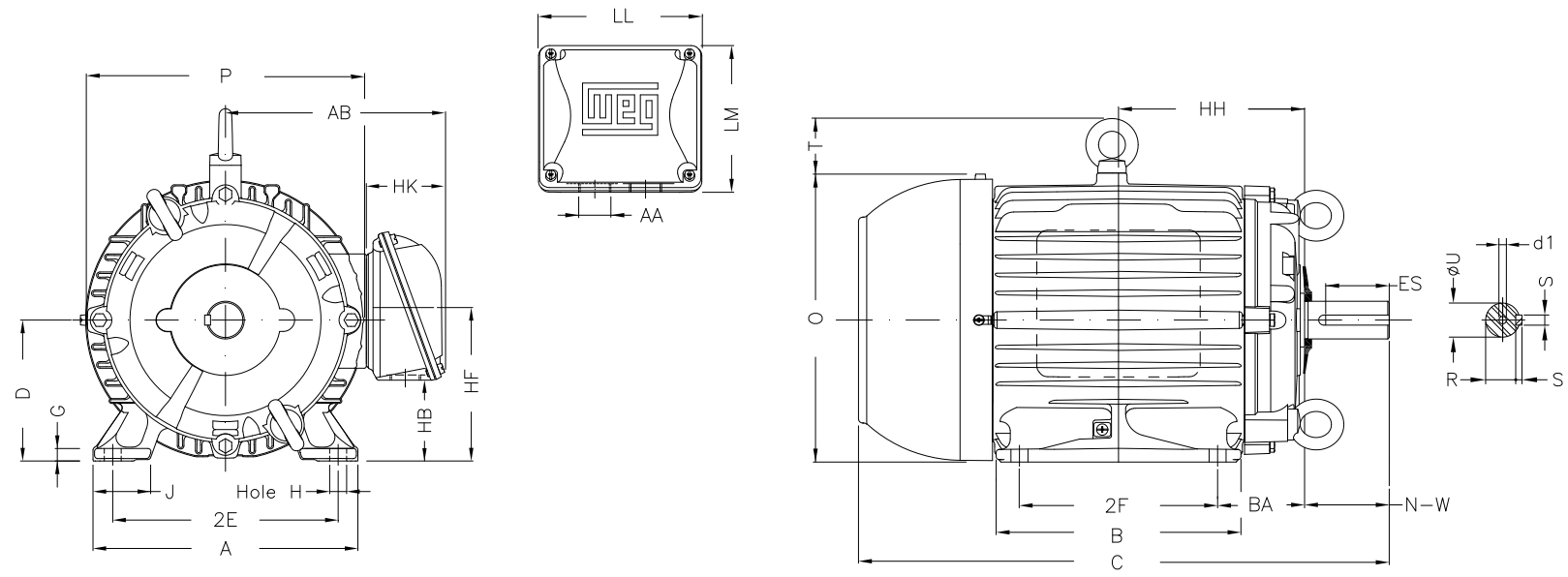
Notes:
Downloaded from <http://dealerselectric.com>
Generated for Model #00718ET3ECT213T-W22

Performed by

Checked

1 2 3 4 5 6 7 8

A
B
C
D
E
F



Notes: Downloaded from <http://dealerselectric.com>
Generated for Model #00718ET3ECT213T-W22

Performed by:

Checked:

Customer:

W22 Cooling Tower Motors: NEMA Premium - TEFC

Three-phase induction motor
Frame 213T - IP55

13-SEP-2016



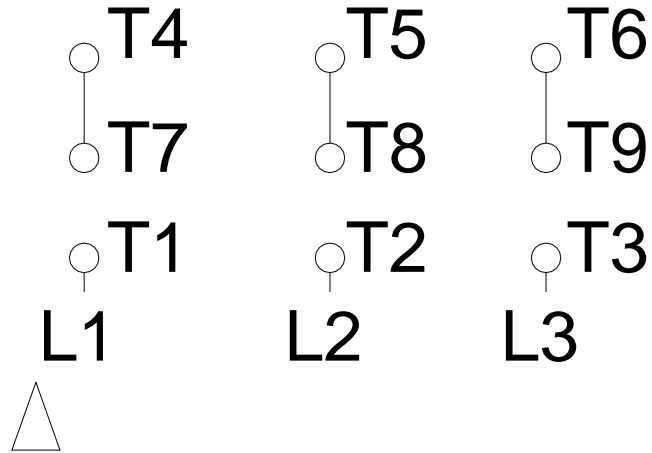
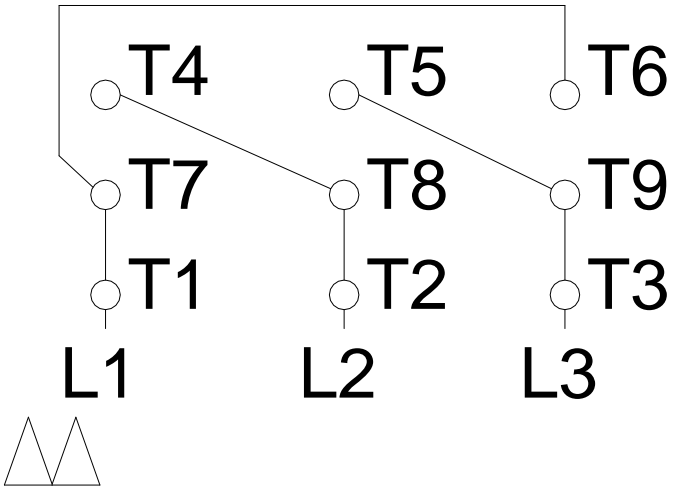
2E 8.500	J 1.772	A 9.764	P 10.669	AB 8.667
2F 5.500	K 2.165	B 7.362	BA 3.500	U 1.375
N-W 3.375	ES 2.480	S 0.313	R 1.203	depth 0.313
D 5.250	G 0.669	HB 2.985	O 10.841	T 1.772
HF 5.250	HH 6.250	HK 3.150	H 0.406	C 18.021
LL 5.512	LM 5.236	AA NPT 1"	d1 A 4	d2 A 4

1 2 3 4 5 6 7 8

LOW VOLTAGE

HIGH VOLTAGE

A
B
C
D
E
F



Notes: Downloaded from http://dealerselectric.com Generated for Model #00718ET3ECT213T-W22		
Performed by:		
Checked:		
Customer:		
W22 Cooling Tower Motors: NEMA Premium - TEFC		
Three-phase induction motor Frame 213T - IP55	13-SEP-2016	