



Dealers Industrial Equipment

No.:

Date: 13-SEP-2016

Customer :

TECHNICAL PROPOSAL

Single-phase induction motor - Squirrel cage rotor

Product line : Farm Duty Motors : TEFC (IP55) - Single-Phase

Catalog Number : 00718ES1DFD215T

List Price : \$1,463

Notes:

Downloaded from <http://dealerselectric.com>

Generated for Model #00718ES1DFD215T

Performed by:

Checked:



Dealers Industrial Equipment

No.:

Date: 13-SEP-2016

DATA SHEET Single-phase induction motor - Squirrel cage rotor

Customer :
 Product line : Farm Duty Motors : TEFC (IP55) - Single-Phase

Frame : 215T
 Output : 7.5 HP
 Frequency : 60 Hz
 Poles : 4
 Full load speed : 1730 rpm
 Slip : 3.89 %
 Voltage : 230 V
 Rated current : 33.0 A
 Locked rotor current : 248 A
 Locked rotor current (I_L/I_n) : 7.5
 No-load current : 18.0 A
 Full load torque : 22.5 lb.ft
 Locked rotor torque : 400 %
 Breakdown torque : 260 %
 Design : ---
 Insulation class : F
 Temperature rise : 80 K
 Locked rotor time : 6 s (hot)
 Service factor : 1.15
 Duty cycle : S1
 Ambient temperature : -20°C - +40°C
 Altitude : 1000 m
 Degree of Protection : IP55
 Approximate weight : 157 lb
 Moment of inertia : 0.88276 sq.ft.lb
 Noise level : ---

	D.E.	N.D.E.	Load	Power factor	Efficiency (%)
Bearings	6308 ZZ	6206 ZZ	100%	0.90	83.0
Regreasing interval	---	---	75%	0.81	81.0
Grease amount	---	---	50%	0.71	77.0

Notes:
 Downloaded from <http://dealerselectric.com>
 Generated for Model #00718ES1DFD215T

Performed by

Checked



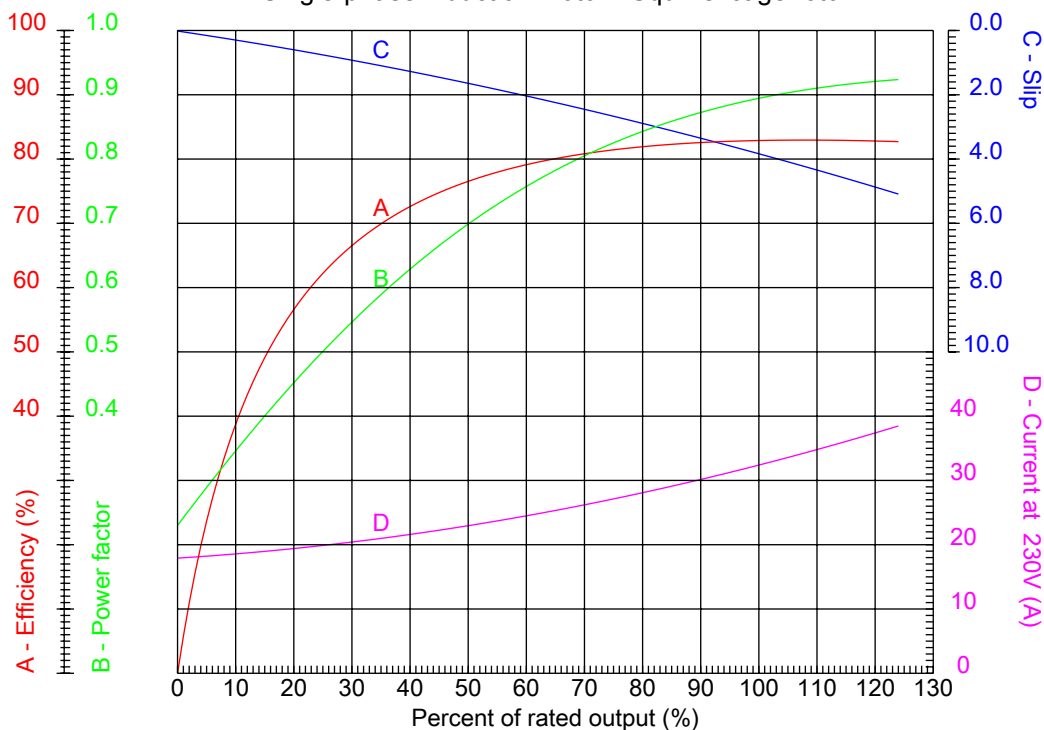
Dealers Industrial Equipment

No.:

Date: 13-SEP-2016

PERFORMANCE CURVES RELATED TO RATED OUTPUT

Single-phase induction motor - Squirrel cage rotor



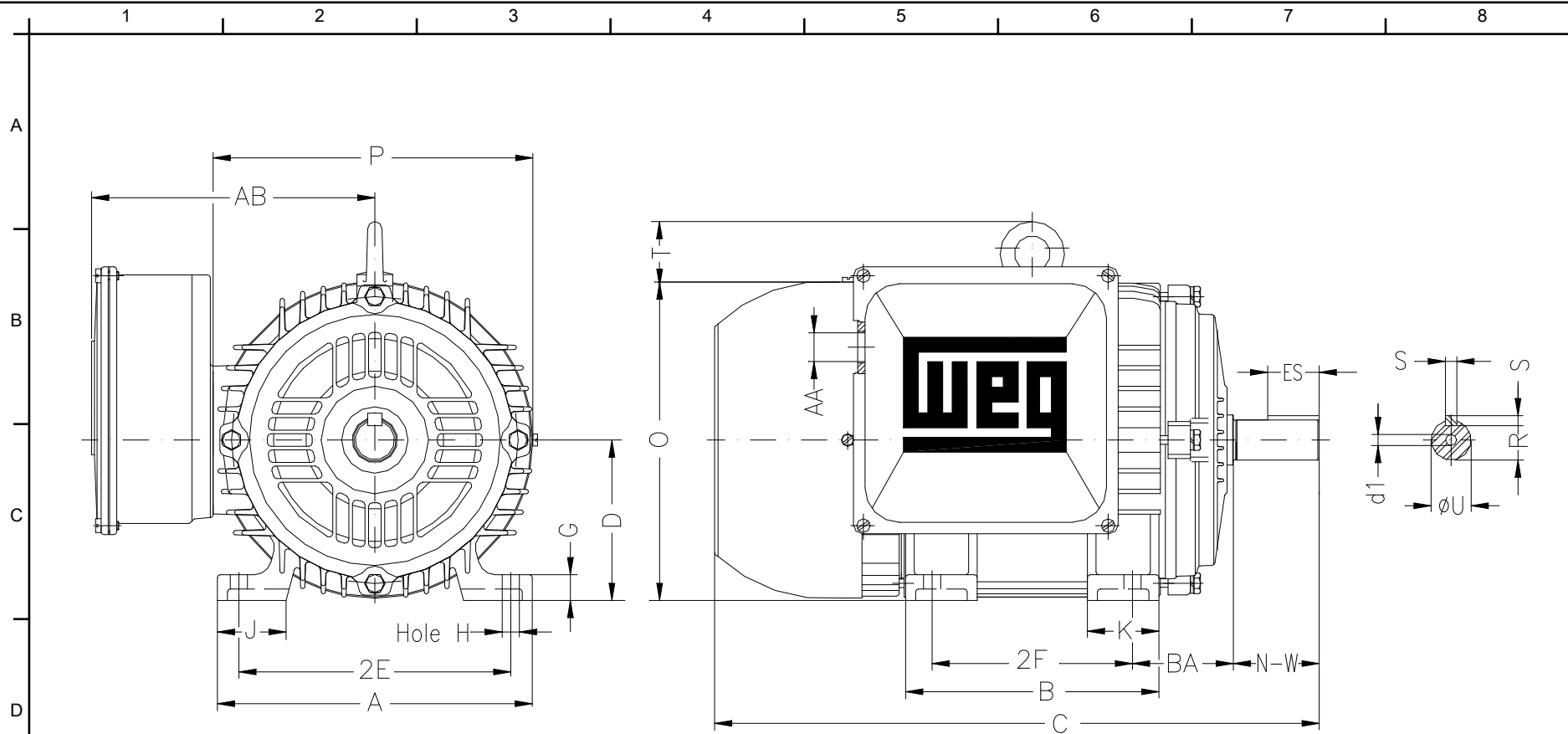
Customer :
 Product line : Farm Duty Motors : TEFC (IP55) - Single-Phase

Frame : 215T	Locked rotor current (I _l /I _n) : 7.5
Output : 7.5 HP	Duty cycle : S1
Frequency : 60 Hz	Service factor : 1.15
Full load speed : 1730 rpm	Design : ---
Voltage : 230 V	Locked rotor torque : 400 %
Rated current : 33.0 A	Breakdown torque : 260 %
Insulation class : F	

Notes:
 Downloaded from <http://dealerselectric.com>
 Generated for Model #00718ES1DFD215T

Performed by

Checked



Notes: Downloaded from <http://dealerselectric.com>
 Generated for Model #00718ES1DFD215T

Performed by:

Checked:

Customer:

Farm Duty Motors : TEFC (IP55) - Single-Phase

2E	2F	H	BA	A
8.500	7.000	0.406	3.500	9.764
B	C	D	G	J
8.875	19.567	5.250	0.827	2.008
K	O	P	ES	S
2.165	10.880	10.630	2.480	0.313
N-W	U	R	AB	AA
3.375	1.375	1.203	9.055	NPT 1"
d1				
A4				

Single-phase induction motor
 Frame 215T - IP55

13-SEP-2016

