



# Dealers Industrial Equipment

No.:

Date: 13-SEP-2016

Customer :

## TECHNICAL PROPOSAL

### Three-phase induction motor - Squirrel cage rotor

Product line : Close Coupled Pump: Three-Phase - W22 "JP" Type - TEFC - High Efficiency

Catalog Number : 00718EP3E213JP-W22

List Price : \$>(discontinued)</span>

#### Notes:

Downloaded from <http://dealerselectric.com>

Generated for Model #00718EP3E213JP-W22

Performed by:

Checked:



# Dealers Industrial Equipment

No.:

Date: 13-SEP-2016

## DATA SHEET Three-phase induction motor - Squirrel cage rotor

Customer :  
 Product line : Close Coupled Pump: Three-Phase - W22 "JP" Type - TEFC - High Efficiency

Frame : 213JP  
 Output : 7.5 HP  
 Frequency : 60 Hz  
 Poles : 4  
 Full load speed : 1755 rpm  
 Slip : 2.50 %  
 Voltage : 230/460 V  
 Rated current : 18.6/9.31 A  
 Locked rotor current : 121/60.5 A  
 Locked rotor current (I<sub>L</sub>/I<sub>n</sub>) : 6.5  
 No-load current : 8.60/4.30 A  
 Full load torque : 22.1 lb.ft  
 Locked rotor torque : 210 %  
 Breakdown torque : 260 %  
 Design : B  
 Insulation class : F  
 Temperature rise : 80 K  
 Locked rotor time : 13 s (hot)  
 Service factor : 1.25  
 Duty cycle : S1  
 Ambient temperature : -20°C - +40°C  
 Altitude : 1000 m  
 Degree of Protection : IP55  
 Approximate weight : 139 lb  
 Moment of inertia : 0.98005 sq.ft.lb  
 Noise level : 58 dB(A)

	D.E.	N.D.E.
Bearings	6309 Z-C3	6207 ZZ
Regreasing interval	20000 h	---
Grease amount	13 g	---

Load	Power factor	Efficiency (%)
100%	0.83	89.5
75%	0.77	89.5
50%	0.66	88.5

Notes:  
 Downloaded from <http://dealerselectric.com>  
 Generated for Model #00718EP3E213JP-W22

Performed by

Checked



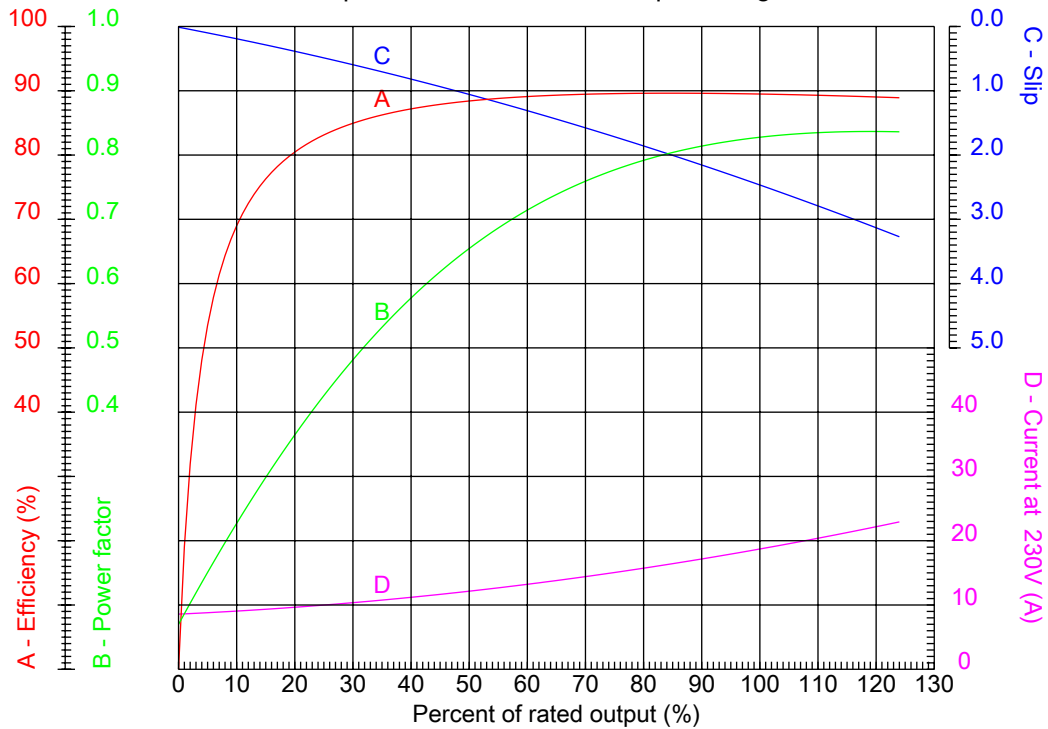
# Dealers Industrial Equipment

No.:

Date: 13-SEP-2016

## PERFORMANCE CURVES RELATED TO RATED OUTPUT

Three-phase induction motor - Squirrel cage rotor



Customer :  
Product line : Close Coupled Pump: Three-Phase - W22 "JP" Type - TEFC - High Efficiency

Frame	: 213JP	Locked rotor current (I <sub>l</sub> /I <sub>n</sub> )	: 6.5
Output	: 7.5 HP	Duty cycle	: S1
Frequency	: 60 Hz	Service factor	: 1.25
Full load speed	: 1755 rpm	Design	: B
Voltage	: 230/460 V	Locked rotor torque	: 210 %
Rated current	: 18.6/9.31 A	Breakdown torque	: 260 %
Insulation class	: F		

Notes:  
Downloaded from <http://dealerselectric.com>  
Generated for Model #00718EP3E213JP-W22

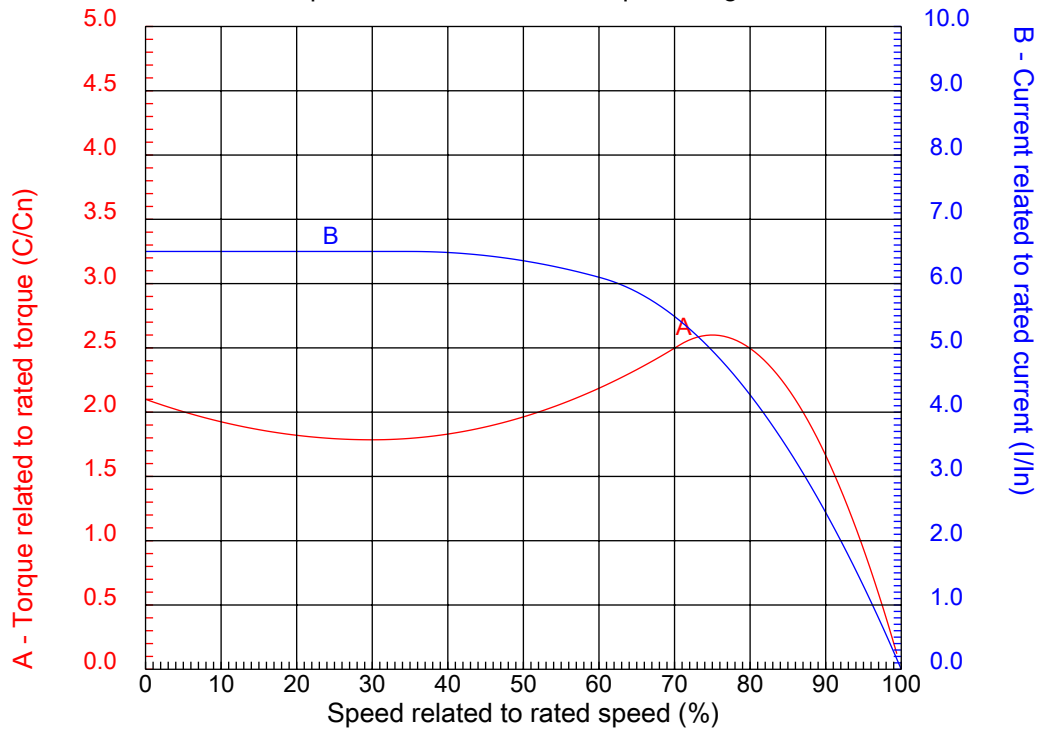
Performed by

Checked



## CHARACTERISTIC CURVES RELATED TO SPEED

Three-phase induction motor - Squirrel cage rotor



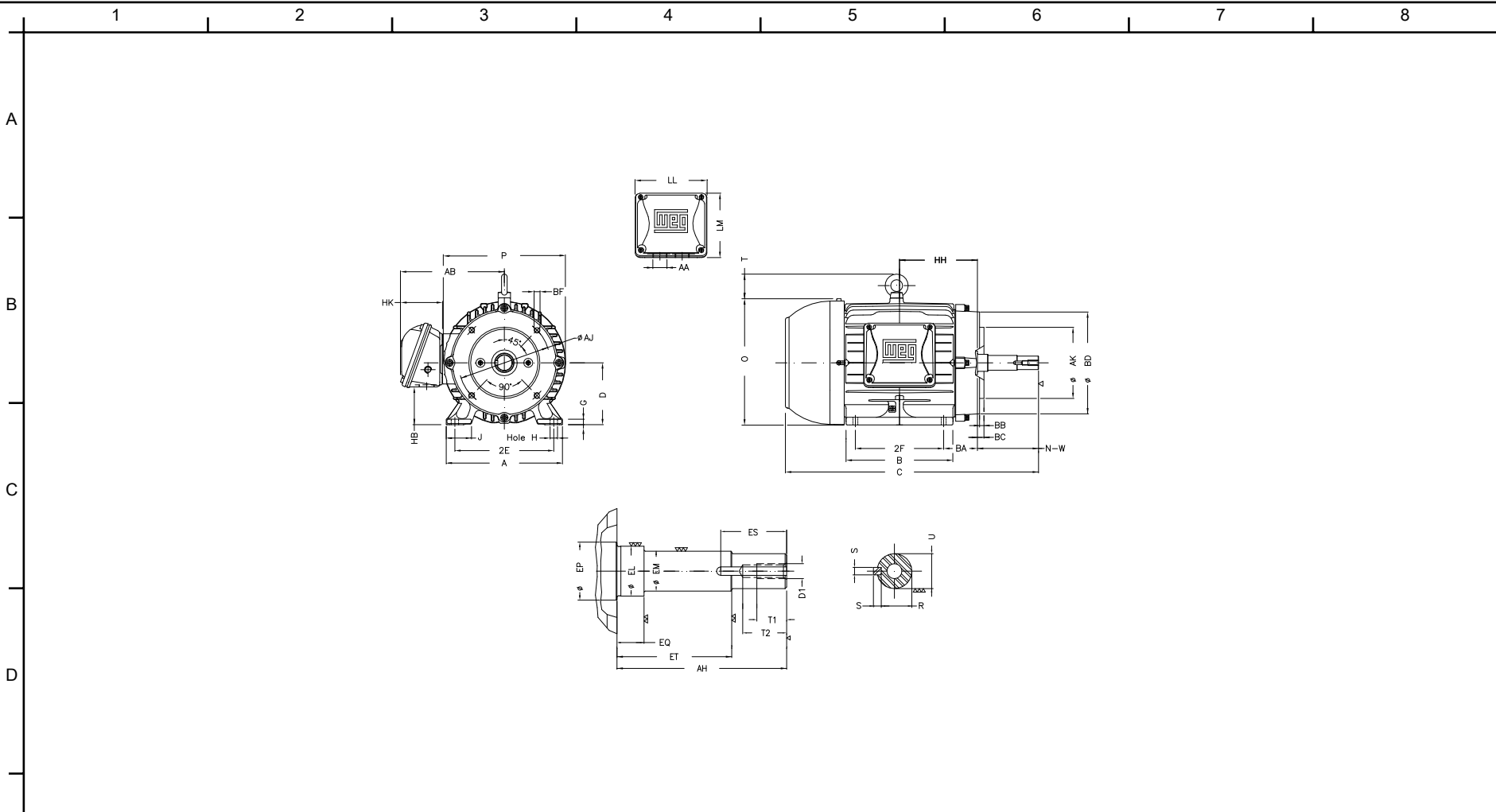
Customer :  
Product line : Close Coupled Pump: Three-Phase - W22 "JP" Type - TEFC - High Efficiency

Frame	: 213JP	Locked rotor current (I <sub>l</sub> /I <sub>n</sub> )	: 6.5
Output	: 7.5 HP	Duty cycle	: S1
Frequency	: 60 Hz	Service factor	: 1.25
Full load speed	: 1755 rpm	Design	: B
Voltage	: 230/460 V	Locked rotor torque	: 210 %
Rated current	: 18.6/9.31 A	Breakdown torque	: 260 %
Insulation class	: F		

Notes:  
Downloaded from <http://dealerselectric.com>  
Generated for Model #00718EP3E213JP-W22

Performed by

Checked



Notes: Downloaded from <http://dealerselectric.com>  
 Generated for Model #00718EP3E213JP-W22

2E	J	A	P	AB
8.500	1.772	9.764	10.669	8.583
2F	K	B	BA	D
5.500	2.165	7.362	3.500	5.250
G	O	T	H	AA
0.669	10.841	1.772	0.406	NPT 1"
EQ	ET	U	EM	EL
2.382	5.886	1.249	1.375	1.750
EP	ES	t1	t2	C
1.770	2.480	0.984	1.496	22.804
d1	HH	HK	HB	LL
EUNC 1/2"-13	6.250	3.150	2.985	5.512
LM	S	R	Flange	AJ
5.236	0.250	1.110	FC-184	7.252
AK	BD	BF	BB	AH
8.500	8.858	UNC 1/2"x13	0.248	8.130

Performed by:

Checked:

Customer:

Close Coupled Pump: Three-Phase - W22 "JP" Type - TEFC - High Efficiency

Three-phase induction motor  
 Frame 213JP - IP55

13-SEP-2016

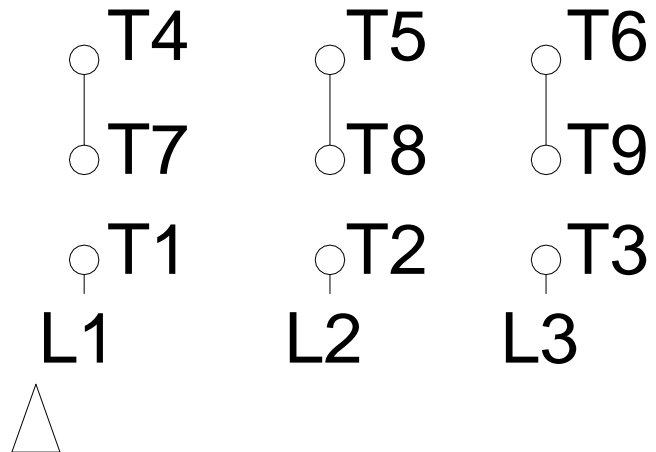


1 2 3 4 5 6 7 8

# LOW VOLTAGE

# HIGH VOLTAGE

A  
B  
C  
D  
E  
F



Notes: Downloaded from <http://dealerselectric.com>  
 Generated for Model #00718EP3E213JP-W22

Performed by:

Checked:

Customer:

Close Coupled Pump: Three-Phase - W22 "JP" Type - TEFC - High Efficiency

Three-phase induction motor  
 Frame 213JP - IP55

13-SEP-2016

