



Dealers Industrial Equipment

No.:

Date: 13-SEP-2016

Customer :

TECHNICAL PROPOSAL

Three-phase induction motor - Squirrel cage rotor

Product line : P-Base Motors : High Efficiency

Catalog Number : 00718EP3E213HP

List Price : \$1,306

Notes:

Downloaded from <http://dealerselectric.com>

Generated for Model #00718EP3E213HP

Performed by:

Checked:



Dealers Industrial Equipment

No.:

Date: 13-SEP-2016

DATA SHEET Three-phase induction motor - Squirrel cage rotor

Customer :
Product line : P-Base Motors : High Efficiency

Frame : 213HP
Output : 7.5 HP
Frequency : 60 Hz
Poles : 4
Full load speed : 1755 rpm
Slip : 2.50 %
Voltage : 230/460 V
Rated current : 19.0/9.52 A
Locked rotor current : 122/60.9 A
Locked rotor current (I_L/I_n) : 6.4
No-load current : 7.00/3.50 A
Full load torque : 22.1 lb.ft
Locked rotor torque : 200 %
Breakdown torque : 260 %
Design : B
Insulation class : F
Temperature rise : 80 K
Locked rotor time : 21 s (hot)
Service factor : 1.25
Duty cycle : S1
Ambient temperature : -20°C - +40°C
Altitude : 1000 m
Degree of Protection : IP55
Approximate weight : 140 lb
Moment of inertia : 0.98005 sq.ft.lb
Noise level : 58 dB(A)

| | D.E. | N.D.E. |
|---------------------|---------|---------|
| Bearings | 6309 C3 | 6207 ZZ |
| Regreasing interval | 10000 h | --- |
| Grease amount | 13 g | --- |

| Load | Power factor | Efficiency (%) |
|------|--------------|----------------|
| 100% | 0.81 | 89.5 |
| 75% | 0.75 | 89.5 |
| 50% | 0.64 | 87.5 |

Notes:
Downloaded from <http://dealerselectric.com>
Generated for Model #00718EP3E213HP

Performed by

Checked



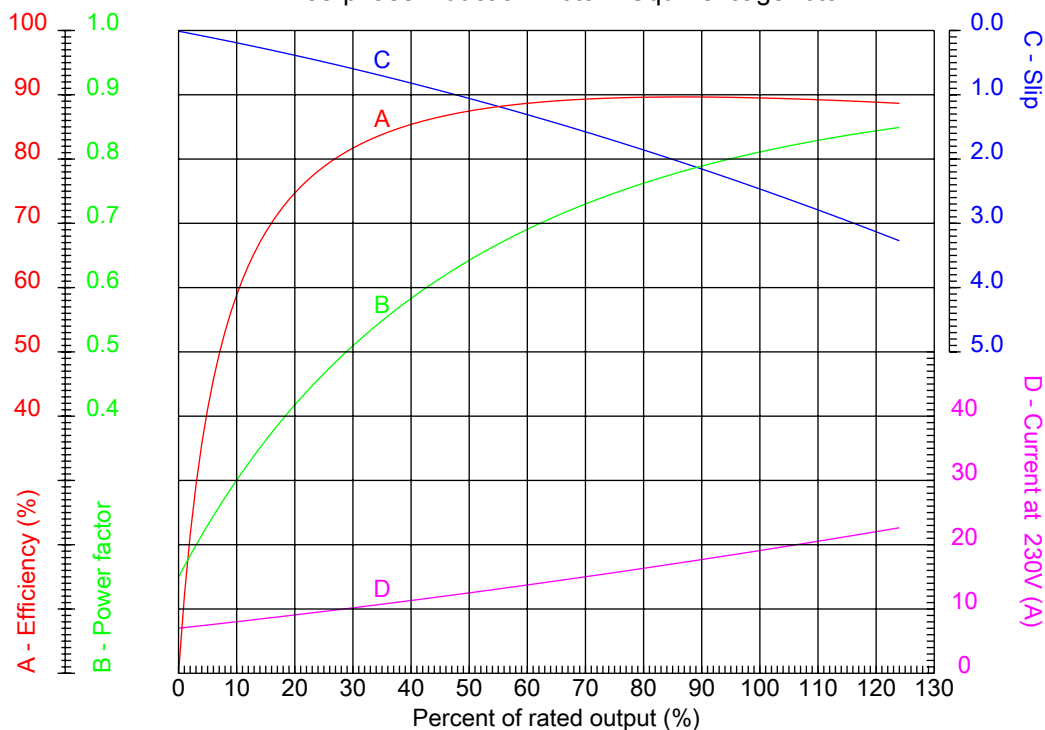
Dealers Industrial Equipment

No.:

Date: 13-SEP-2016

PERFORMANCE CURVES RELATED TO RATED OUTPUT

Three-phase induction motor - Squirrel cage rotor



Customer :
 Product line : P-Base Motors : High Efficiency

| | | | |
|------------------|---------------|--|---------|
| Frame | : 213HP | Locked rotor current (I _l /I _n) | : 6.4 |
| Output | : 7.5 HP | Duty cycle | : S1 |
| Frequency | : 60 Hz | Service factor | : 1.25 |
| Full load speed | : 1755 rpm | Design | : B |
| Voltage | : 230/460 V | Locked rotor torque | : 200 % |
| Rated current | : 19.0/9.52 A | Breakdown torque | : 260 % |
| Insulation class | : F | | |

Notes:
 Downloaded from <http://dealerselectric.com>
 Generated for Model #00718EP3E213HP

Performed by

Checked



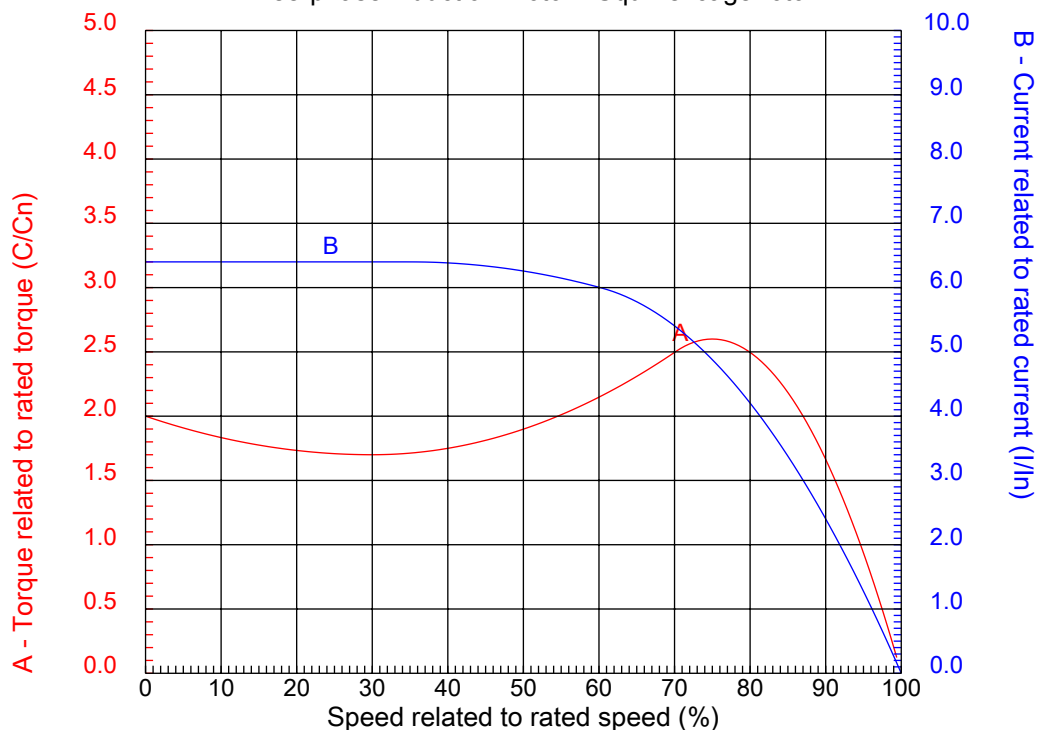
Dealers Industrial Equipment

No.:

Date: 13-SEP-2016

CHARACTERISTIC CURVES RELATED TO SPEED

Three-phase induction motor - Squirrel cage rotor



Customer :
Product line : P-Base Motors : High Efficiency

| | | | |
|------------------|---------------|--|---------|
| Frame | : 213HP | Locked rotor current (I _l /I _n) | : 6.4 |
| Output | : 7.5 HP | Duty cycle | : S1 |
| Frequency | : 60 Hz | Service factor | : 1.25 |
| Full load speed | : 1755 rpm | Design | : B |
| Voltage | : 230/460 V | Locked rotor torque | : 200 % |
| Rated current | : 19.0/9.52 A | Breakdown torque | : 260 % |
| Insulation class | : F | | |

Notes:
Downloaded from <http://dealerselectric.com>
Generated for Model #00718EP3E213HP

Performed by

Checked

1 2 3 4 5 6 7 8

A

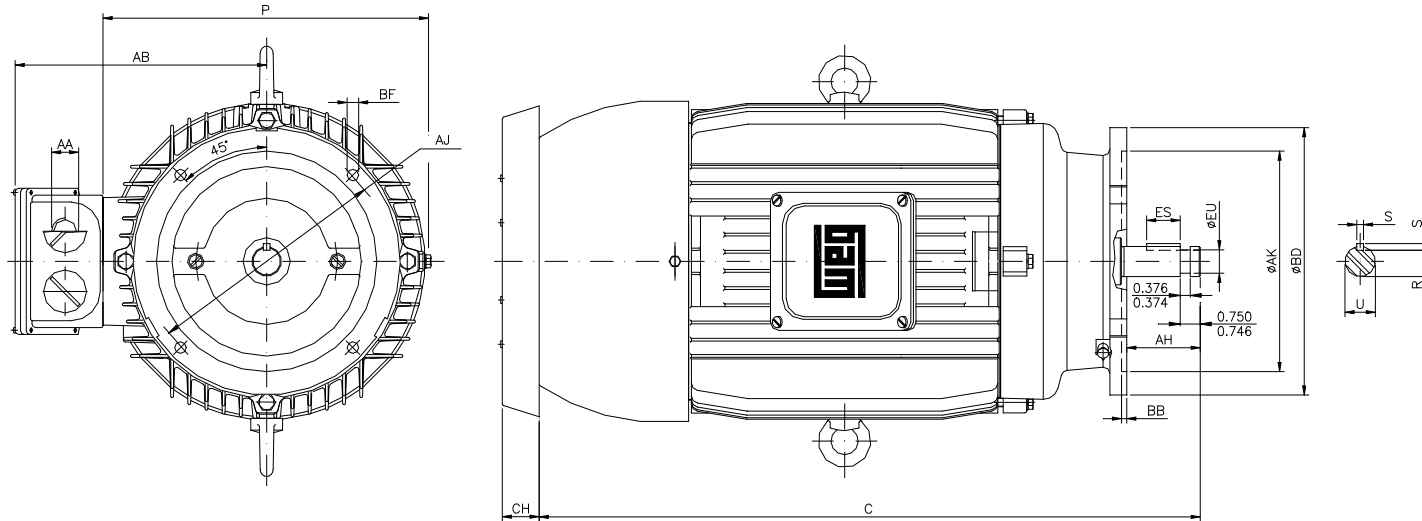
B

C

D

E

F



Notes: Downloaded from <http://dealerselectric.com>
 Generated for Model #00718EP3E213HP

Performed by:

Checked:

Customer:

P-Base Motors : High Efficiency

| | | | | |
|--------------|-----------------|-------------|-------------|--------------|
| ES 1.250 | S 0.250 | EU 0.875 | U 1.125 | R 0.984 |
| P 10.630 | AH 2.750 | AB 8.149 | C 18.630 | CH 1.220 |
| AA NPT 1" | Flange D-254 | AJ 9.125 | AK 8.250 | BD 10.000 |
| BF 0.433 | BB 0.196 | | | |

Three-phase induction motor
 Frame 213HP - IP55

13-SEP-2016

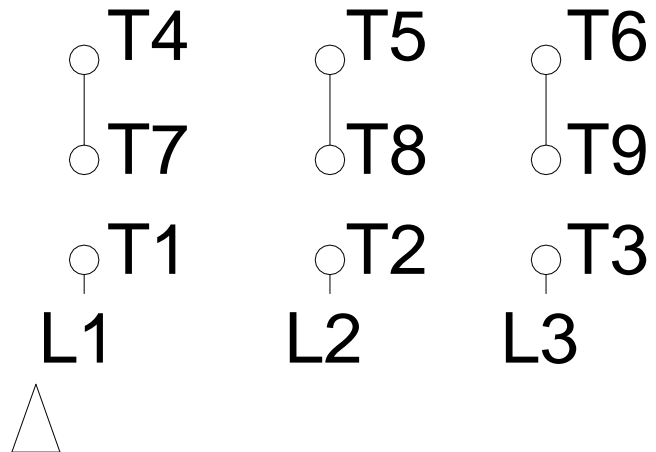
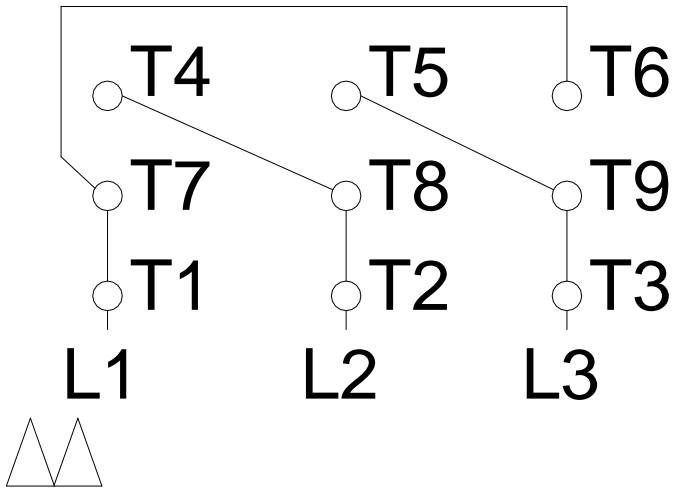



1 2 3 4 5 6 7 8

LOW VOLTAGE

HIGH VOLTAGE

A
B
C
D
E
F



| | | |
|---|-------------|---|
| Notes: Downloaded from http://dealerselectric.com Generated for Model #00718EP3E213HP | | |
| Performed by: | | |
| Checked: | | |
| Customer: | | |
| P-Base Motors : High Efficiency | | |
| Three-phase induction motor Frame 213HP - IP55 | 13-SEP-2016 |  |