



Dealers Industrial Equipment

No.:

Date: 13-SEP-2016

Customer :

TECHNICAL PROPOSAL

Three-phase induction motor - Squirrel cage rotor

Product line : W22 Super Premium
Catalog Number : 00718EG3EL213T-W22
List Price : \$>(discontinued)

Notes:
Downloaded from <http://dealerselectric.com>
Generated for Model #00718EG3EL213T-W22

Performed by:

Checked:



Dealers Industrial Equipment

No.:

Date: 13-SEP-2016

DATA SHEET Three-phase induction motor - Squirrel cage rotor

Customer :
Product line : W22 Super Premium

Frame : L213T
Output : 7.5 HP
Frequency : 60 Hz
Poles : 4
Full load speed : 1770 rpm
Slip : 1.67 %
Voltage : 208-230/460 V
Rated current : 17.9/8.94 A
Locked rotor current : 152/76.0 A
Locked rotor current (I_L/I_n) : 8.5
No-load current : 9.00/4.50 A
Full load torque : 22.0 lb.ft
Locked rotor torque : 230 %
Breakdown torque : 350 %
Design : A
Insulation class : F
Temperature rise : 80 K
Locked rotor time : 20 s (hot)
Service factor : 1.25 (1.00 at 208V)
Duty cycle : S1
Ambient temperature : -20°C - +40°C
Altitude : 1000 m
Degree of Protection : IP55
Approximate weight : 172 lb
Moment of inertia : 1.5144 sq.ft.lb
Noise level : 58 dB(A)

	D.E.	N.D.E.
Bearings	6308 ZZ	6207 ZZ
Regreasing interval	---	---
Grease amount	---	---

Load	Power factor	Efficiency (%)
100%	0.83	93.0
75%	0.76	92.4
50%	0.65	91.0

Notes:
Downloaded from <http://dealerselectric.com>
Generated for Model #00718EG3EL213T-W22

Performed by

Checked



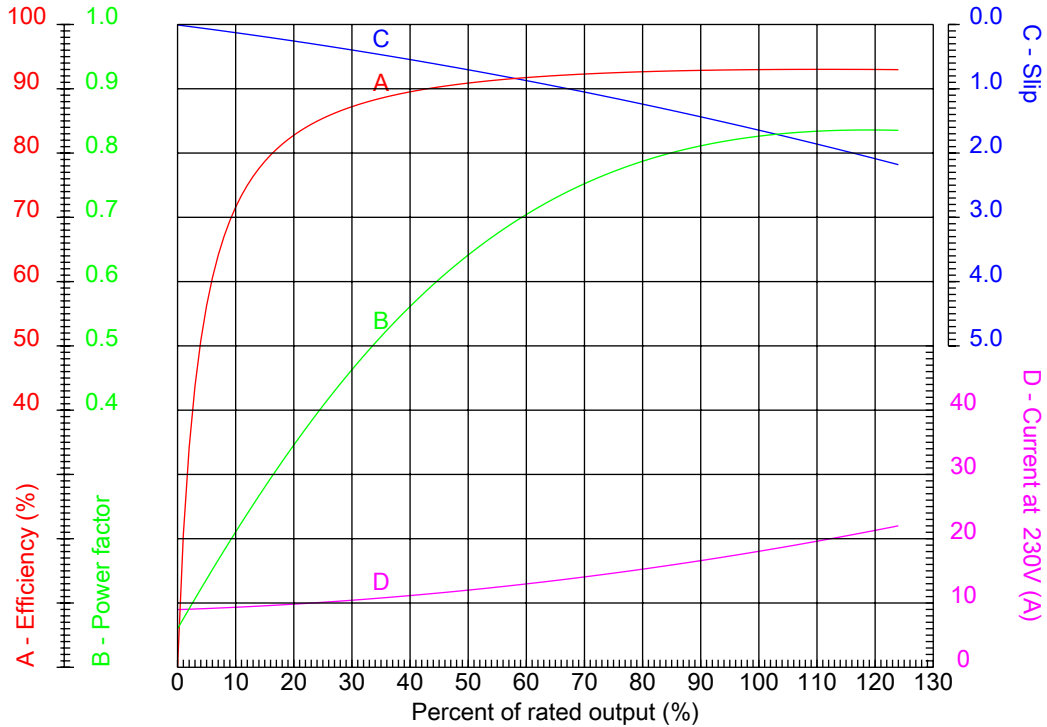
Dealers Industrial Equipment

No.:

Date: 13-SEP-2016

PERFORMANCE CURVES RELATED TO RATED OUTPUT

Three-phase induction motor - Squirrel cage rotor



Customer :
Product line : W22 Super Premium

Frame : L213T	Locked rotor current (I _l /I _n) : 8.5
Output : 7.5 HP	Duty cycle : S1
Frequency : 60 Hz	Service factor : 1.25 (1.00 at 208V)
Full load speed : 1770 rpm	Design : A
Voltage : 208-230/460 V	Locked rotor torque : 230 %
Rated current : 17.9/8.94 A	Breakdown torque : 350 %
Insulation class : F	

Notes:
Downloaded from <http://dealerselectric.com>
Generated for Model #00718EG3EL213T-W22

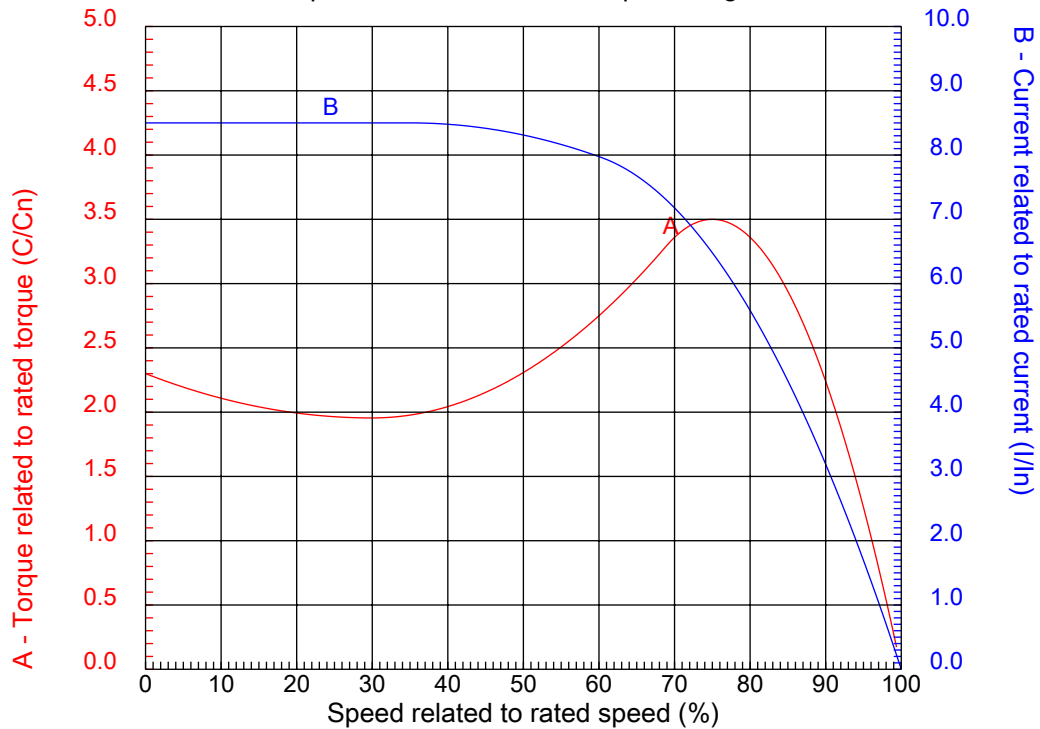
Performed by

Checked



CHARACTERISTIC CURVES RELATED TO SPEED

Three-phase induction motor - Squirrel cage rotor



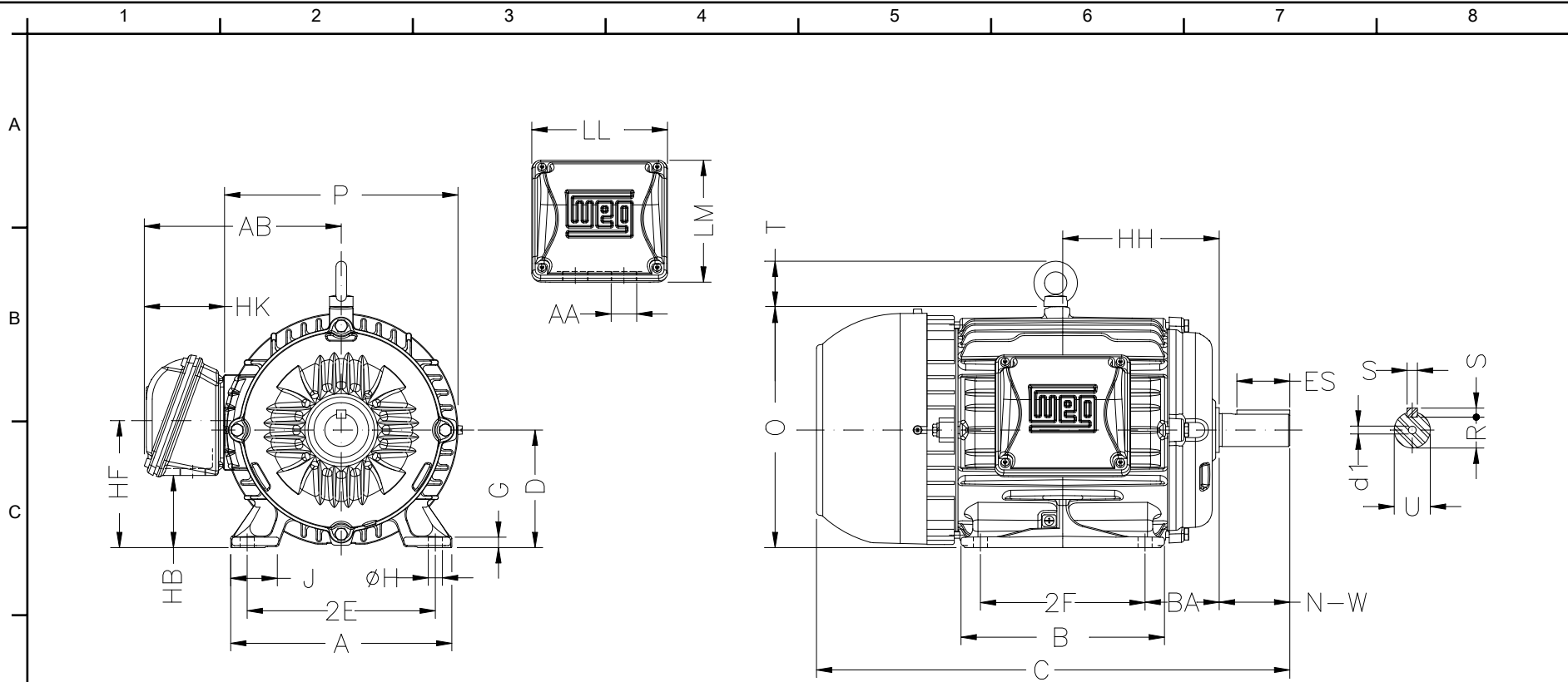
Customer :
Product line : W22 Super Premium

Frame	: L213T	Locked rotor current (I _l /I _n)	: 8.5
Output	: 7.5 HP	Duty cycle	: S1
Frequency	: 60 Hz	Service factor	: 1.25 (1.00 at 208V)
Full load speed	: 1770 rpm	Design	: A
Voltage	: 208-230/460 V	Locked rotor torque	: 230 %
Rated current	: 17.9/8.94 A	Breakdown torque	: 350 %
Insulation class	: F		

Notes:
Downloaded from <http://dealerselectric.com>
Generated for Model #00718EG3EL213T-W22

Performed by

Checked



Notes: Downloaded from <http://dealerselectric.com>
 Generated for Model #00718EG3EL213T-W22

Performed by:

Checked:

Customer:

W22 Super Premium

Three-phase induction motor
 Frame L213T - IP55

13-SEP-2016



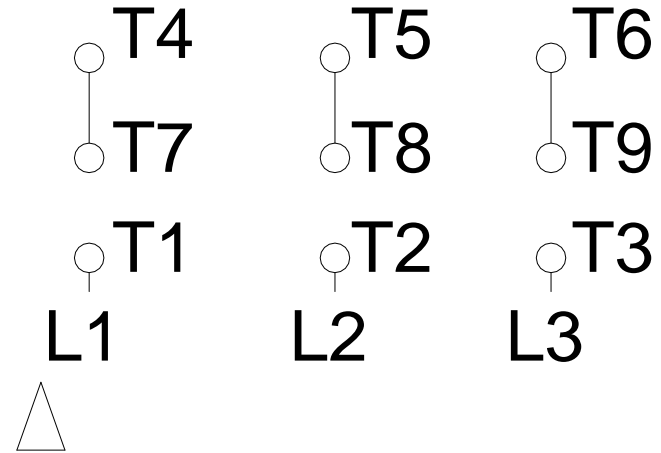
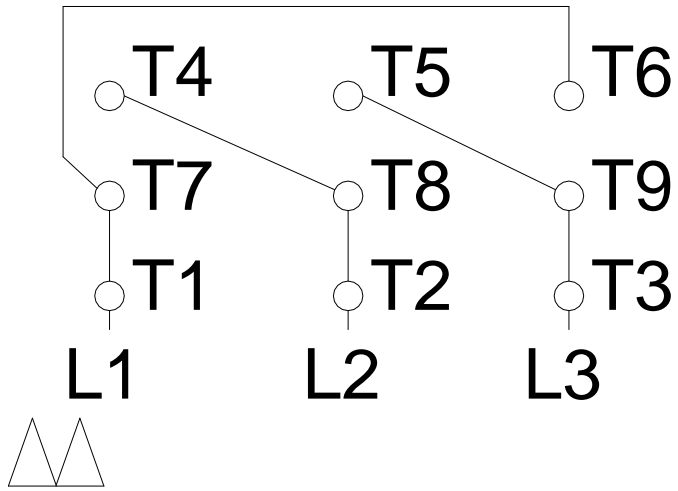
	2E 8.500	J 1.772	A 9.764	P 10.669	AB 8.583
	2F 5.500	K 2.165	B 7.362	BA 3.500	FBA 5.921
	U 1.375	N-W 3.375	ES 2.480	S 0.313	R 1.203
F	depth 0.313	D 5.250	G 0.669	HB 2.985	O 10.841
	T 1.772	HF 5.250	HH 6.250	HK 3.150	H 0.410
	LL 5.512	LM 5.236	AA NPT 1"	d1 A 4	

1 2 3 4 5 6 7 8

LOW VOLTAGE

HIGH VOLTAGE

A
B
C
D
E
F



Notes: Downloaded from http://dealerselectric.com Generated for Model #00718EG3EL213T-W22		
Performed by:		
Checked:		
Customer:		
W22 Super Premium		
Three-phase induction motor Frame L213T - IP55	13-SEP-2016	