



# Dealers Industrial Equipment

No.:

Date: 13-SEP-2016

Customer :

## TECHNICAL PROPOSAL

### Three-phase induction motor - Squirrel cage rotor

Product line : W22 Cooling Tower Motors: NEMA Premium - TEAO

Catalog Number : 00718AT3ECT213TF1-W2

List Price : \$1,332

#### Notes:

Downloaded from <http://dealerselectric.com>

Generated for Model #00718AT3ECT213TF1-W2

Performed by:

Checked:



Dealers Industrial Equipment

No.:

Date: 13-SEP-2016

### DATA SHEET Three-phase induction motor - Squirrel cage rotor

Customer :  
Product line : W22 Cooling Tower Motors: NEMA Premium - TEAO

Frame : 213T  
Output : 7.5 HP  
Frequency : 60 Hz  
Poles : 4  
Full load speed : 1765 rpm  
Slip : 1.94 %  
Voltage : 208-230/460 V  
Rated current : 19.9-18.4/9.18 A  
Locked rotor current : 130/65.2 A  
Locked rotor current (I<sub>L</sub>/I<sub>n</sub>) : 7.1  
No-load current : 8.10/4.05 A  
Full load torque : 22.0 lb.ft  
Locked rotor torque : 220 %  
Breakdown torque : 310 %  
Design : B  
Insulation class : F  
Temperature rise : 80 K  
Locked rotor time : 20 s (hot)  
Service factor : 1.25  
Duty cycle : S1  
Ambient temperature : -20°C - +40°C  
Altitude : 1000 m  
Degree of Protection : IP55  
Approximate weight : 154 lb  
Moment of inertia : 1.3436 sq.ft.lb  
Noise level : 58 dB(A)

	D.E.	N.D.E.
Bearings	6308 2RS	6207 2RS
Regreasing interval	---	---
Grease amount	---	---

Load	Power factor	Efficiency (%)
100%	0.82	91.7
75%	0.76	91.0
50%	0.66	89.5

Notes:  
Downloaded from <http://dealerselectric.com>  
Generated for Model #00718AT3ECT213TF1-W2

Performed by

Checked



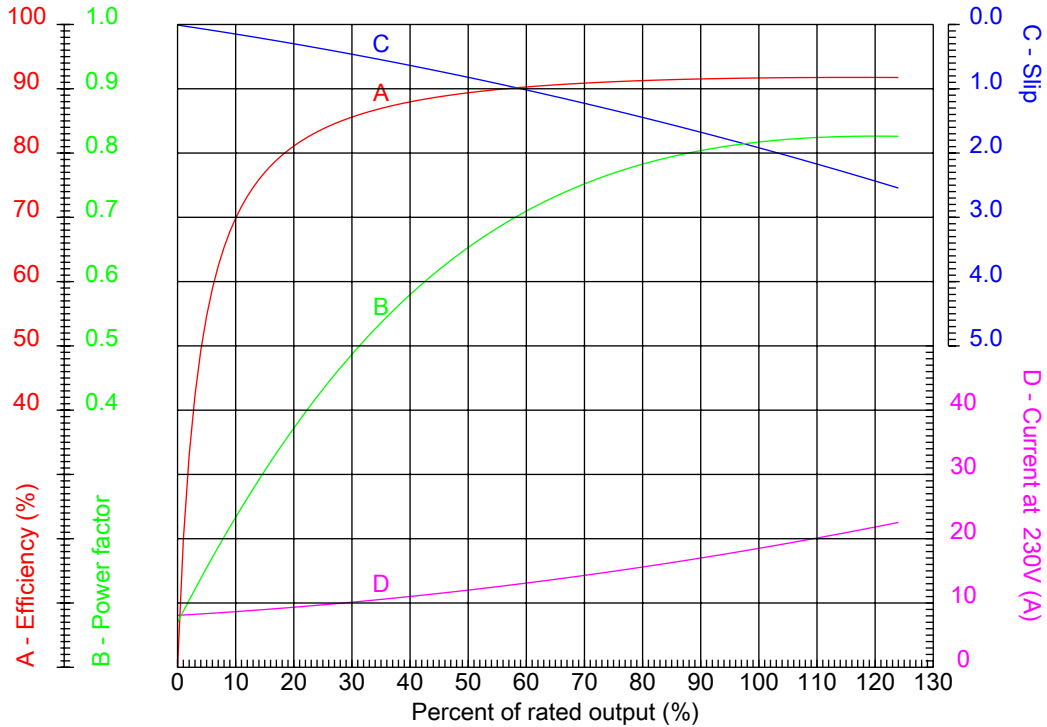
# Dealers Industrial Equipment

No.:

Date: 13-SEP-2016

## PERFORMANCE CURVES RELATED TO RATED OUTPUT

Three-phase induction motor - Squirrel cage rotor



Customer :  
 Product line : W22 Cooling Tower Motors: NEMA Premium - TEAO

Frame	: 213T	Locked rotor current (I <sub>L</sub> /I <sub>n</sub> )	: 7.1
Output	: 7.5 HP	Duty cycle	: S1
Frequency	: 60 Hz	Service factor	: 1.25
Full load speed	: 1765 rpm	Design	: B
Voltage	: 208-230/460 V	Locked rotor torque	: 220 %
Rated current	: 19.9-18.4/9.18 A	Breakdown torque	: 310 %
Insulation class	: F		

Notes:  
 Downloaded from <http://dealerselectric.com>  
 Generated for Model #00718AT3ECT213TF1-W2

Performed by

Checked



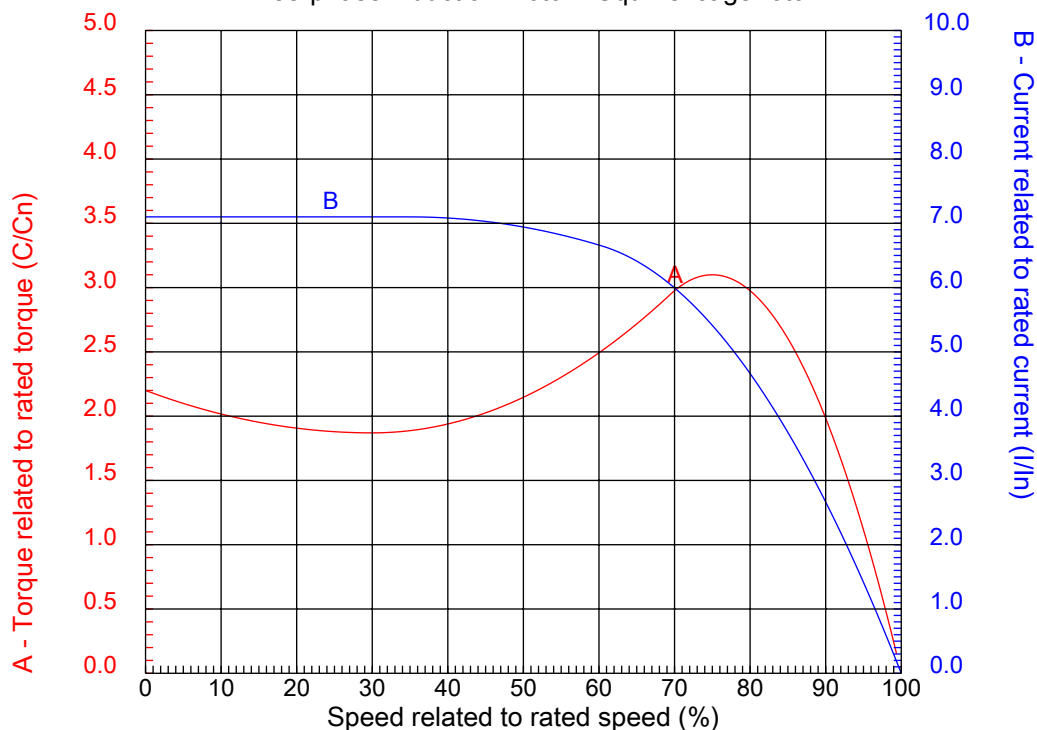
# Dealers Industrial Equipment

No.:

Date: 13-SEP-2016

## CHARACTERISTIC CURVES RELATED TO SPEED

Three-phase induction motor - Squirrel cage rotor



Customer :  
Product line : W22 Cooling Tower Motors: NEMA Premium - TEAO

Frame	: 213T	Locked rotor current (I <sub>l</sub> /I <sub>n</sub> )	: 7.1
Output	: 7.5 HP	Duty cycle	: S1
Frequency	: 60 Hz	Service factor	: 1.25
Full load speed	: 1765 rpm	Design	: B
Voltage	: 208-230/460 V	Locked rotor torque	: 220 %
Rated current	: 19.9-18.4/9.18 A	Breakdown torque	: 310 %
Insulation class	: F		

Notes:  
Downloaded from <http://dealerselectric.com>  
Generated for Model #00718AT3ECT213TF1-W2

Performed by

Checked

1 2 3 4 5 6 7 8

A

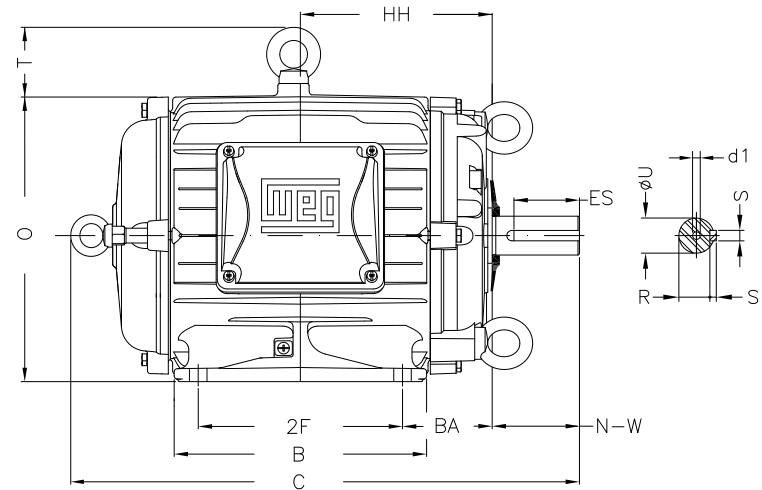
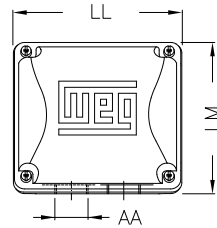
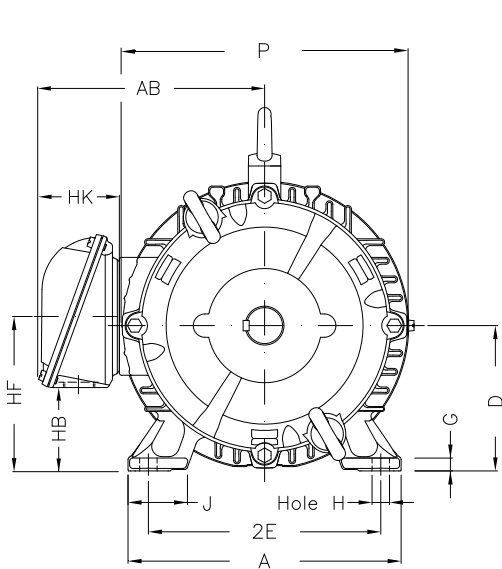
B

C

D

E

F



Notes: Downloaded from <http://dealerselectric.com>  
Generated for Model #00718AT3ECT213TF1-W2

Performed by:

Checked:

Customer:

W22 Cooling Tower Motors: NEMA Premium - TEAO

Three-phase induction motor  
Frame 213T - IP55

13-SEP-2016



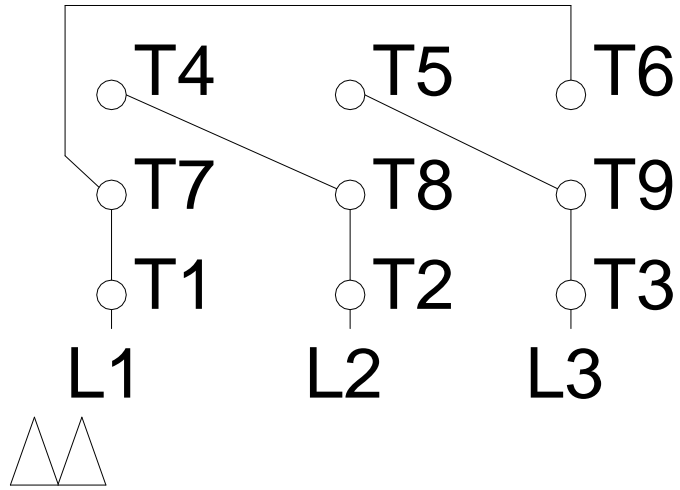
2E 8.500	J 1.772	A 9.764	P 10.669	AB 8.667
2F 5.500	K 2.165	B 7.362	BA 3.500	U 1.375
N-W 3.375	ES 2.480	S 0.313	R 1.203	depth 0.313
D 5.250	G 0.669	HB 2.985	O 10.841	T 1.772
HF 5.250	HH 6.250	HK 3.150	H 0.406	C 17.239
LL 5.512	LM 5.236	AA NPT 1"	d1 A 4	

1 2 3 4 5 6 7 8

# LOW VOLTAGE

# HIGH VOLTAGE

A  
B  
C  
D  
E  
F



Notes: Downloaded from <a href="http://dealerselectric.com">http://dealerselectric.com</a> Generated for Model #00718AT3ECT213TF1-W2		
Performed by:		
Checked:		
Customer:		
W22 Cooling Tower Motors: NEMA Premium - TEAO		
Three-phase induction motor Frame 213T - IP55	13-SEP-2016	