



Dealers Industrial Equipment

No.:

Date: 13-SEP-2016

Customer :

TECHNICAL PROPOSAL

Three-phase induction motor - Squirrel cage rotor

Product line : Three-Phase: W22 IE3 IEC Tru-Metric - TEFC (IP55) Cast Iron Frame

Catalog Number : 00712ET3Y160M-W22

List Price : \$2,306

Notes:

Downloaded from <http://dealerselectric.com>

Generated for Model #00712ET3Y160M-W22

Performed by:

Checked:



# Dealers Industrial Equipment

No.:

Date: 13-SEP-2016

## DATA SHEET

### Three-phase induction motor - Squirrel cage rotor

Customer :  
 Product line : Three-Phase: W22 IE3 IEC Tru-Metric - TEFC (IP55) Cast Iron Frame

Frame : 160M  
 Output : 10 HP  
 Frequency : 60 Hz  
 Poles : 6  
 Full load speed : 1180 rpm  
 Slip : 1.67 %  
 Voltage : 460 V  
 Rated current : 13.1 A  
 Locked rotor current : 96.9 A  
 Locked rotor current (I<sub>L</sub>/I<sub>n</sub>) : 7.4  
 No-load current : 7.00 A  
 Full load torque : 43.9 lb.ft  
 Locked rotor torque : 270 %  
 Breakdown torque : 350 %  
 Design : ---  
 Insulation class : F  
 Temperature rise : 80 K  
 Locked rotor time : 25 s (hot)  
 Service factor : 1.25  
 Duty cycle : S1  
 Ambient temperature : -20°C - +40°C  
 Altitude : 1000 m  
 Degree of Protection : IP55  
 Approximate weight : 269 lb  
 Moment of inertia : 2.8972 sq.ft.lb  
 Noise level : 59 dB(A)

	D.E.	N.D.E.
Bearings	6309 C3	6209 C3
Regreasing interval	20000 h	20000 h
Grease amount	13 g	9 g

Load	Power factor	Efficiency (%)
100%	0.79	91.0
75%	0.72	89.5
50%	0.59	87.5

Notes:  
 Downloaded from <http://dealerselectric.com>  
 Generated for Model #00712ET3Y160M-W22

Performed by

Checked



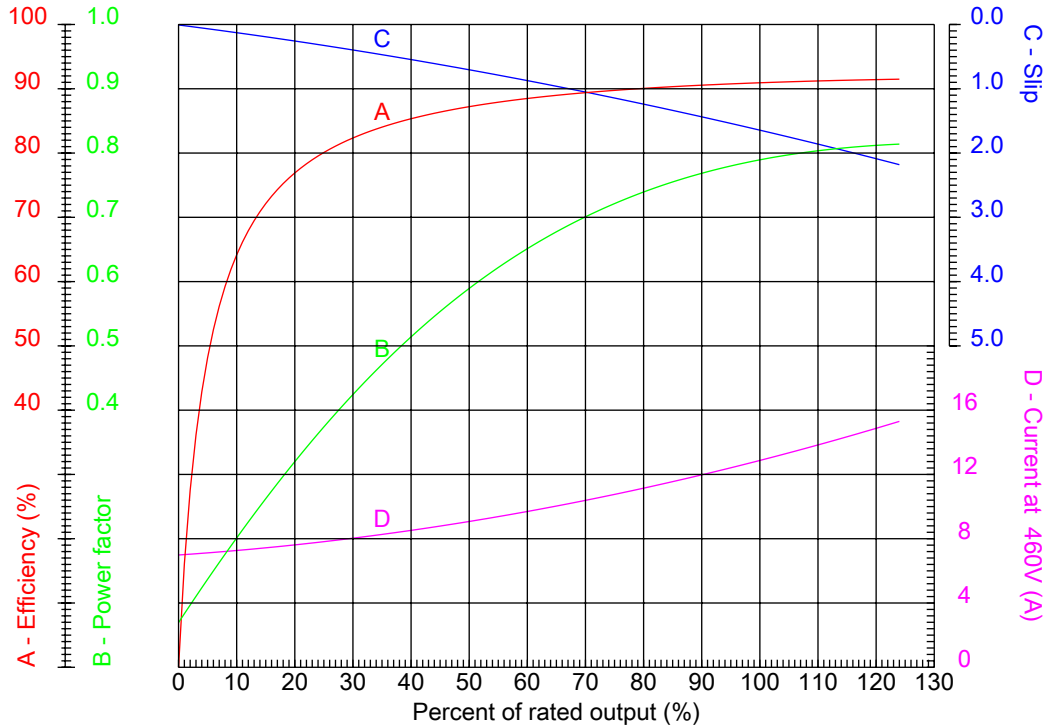
# Dealers Industrial Equipment

No.:

Date: 13-SEP-2016

## PERFORMANCE CURVES RELATED TO RATED OUTPUT

Three-phase induction motor - Squirrel cage rotor



Customer :  
 Product line : Three-Phase: W22 IE3 IEC Tru-Metric - TEFC (IP55) Cast Iron Frame

Frame	: 160M	Locked rotor current (I <sub>l</sub> /I <sub>n</sub> )	: 7.4
Output	: 10 HP	Duty cycle	: S1
Frequency	: 60 Hz	Service factor	: 1.25
Full load speed	: 1180 rpm	Design	: ---
Voltage	: 460 V	Locked rotor torque	: 270 %
Rated current	: 13.1 A	Breakdown torque	: 350 %
Insulation class	: F		

Notes:  
 Downloaded from <http://dealerselectric.com>  
 Generated for Model #00712ET3Y160M-W22

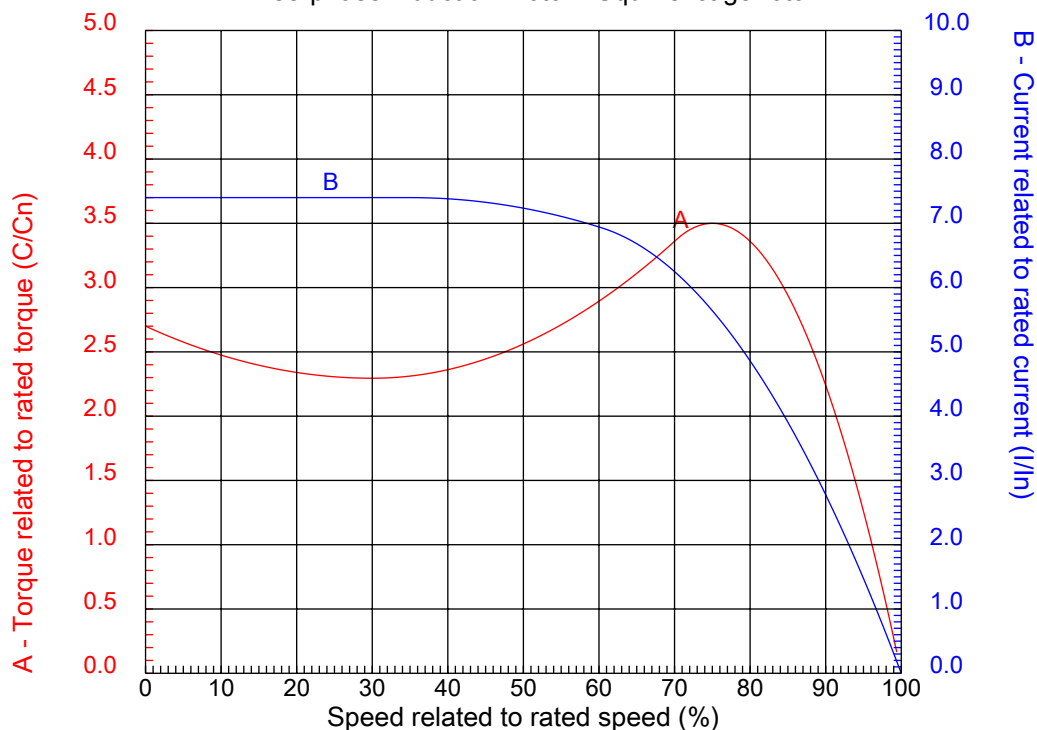
Performed by

Checked



## CHARACTERISTIC CURVES RELATED TO SPEED

Three-phase induction motor - Squirrel cage rotor



Customer :  
Product line : Three-Phase: W22 IE3 IEC Tru-Metric - TEFC (IP55) Cast Iron Frame

Frame	: 160M	Locked rotor current (I <sub>l</sub> /I <sub>n</sub> )	: 7.4
Output	: 10 HP	Duty cycle	: S1
Frequency	: 60 Hz	Service factor	: 1.25
Full load speed	: 1180 rpm	Design	: ---
Voltage	: 460 V	Locked rotor torque	: 270 %
Rated current	: 13.1 A	Breakdown torque	: 350 %
Insulation class	: F		

Notes:  
Downloaded from <http://dealerselectric.com>  
Generated for Model #00712ET3Y160M-W22

Performed by

Checked

1 2 3 4 5 6 7 8

A

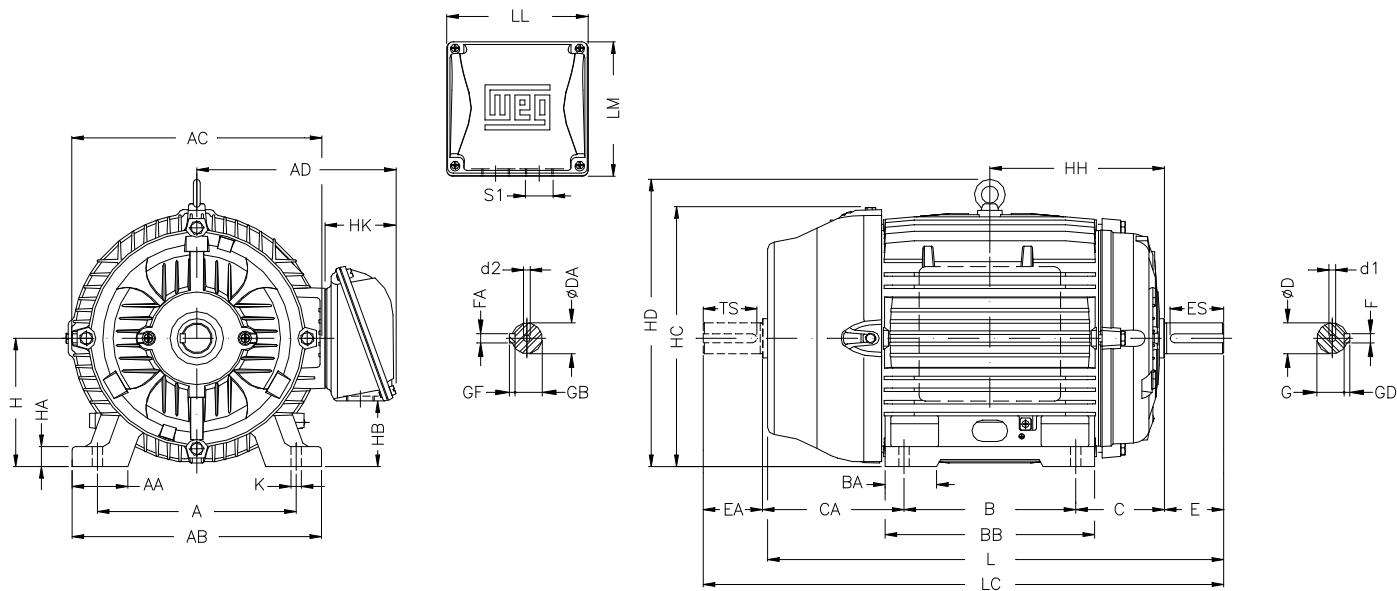
B

C

D

E

F



Notes: Downloaded from <http://dealerselectric.com>  
Generated for Model #00712ET3Y160M-W22

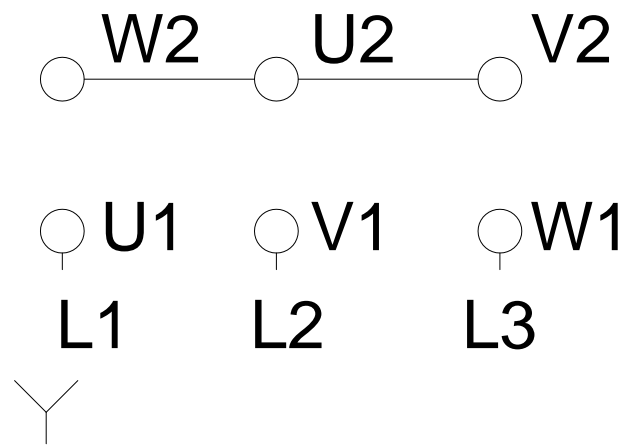
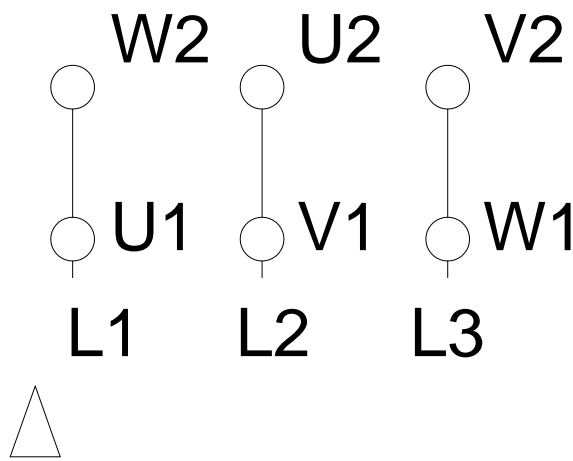
A 254	AA 64	AB 308	AC 329	AD 266
B 210	BA 63	BB 254	C 108	CA 174
D 42k6	E 110	ES 80	F 12	G 37
GD 8	DA 42k6	EA 110	TS 80	FA 12
GB 37	GF 8	H 160	HA 22	HC 331
HD 374	K 14.5	L 598	LC 712	S1 2xM40x1,5
d1 DM16	d2 DM16			

Performed by:	
Checked:	
Customer:	
Three-Phase: W22 IE3 IEC Tru-Metric - TEFC (IP55) Cast Iron Frame	
Three-phase induction motor Frame 160M - IP55	13-SEP-2016



# LOW VOLTAGE

# HIGH VOLTAGE



Notes: Downloaded from <http://dealerselectric.com>  
Generated for Model #00712ET3Y160M-W22

Performed by:

Checked:

Customer:

Three-Phase: W22 IE3 IEC Tru-Metric - TEFC (IP55) Cast Iron Frame

Three-phase induction motor  
Frame 160M - IP55

13-SEP-2016

