



# Dealers Industrial Equipment

No.:

Date: 13-SEP-2016

Customer :

## TECHNICAL PROPOSAL

### Three-phase induction motor - Squirrel cage rotor

Product line : W22 Cooling Tower Motors: NEMA Premium - TEAO

Catalog Number : 00712AT3ECT254TF1-W2

List Price : \$2,506

#### Notes:

Downloaded from <http://dealerselectric.com>

Generated for Model #00712AT3ECT254TF1-W2

Performed by:

Checked:



Dealers Industrial Equipment

No.:

Date: 13-SEP-2016

### DATA SHEET Three-phase induction motor - Squirrel cage rotor

Customer :  
Product line : W22 Cooling Tower Motors: NEMA Premium - TEAO

Frame : 254T  
Output : 7.5 HP  
Frequency : 60 Hz  
Poles : 6  
Full load speed : 1175 rpm  
Slip : 2.08 %  
Voltage : 208-230/460 V  
Rated current : 21.0-19.0/9.48 A  
Locked rotor current : 129/64.5 A  
Locked rotor current (I<sub>L</sub>/I<sub>n</sub>) : 6.8  
No-load current : 9.00/4.50 A  
Full load torque : 33.1 lb.ft  
Locked rotor torque : 250 %  
Breakdown torque : 300 %  
Design : B  
Insulation class : F  
Temperature rise : 80 K  
Locked rotor time : 30 s (hot)  
Service factor : 1.25  
Duty cycle : S1  
Ambient temperature : -20°C - +40°C  
Altitude : 1000 m  
Degree of Protection : IP55  
Approximate weight : 262 lb  
Moment of inertia : 3.9197 sq.ft.lb  
Noise level : 59 dB(A)

	D.E.	N.D.E.
Bearings	6309 2RS-C3	6209 2RS-C3
Regreasing interval	---	---
Grease amount	---	---

Load	Power factor	Efficiency (%)
100%	0.80	91.0
75%	0.74	90.2
50%	0.63	89.5

Notes:  
Downloaded from <http://dealerselectric.com>  
Generated for Model #00712AT3ECT254TF1-W2

Performed by

Checked



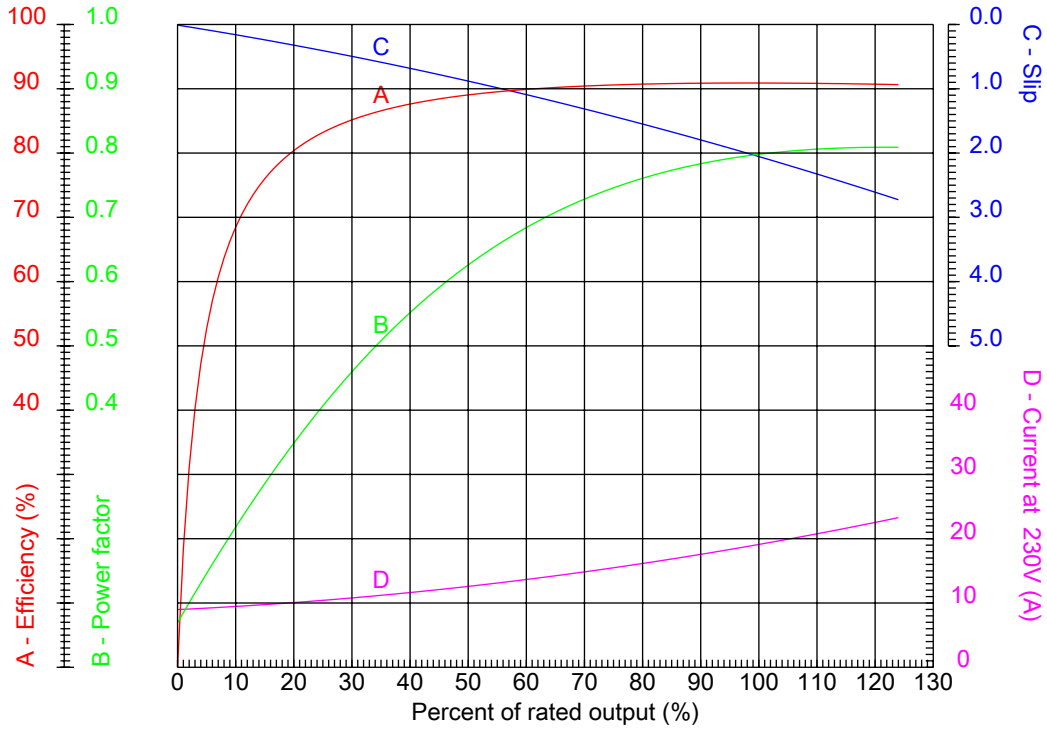
# Dealers Industrial Equipment

No.:

Date: 13-SEP-2016

## PERFORMANCE CURVES RELATED TO RATED OUTPUT

Three-phase induction motor - Squirrel cage rotor



Customer :  
 Product line : W22 Cooling Tower Motors: NEMA Premium - TEAO

Frame : 254T	Locked rotor current (I <sub>l</sub> /I <sub>n</sub> ) : 6.8
Output : 7.5 HP	Duty cycle : S1
Frequency : 60 Hz	Service factor : 1.25
Full load speed : 1175 rpm	Design : B
Voltage : 208-230/460 V	Locked rotor torque : 250 %
Rated current : 21.0-19.0/9.48 A	Breakdown torque : 300 %
Insulation class : F	

Notes:  
 Downloaded from <http://dealerselectric.com>  
 Generated for Model #00712AT3ECT254TF1-W2

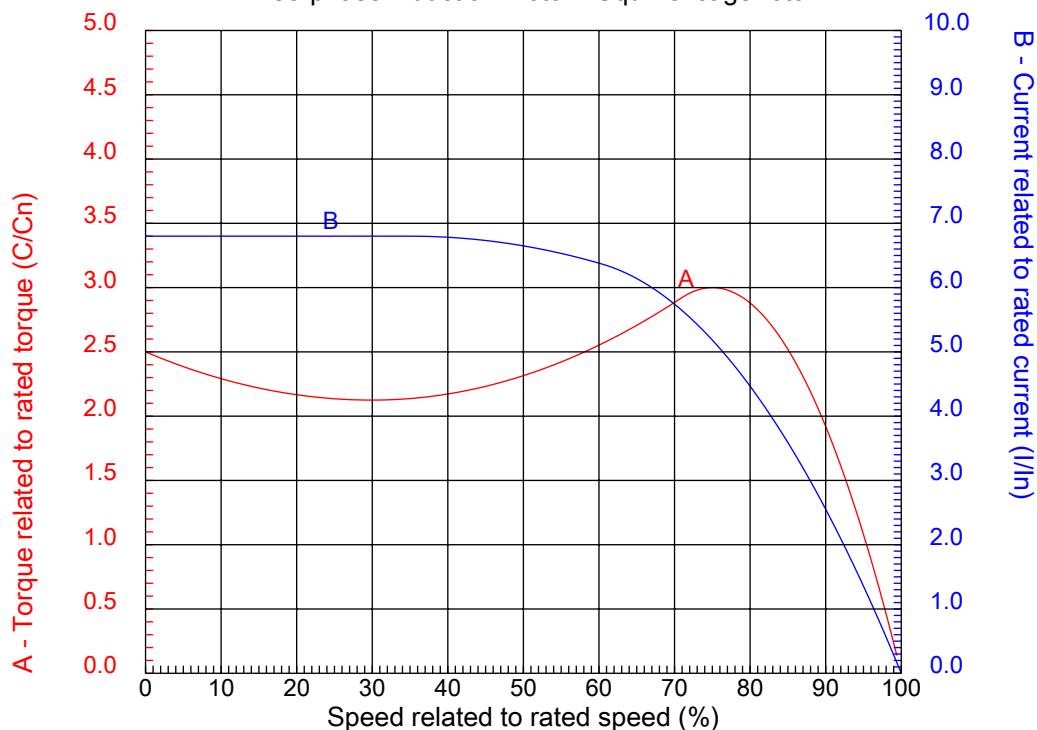
Performed by

Checked



## CHARACTERISTIC CURVES RELATED TO SPEED

Three-phase induction motor - Squirrel cage rotor



Customer :  
Product line : W22 Cooling Tower Motors: NEMA Premium - TEAO

Frame	: 254T	Locked rotor current (I <sub>l</sub> /I <sub>n</sub> )	: 6.8
Output	: 7.5 HP	Duty cycle	: S1
Frequency	: 60 Hz	Service factor	: 1.25
Full load speed	: 1175 rpm	Design	: B
Voltage	: 208-230/460 V	Locked rotor torque	: 250 %
Rated current	: 21.0-19.0/9.48 A	Breakdown torque	: 300 %
Insulation class	: F		

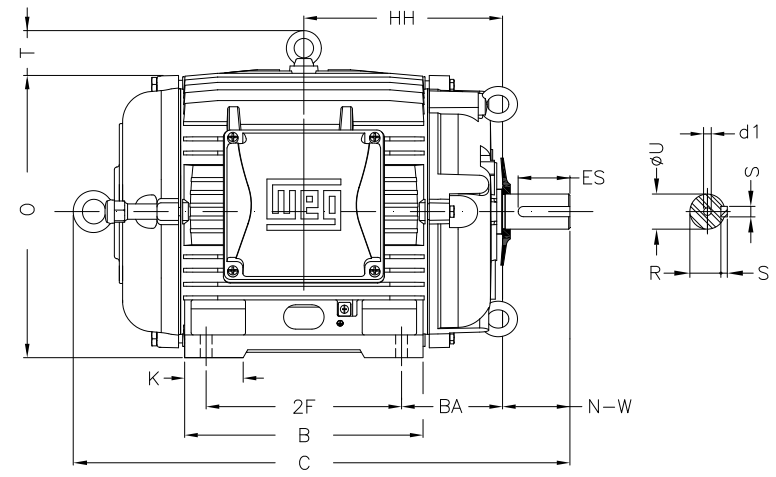
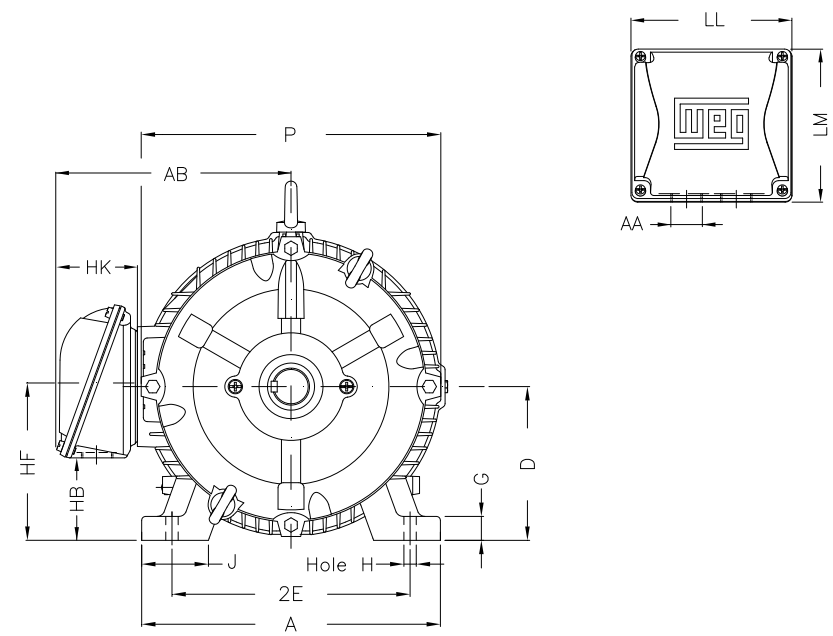
Notes:  
Downloaded from <http://dealerselectric.com>  
Generated for Model #00712AT3ECT254TF1-W2

Performed by

Checked

1 2 3 4 5 6 7 8

A  
B  
C  
D  
E  
F



Notes: Downloaded from <http://dealerselectric.com>  
Generated for Model #00712AT3ECT254TF1-W2

Performed by:

Checked:

Customer:

W22 Cooling Tower Motors: NEMA Premium - TEAO

2E 10.000	J 2.539	A 12.126	P 12.480	AB 10.483
2F 8.252	K 2.559	B 10.000	BA 4.250	U 1.625
N-W 4.000	ES 2.756	S 0.375	R 1.416	depth 0.375
D 6.250	G 0.827	HB 3.061	O 12.598	T 2.087
HF 6.565	HH 8.376	HK 3.976	H 0.531	C 21.594
LL 7.815	LM 7.480	AA NPT 1 1/2"	d1 A 4	

Three-phase induction motor  
Frame 254T - IP55

13-SEP-2016

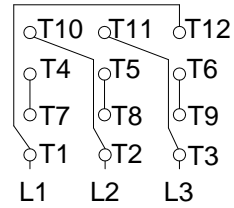
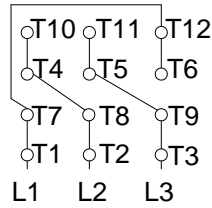


1 2 3 4 5 6 7 8

A  
B  
C  
D  
E  
F

LOW VOLTAGE

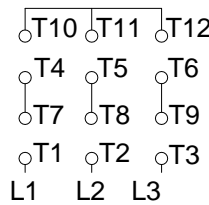
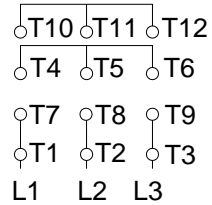
HIGH VOLTAGE



CONNECTIONS FOR STARTING ONLY:

LOW VOLTAGE

HIGH VOLTAGE



Notes: Downloaded from <http://dealerselectric.com>  
Generated for Model #00712AT3ECT254TF1-W2

Performed by:

Checked:

Customer:

W22 Cooling Tower Motors: NEMA Premium - TEAO

Three-phase induction motor  
Frame 254T - IP55

13-SEP-2016

