



Dealers Industrial Equipment

No.:

Date: 13-SEP-2016

Customer :

TECHNICAL PROPOSAL

Three-phase induction motor - Squirrel cage rotor

Product line : Three-Phase: W22 IE2 IEC Tru-Metric - TEFC (IP55) Cast Iron Frame

Catalog Number : 00709EP3Y160L-W22

List Price : \$2,412

Notes:

Downloaded from <http://dealerselectric.com>

Generated for Model #00709EP3Y160L-W22

Performed by:

Checked:



# Dealers Industrial Equipment

No.:

Date: 13-SEP-2016

## DATA SHEET Three-phase induction motor - Squirrel cage rotor

Customer :  
 Product line : Three-Phase: W22 IE2 IEC Tru-Metric - TEFC (IP55) Cast Iron Frame

Frame : 160L  
 Output : 10 HP  
 Frequency : 60 Hz  
 Poles : 8  
 Full load speed : 875 rpm  
 Slip : 2.78 %  
 Voltage : 460 V  
 Rated current : 15.6 A  
 Locked rotor current : 81.1 A  
 Locked rotor current (I<sub>L</sub>/I<sub>n</sub>) : 5.2  
 No-load current : 9.30 A  
 Full load torque : 59.2 lb.ft  
 Locked rotor torque : 260 %  
 Breakdown torque : 260 %  
 Design : ---  
 Insulation class : F  
 Temperature rise : 80 K  
 Locked rotor time : 22 s (hot)  
 Service factor : 1.15  
 Duty cycle : S1  
 Ambient temperature : -20°C - +40°C  
 Altitude : 1000 m  
 Degree of Protection : IP55  
 Approximate weight : 306 lb  
 Moment of inertia : 3.4086 sq.ft.lb  
 Noise level : 54 dB(A)

	D.E.	N.D.E.
Bearings	6309 C3	6209 C3
Regreasing interval	20000 h	20000 h
Grease amount	13 g	9 g

Load	Power factor	Efficiency (%)
100%	0.68	88.5
75%	0.59	87.5
50%	0.47	85.5

Notes:  
 Downloaded from <http://dealerselectric.com>  
 Generated for Model #00709EP3Y160L-W22

Performed by

Checked



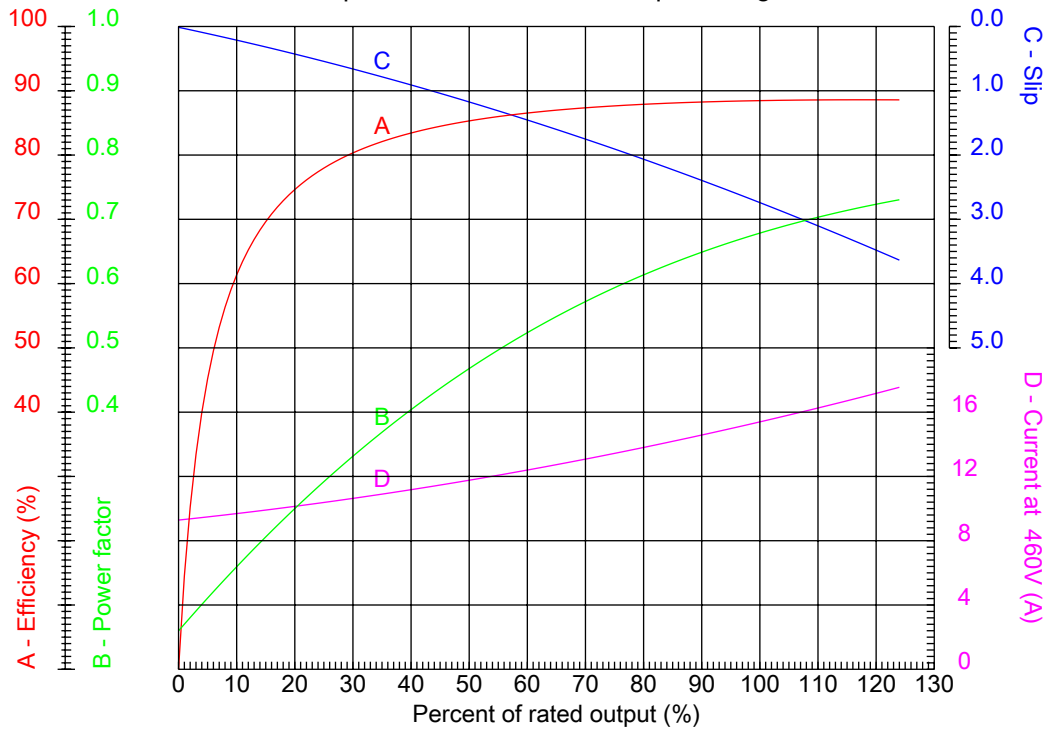
# Dealers Industrial Equipment

No.:

Date: 13-SEP-2016

## PERFORMANCE CURVES RELATED TO RATED OUTPUT

Three-phase induction motor - Squirrel cage rotor



Customer :  
Product line : Three-Phase: W22 IE2 IEC Tru-Metric - TEFC (IP55) Cast Iron Frame

Frame : 160L	Locked rotor current (I <sub>l</sub> /I <sub>n</sub> ) : 5.2
Output : 10 HP	Duty cycle : S1
Frequency : 60 Hz	Service factor : 1.15
Full load speed : 875 rpm	Design : ---
Voltage : 460 V	Locked rotor torque : 260 %
Rated current : 15.6 A	Breakdown torque : 260 %
Insulation class : F	

Notes:  
Downloaded from <http://dealerselectric.com>  
Generated for Model #00709EP3Y160L-W22

Performed by

Checked



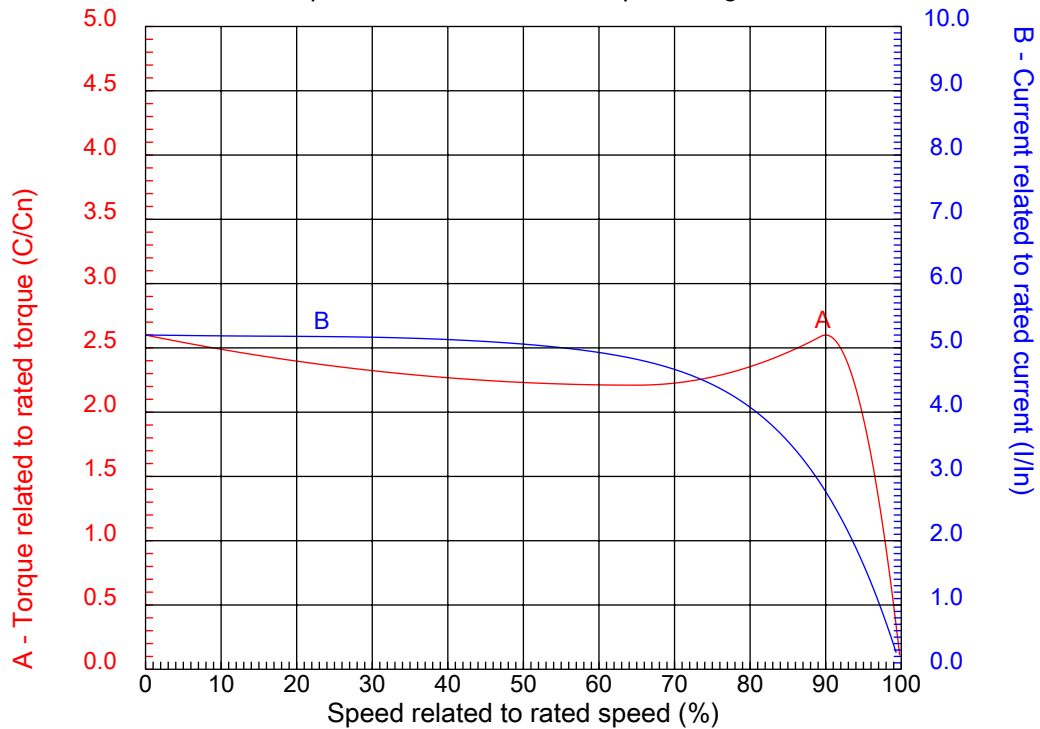
# Dealers Industrial Equipment

No.:

Date: 13-SEP-2016

## CHARACTERISTIC CURVES RELATED TO SPEED

Three-phase induction motor - Squirrel cage rotor



Customer :  
Product line : Three-Phase: W22 IE2 IEC Tru-Metric - TEFC (IP55) Cast Iron Frame

Frame	: 160L	Locked rotor current (I <sub>l</sub> /I <sub>n</sub> )	: 5.2
Output	: 10 HP	Duty cycle	: S1
Frequency	: 60 Hz	Service factor	: 1.15
Full load speed	: 875 rpm	Design	: ---
Voltage	: 460 V	Locked rotor torque	: 260 %
Rated current	: 15.6 A	Breakdown torque	: 260 %
Insulation class	: F		

Notes:  
Downloaded from <http://dealerselectric.com>  
Generated for Model #00709EP3Y160L-W22

Performed by

Checked

1 2 3 4 5 6 7 8

A

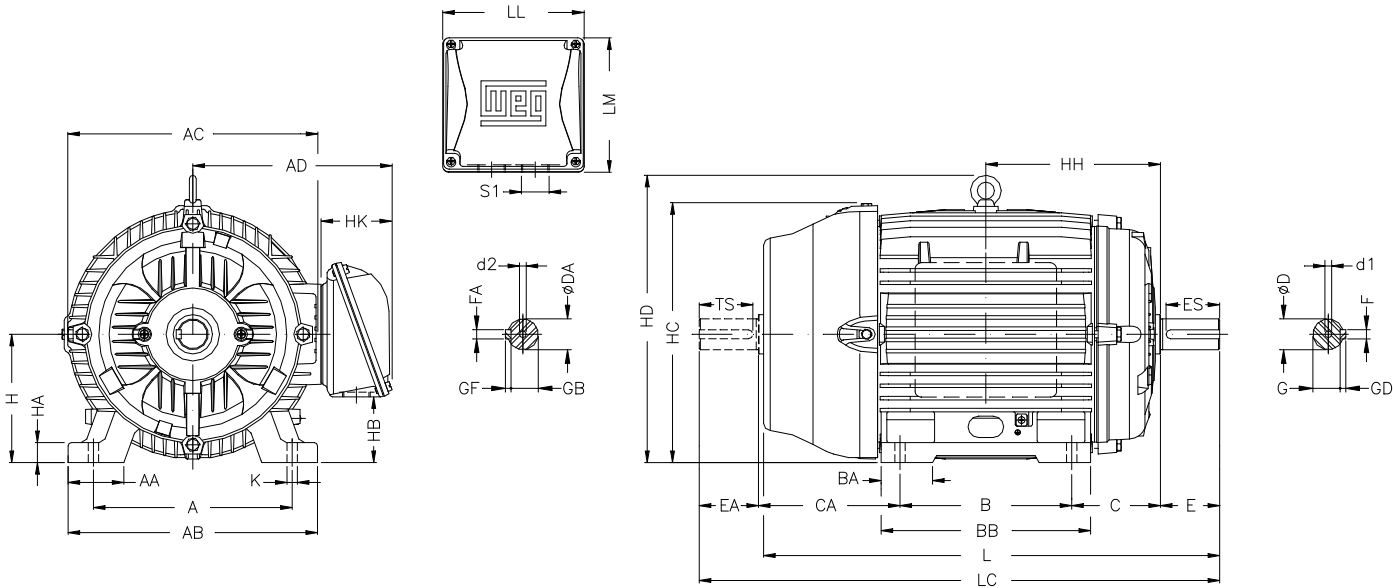
B

C

D

E

F



Notes: Downloaded from <http://dealerselectric.com>  
Generated for Model #00709EP3Y160L-W22

Performed by:

Checked:

Customer:

Three-Phase: W22 IE2 IEC Tru-Metric - TEFC (IP55) Cast Iron Frame

Three-phase induction motor  
Frame 160L - IP55

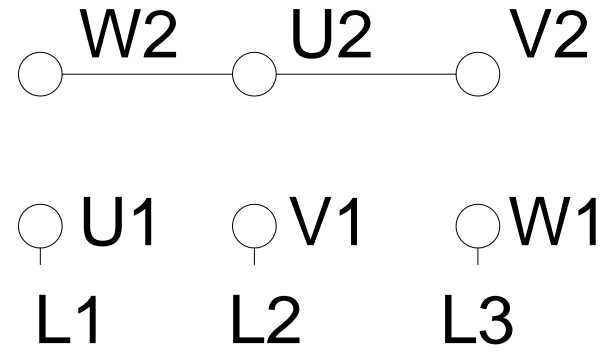
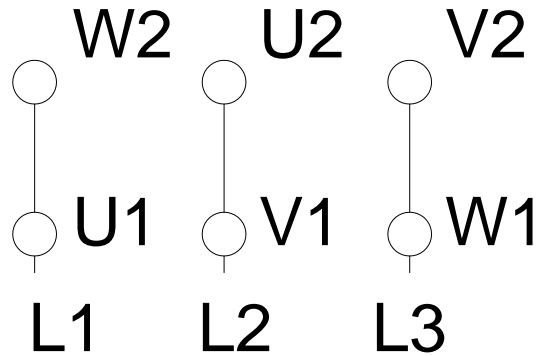
13-SEP-2016



A	AA	AB	AC	AD
254	64	308	329	266
B	BA	BB	C	CA
254	63	298	108	174
D	E	ES	F	G
42k6	110	80	12	37
GD	DA	EA	TS	FA
8	42k6	110	80	12
GB	GF	H	HA	HB
37	8	160	22	79
HC	HD	HF	HH	HK
331	374	168	235	101
K	L	LC	LL	LM
14.5	642	756	198.5	190
S1	d1	d2		
2xM40x1.5	DM16	DM16		

# LOW VOLTAGE

# HIGH VOLTAGE



Notes: Downloaded from <http://dealerselectric.com>  
Generated for Model #00709EP3Y160L-W22

Performed by:

Checked:

Customer:

Three-Phase: W22 IE2 IEC Tru-Metric - TEFC (IP55) Cast Iron Frame

Three-phase induction motor  
Frame 160L - IP55

13-SEP-2016

