



# Dealers Industrial Equipment

No.:

Date: 13-SEP-2016

Customer :

## TECHNICAL PROPOSAL

### Three-phase induction motor - Squirrel cage rotor

Product line : Three-Phase : Explosion Proof - NEMA Premium

Catalog Number : 00536XT3E184TC

List Price : \$1,325

#### Notes:

Downloaded from <http://dealerselectric.com>

Generated for Model #00536XT3E184TC

Performed by:

Checked:



# Dealers Industrial Equipment

No.:

Date: 13-SEP-2016

## DATA SHEET Three-phase induction motor - Squirrel cage rotor

Customer :  
 Product line : Three-Phase : Explosion Proof - NEMA Premium

Frame : 184T  
 Output : 5 HP  
 Frequency : 60 Hz  
 Poles : 2  
 Full load speed : 3490 rpm  
 Slip : 3.06 %  
 Voltage : 208-230/460 V  
 Rated current : 13.5-12.2/6.10 A  
 Locked rotor current : 91.5/45.8 A  
 Locked rotor current (I<sub>L</sub>/I<sub>n</sub>) : 7.5  
 No-load current : 4.40/2.20 A  
 Full load torque : 7.42 lb.ft  
 Locked rotor torque : 250 %  
 Breakdown torque : 380 %  
 Design : B  
 Insulation class : F  
 Temperature rise : 80 K  
 Locked rotor time : 26 s (hot)  
 Service factor : 1.15  
 Duty cycle : S1  
 Ambient temperature : -20°C - +40°C  
 Altitude : 1000 m  
 Degree of Protection : IP55  
 Approximate weight : 106 lb  
 Moment of inertia : 0.18889 sq.ft.lb  
 Noise level : 69 dB(A)

	D.E.	N.D.E.
Bearings	6307 2RS	6206 2RS
Regreasing interval	---	---
Grease amount	---	---

Load	Power factor	Efficiency (%)
100%	0.86	88.5
75%	0.81	87.5
50%	0.70	85.5

Notes:  
 Downloaded from <http://dealerselectric.com>  
 Generated for Model #00536XT3E184TC

Performed by

Checked



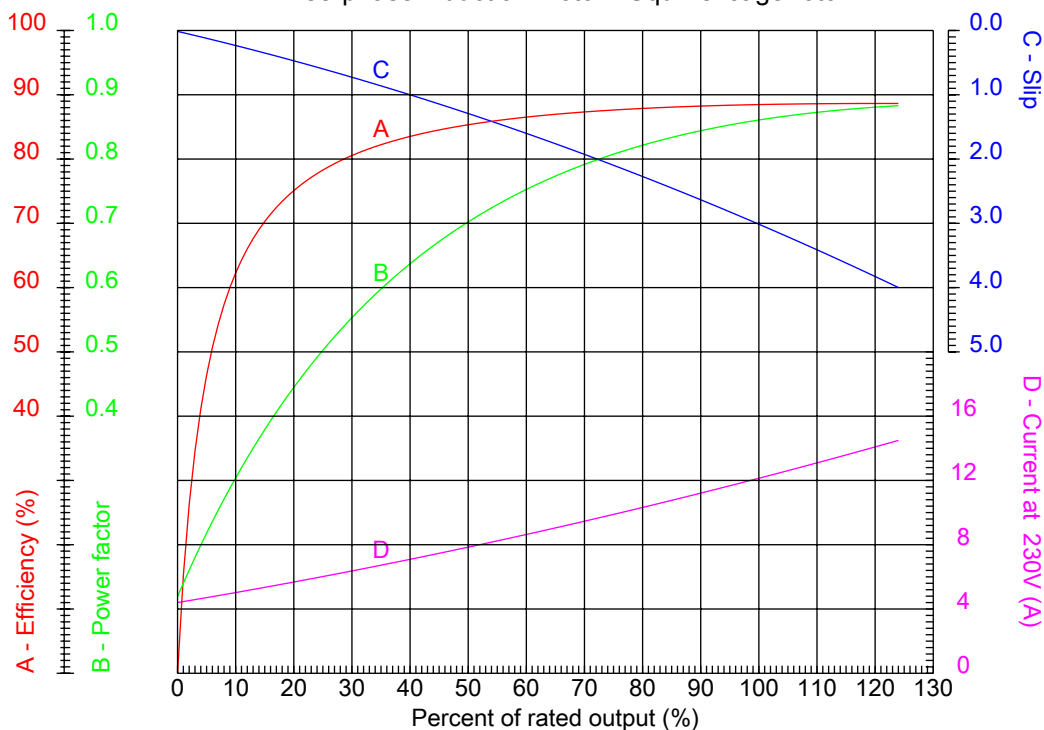
# Dealers Industrial Equipment

No.:

Date: 13-SEP-2016

## PERFORMANCE CURVES RELATED TO RATED OUTPUT

Three-phase induction motor - Squirrel cage rotor



Customer :  
Product line : Three-Phase : Explosion Proof - NEMA Premium

Frame	: 184T	Locked rotor current (I <sub>L</sub> /I <sub>n</sub> )	: 7.5
Output	: 5 HP	Duty cycle	: S1
Frequency	: 60 Hz	Service factor	: 1.15
Full load speed	: 3490 rpm	Design	: B
Voltage	: 208-230/460 V	Locked rotor torque	: 250 %
Rated current	: 13.5-12.2/6.10 A	Breakdown torque	: 380 %
Insulation class	: F		

Notes:  
Downloaded from <http://dealerselectric.com>  
Generated for Model #00536XT3E184TC

Performed by

Checked



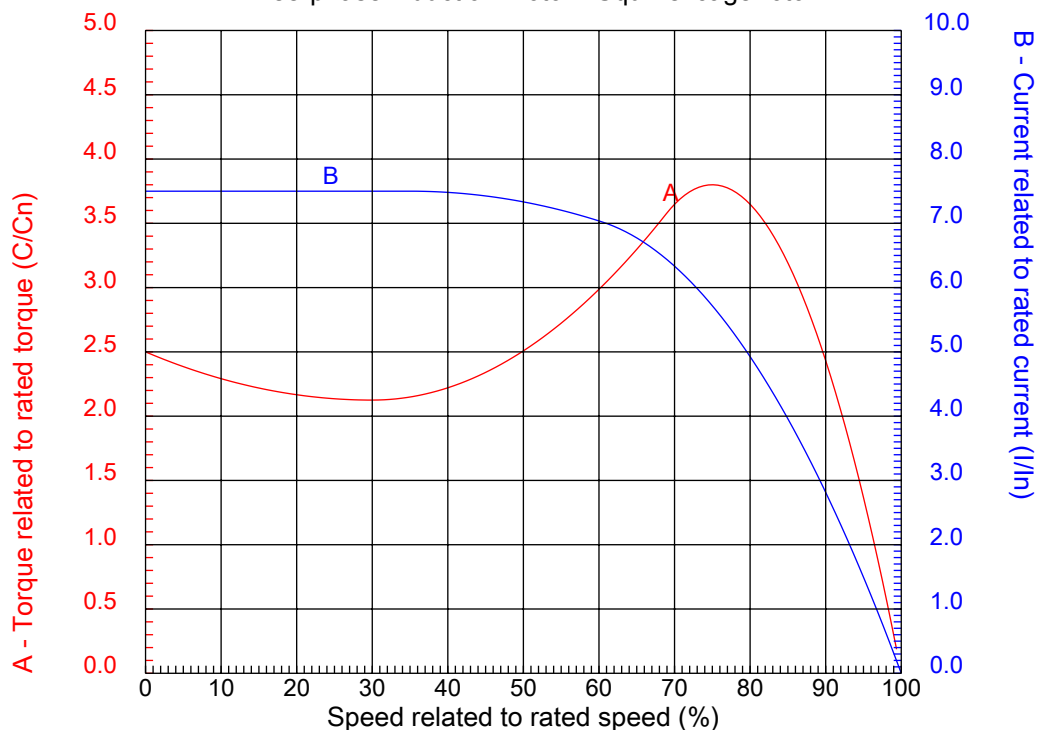
# Dealers Industrial Equipment

No.:

Date: 13-SEP-2016

## CHARACTERISTIC CURVES RELATED TO SPEED

Three-phase induction motor - Squirrel cage rotor



Customer :  
Product line : Three-Phase : Explosion Proof - NEMA Premium

Frame	: 184T	Locked rotor current (I <sub>l</sub> /I <sub>n</sub> )	: 7.5
Output	: 5 HP	Duty cycle	: S1
Frequency	: 60 Hz	Service factor	: 1.15
Full load speed	: 3490 rpm	Design	: B
Voltage	: 208-230/460 V	Locked rotor torque	: 250 %
Rated current	: 13.5-12.2/6.10 A	Breakdown torque	: 380 %
Insulation class	: F		

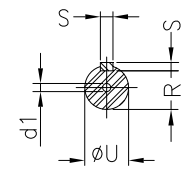
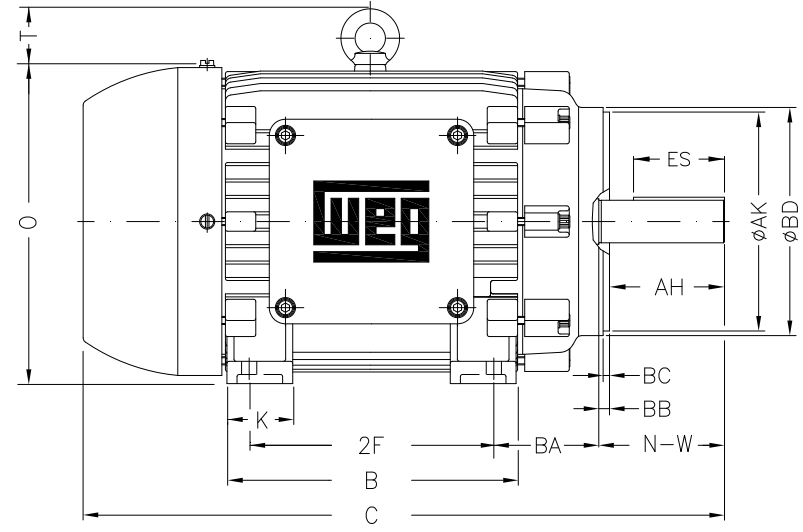
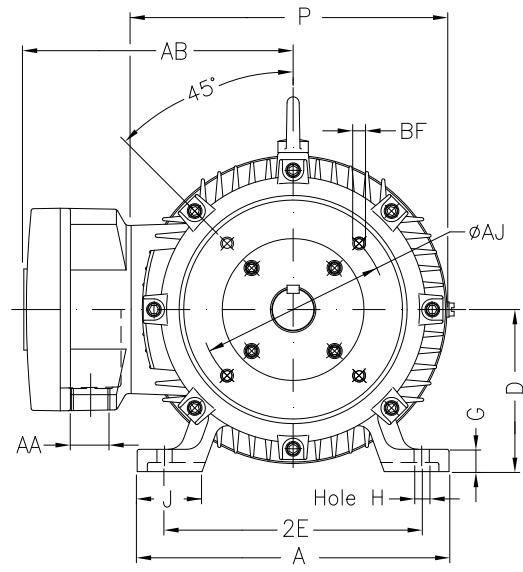
Notes:  
Downloaded from <http://dealerselectric.com>  
Generated for Model #00536XT3E184TC

Performed by

Checked

1 2 3 4 5 6 7 8

A  
B  
C  
D  
E  
F



Notes: Downloaded from <http://dealerselectric.com>  
Generated for Model #00536XT3E184TC

2E 7.500	A 8.661	2F 5.500	B 6.969	BA 2.750
J 1.890	K 1.969	P 8.909	ES 1.969	depth 0.250
S 0.250	N-W 2.750	U 1.125	R 0.984	AB 8.240
D 4.500	G 0.787	O 9.421	T 1.772	H 0.406
C 15.862	AA NPT 3/4"	d1 A 4	d2 A 4	Flange FC-184
AJ 7.250	AK 8.500	BD 8.875	BF UNC 1/2"x13	BB 0.250
BC 0.125	AH 2.625			

Performed by:

Checked:

Customer:

Three-Phase : Explosion Proof - NEMA Premium

Three-phase induction motor  
Frame 184T - IP55

13-SEP-2016



1 2 3 4 5 6 7 8

# LOW VOLTAGE

# HIGH VOLTAGE

A  
B  
C  
D  
E  
F



Notes: Downloaded from <a href="http://dealerselectric.com">http://dealerselectric.com</a> Generated for Model #00536XT3E184TC		
Performed by:		
Checked:		
Customer:		
Three-Phase : Explosion Proof - NEMA Premium		
Three-phase induction motor Frame 184T - IP55	13-SEP-2016	