



Dealers Industrial Equipment

No.:

Date: 13-SEP-2016

Customer :

TECHNICAL PROPOSAL

Three-phase induction motor - Squirrel cage rotor

Product line : Close Coupled Pump: Three-Phase - W01 (Rolled Steel) "JP" Type - ODP -
NEMA Premium Efficiency
Catalog Number : 00536OT3E182JP-S
List Price : \$792

Notes:

Downloaded from <http://dealerselectric.com>
Generated for Model #00536OT3E182JP-S

Performed by:

Checked:



Dealers Industrial Equipment

No.:

Date: 13-SEP-2016

DATA SHEET Three-phase induction motor - Squirrel cage rotor

Customer :
Product line : Close Coupled Pump: Three-Phase - W01 (Rolled Steel) "JP" Type - ODP - NEMA Premium Efficiency

Frame : 182/4JP
Output : 5 HP
Frequency : 60 Hz
Poles : 2
Full load speed : 3510 rpm
Slip : 2.50 %
Voltage : 208-230/460 V
Rated current : 13.5-12.2/6.10 A
Locked rotor current : 92.7/46.4 A
Locked rotor current (I_L/I_n) : 7.6
No-load current : 5.15/2.58 A
Full load torque : 7.38 lb.ft
Locked rotor torque : 190 %
Breakdown torque : 300 %
Design : B
Insulation class : F
Temperature rise : 80 K
Locked rotor time : 12 s (hot)
Service factor : 1.15
Duty cycle : S1
Ambient temperature : -20°C - +40°C
Altitude : 1000 m
Degree of Protection : ODP
Approximate weight : 59 lb
Moment of inertia : 0.13858 sq.ft.lb
Noise level : 65 dB(A)

| | D.E. | N.D.E. |
|---------------------|---------|---------|
| Bearings | 6207 ZZ | 6205 ZZ |
| Regreasing interval | --- | --- |
| Grease amount | --- | --- |

| Load | Power factor | Efficiency (%) |
|------|--------------|----------------|
| 100% | 0.88 | 86.5 |
| 75% | 0.83 | 86.5 |
| 50% | 0.73 | 85.5 |

Notes:
Downloaded from <http://dealerselectric.com>
Generated for Model #00536OT3E182JP-S

Performed by

Checked



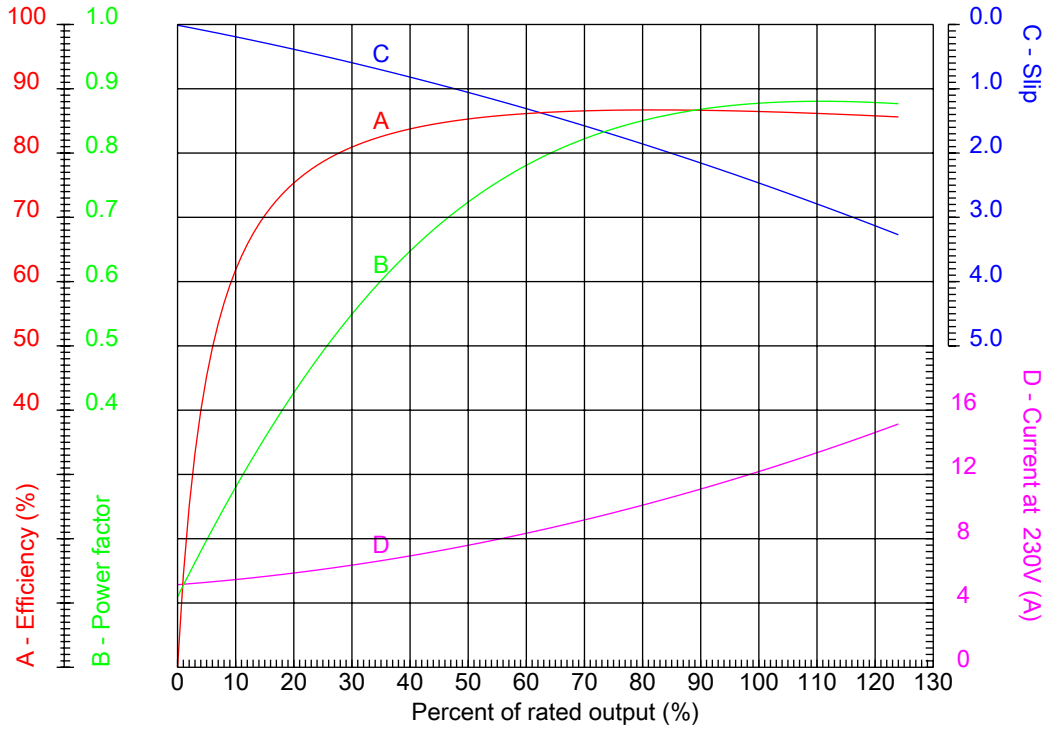
Dealers Industrial Equipment

No.:

Date: 13-SEP-2016

PERFORMANCE CURVES RELATED TO RATED OUTPUT

Three-phase induction motor - Squirrel cage rotor



Customer :
 Product line : Close Coupled Pump: Three-Phase - W01 (Rolled Steel) "JP" Type - ODP - NEMA Premium Efficiency

| | | | |
|------------------|--------------------|--|---------|
| Frame | : 182/4JP | Locked rotor current (I _l /I _n) | : 7.6 |
| Output | : 5 HP | Duty cycle | : S1 |
| Frequency | : 60 Hz | Service factor | : 1.15 |
| Full load speed | : 3510 rpm | Design | : B |
| Voltage | : 208-230/460 V | Locked rotor torque | : 190 % |
| Rated current | : 13.5-12.2/6.10 A | Breakdown torque | : 300 % |
| Insulation class | : F | | |

Notes:
 Downloaded from <http://dealerselectric.com>
 Generated for Model #00536OT3E182JP-S

Performed by

Checked



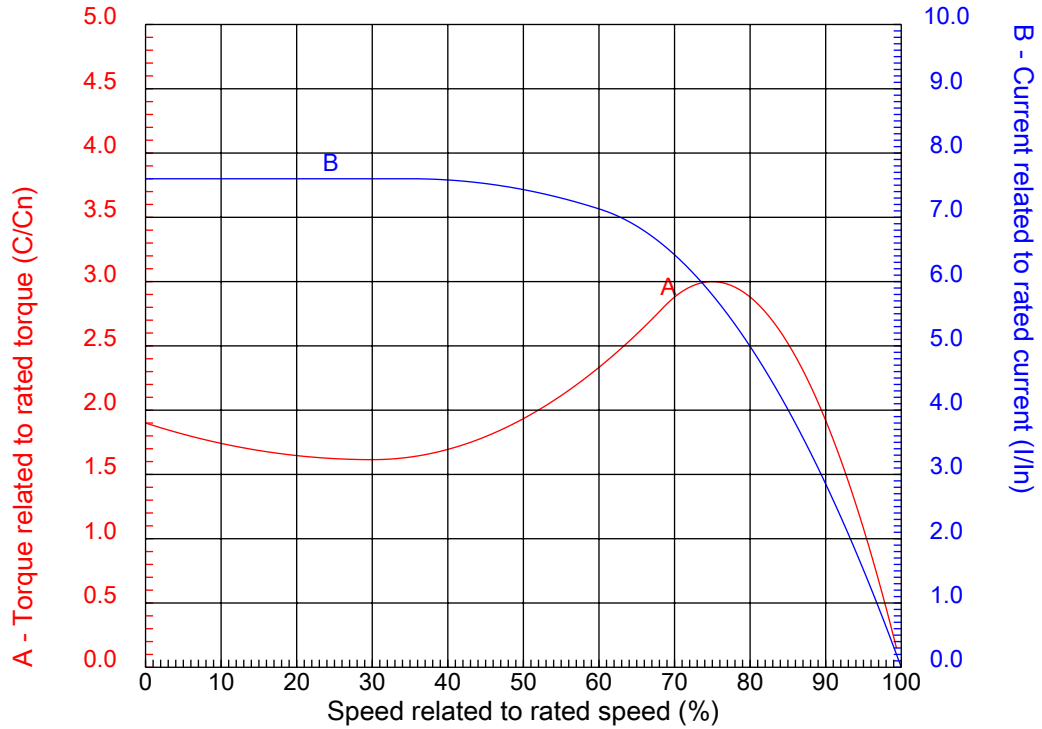
Dealers Industrial Equipment

No.:

Date: 13-SEP-2016

CHARACTERISTIC CURVES RELATED TO SPEED

Three-phase induction motor - Squirrel cage rotor



| | | |
|--------------|---|--|
| Customer | : | |
| Product line | : | Close Coupled Pump: Three-Phase - W01 (Rolled Steel) "JP" Type - ODP - NEMA Premium Efficiency |

| | | | | | |
|------------------|---|------------------|--|---|-------|
| Frame | : | 182/4JP | Locked rotor current (I _l /I _n) | : | 7.6 |
| Output | : | 5 HP | Duty cycle | : | S1 |
| Frequency | : | 60 Hz | Service factor | : | 1.15 |
| Full load speed | : | 3510 rpm | Design | : | B |
| Voltage | : | 208-230/460 V | Locked rotor torque | : | 190 % |
| Rated current | : | 13.5-12.2/6.10 A | Breakdown torque | : | 300 % |
| Insulation class | : | F | | | |

Notes:
 Downloaded from <http://dealerselectric.com>
 Generated for Model #00536OT3E182JP-S

Performed by

Checked

1 2 3 4 5 6 7 8

A

B

C

D

E

F



Notes: Downloaded from <http://dealerselectric.com>
Generated for Model #005360T3E182JP-S

| | | | | |
|-------------------|------------------|--------------|-------------|-------------|
| 2E 7.500 | J 1.299 | A 8.661 | P 8.114 | AB 6.696 |
| 2F 4.500/5.500 | B 6.299 | BA 3.500 | D 4.500 | G 0.167 |
| O 8.557 | H 0.406 | AA 1.118" | ER 7.319 | EQ 1.563 |
| ET 5.941 | U 0.8745 | EM 1.000 | EL 1.250 | EP 1.376 |
| ES 1.654 | t1 0.748 | t2 1.102 | C 19.331 | CH 1.377 |
| FC 8.661 | Flange FC-149 | AJ 5.874 | AK 4.500 | BD 6.496 |
| BF UNC 3/8"x16 | BB 0.138 | AH 7.319 | | |

Performed by:


Checked:

Customer:

Close Coupled Pump: Three-Phase - W01 (Rolled Steel) "JP" Type - ODP -

Three-phase induction motor
Frame 182/4JP - ODP

13-SEP-2016

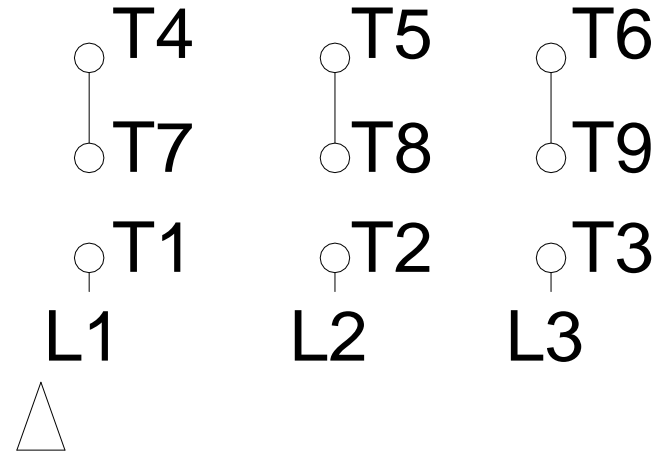
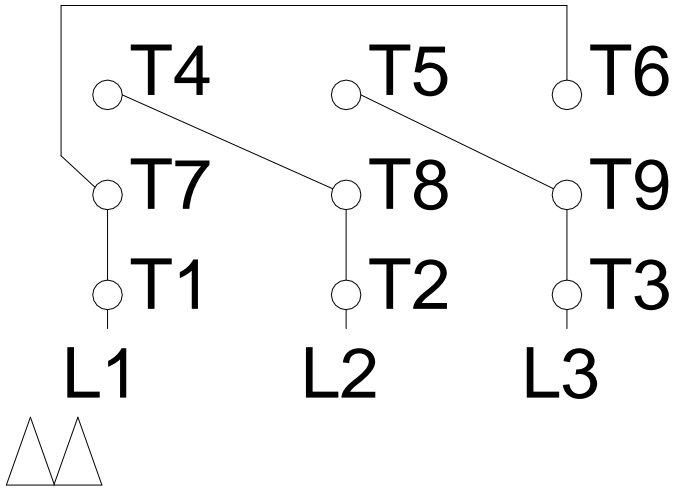


1 2 3 4 5 6 7 8

LOW VOLTAGE

HIGH VOLTAGE

A
B
C
D
E
F



Notes: Downloaded from <http://dealerselectric.com>
 Generated for Model #00536OT3E182JP-S

Performed by:

Checked:

Customer:

Close Coupled Pump: Three-Phase - W01 (Rolled Steel) "JP" Type - ODP -

Three-phase induction motor
 Frame 182/4JP - IP21

13-SEP-2016

