



Dealers Industrial Equipment

No.:

Date: 13-SEP-2016

Customer :

TECHNICAL PROPOSAL

Single-phase induction motor - Squirrel cage rotor

Product line : Single-Phase : ODP (IP22)

Catalog Number : 00536OS1D184T

List Price : \$862

Notes:

Downloaded from <http://dealerselectric.com>

Generated for Model #00536OS1D184T

Performed by:

Checked:



Dealers Industrial Equipment

No.:

Date: 13-SEP-2016

DATA SHEET Single-phase induction motor - Squirrel cage rotor

Customer :
Product line : Single-Phase : ODP (IP22)

Frame : 184T
Output : 5 HP
Frequency : 60 Hz
Poles : 2
Full load speed : 3500 rpm
Slip : 2.78 %
Voltage : 230 V
Rated current : 21.0 A
Locked rotor current : 137 A
Locked rotor current (I_L/I_n) : 6.5
No-load current : 4.80 A
Full load torque : 7.40 lb.ft
Locked rotor torque : 260 %
Breakdown torque : 200 %
Design : ---
Insulation class : F
Temperature rise : 80 K
Locked rotor time : 6 s (hot)
Service factor : 1.25
Duty cycle : S1
Ambient temperature : -20°C - +40°C
Altitude : 1000 m
Degree of Protection : IP22
Approximate weight : 104 lb
Moment of inertia : 0.25628 sq.ft.lb
Noise level : ---

	D.E.	N.D.E.
Bearings	6206 ZZ	6205 ZZ
Regreasing interval	---	---
Grease amount	---	---

Load	Power factor	Efficiency (%)
100%	0.92	81.5
75%	0.91	81.5
50%	0.85	80.0

Notes:
Downloaded from <http://dealerselectric.com>
Generated for Model #00536OS1D184T

Performed by

Checked



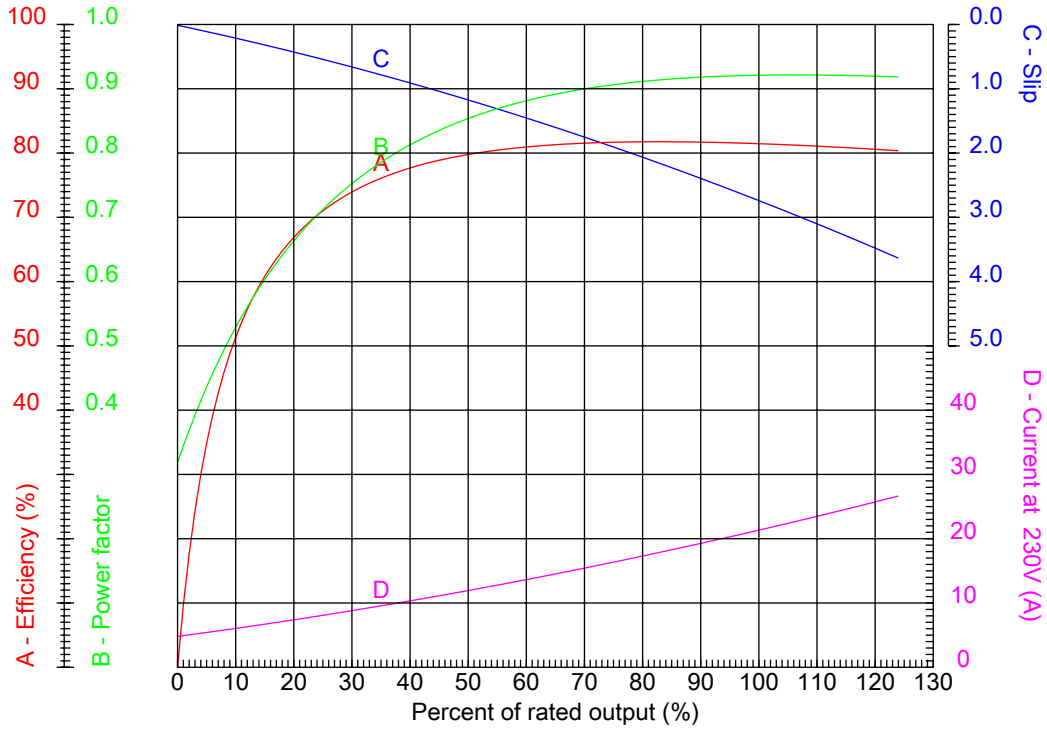
Dealers Industrial Equipment

No.:

Date: 13-SEP-2016

PERFORMANCE CURVES RELATED TO RATED OUTPUT

Single-phase induction motor - Squirrel cage rotor



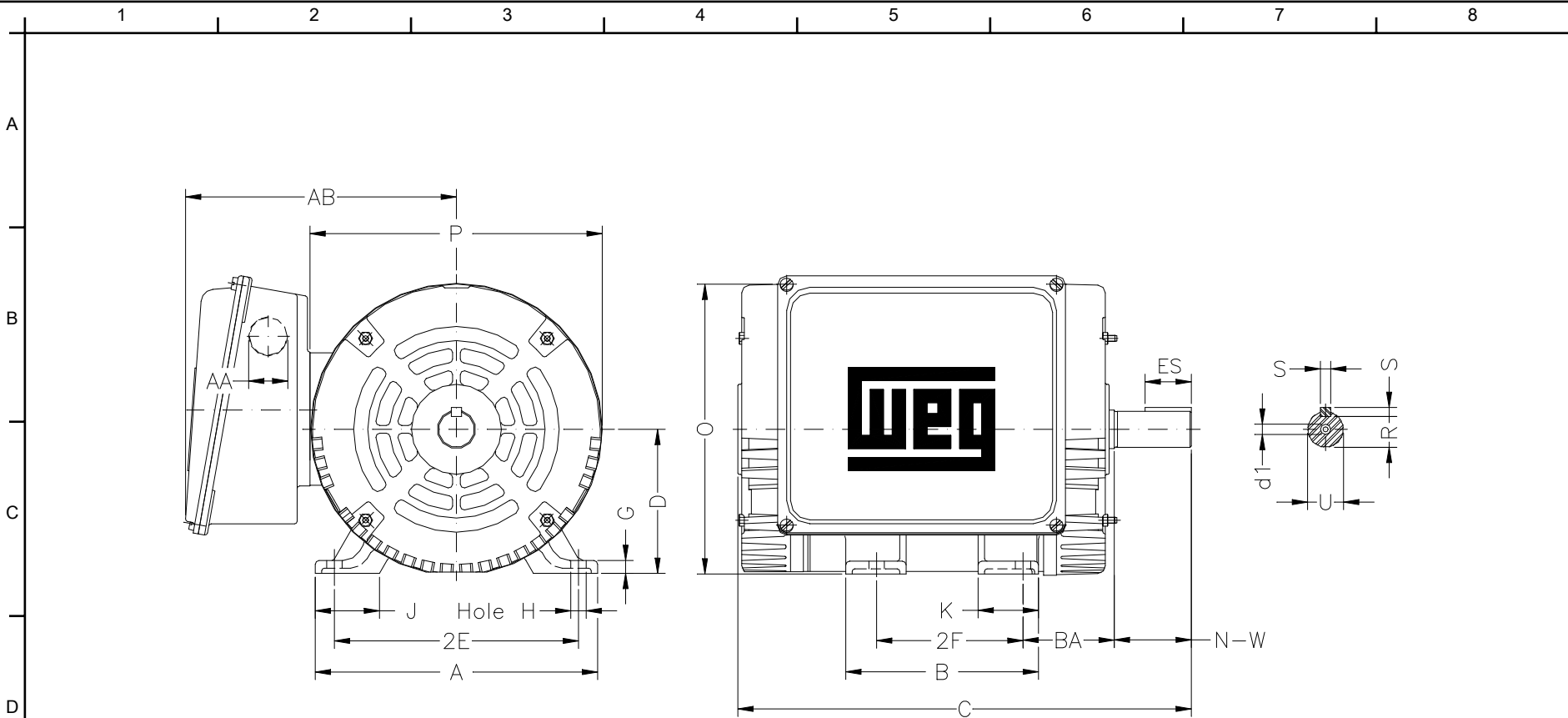
Customer :
Product line : Single-Phase : ODP (IP22)

Frame : 184T	Locked rotor current (I _l /I _n) : 6.5
Output : 5 HP	Duty cycle : S1
Frequency : 60 Hz	Service factor : 1.25
Full load speed : 3500 rpm	Design : ---
Voltage : 230 V	Locked rotor torque : 260 %
Rated current : 21.0 A	Breakdown torque : 200 %
Insulation class : F	

Notes:
Downloaded from <http://dealerselectric.com>
Generated for Model #00536OS1D184T

Performed by

Checked



Notes: Downloaded from <http://dealerselectric.com>
Generated for Model #00536OS1D184T

Performed by:

Checked:

Customer:

Single-Phase : ODP (IP22)

2E	2F	H	BA	A
7.500	5.500	0.406	2.750	8.661
B	C	D	G	J
7.165	14.870	4.500	0.472	1.968
K	O	P	ES	S
1.850	8.890	8.858	1.968	0.250
N-W	U	R	AB	AA
2.750	1.125	0.984	8.346	NPT 3/4"
d1				
A4				

Single-phase induction motor
Frame 184T - IP22

13-SEP-2016

