



Dealers Industrial Equipment

No.:

Date: 13-SEP-2016

Customer :

TECHNICAL PROPOSAL

Three-phase induction motor - Squirrel cage rotor

Product line : Three Phase: W01 (Rolled Steel) - TEFC - NEMA Premium Efficiency

Catalog Number : 00536ET3E184TC-S

List Price : \$793

Notes:

Downloaded from <http://dealerselectric.com>

Generated for Model #00536ET3E184TC-S

Performed by:

Checked:



Dealers Industrial Equipment

No.:

Date: 13-SEP-2016

DATA SHEET Three-phase induction motor - Squirrel cage rotor

Customer :
Product line : Three Phase: W01 (Rolled Steel) - TEFC - NEMA Premium Efficiency

Frame : 182/4T
Output : 5 HP
Frequency : 60 Hz
Poles : 2
Full load speed : 3500 rpm
Slip : 2.78 %
Voltage : 208-230/460 V
Rated current : 13.1-11.8/5.90 A
Locked rotor current : 92.0/46.0 A
Locked rotor current (I_L/I_n) : 7.8
No-load current : 4.40/2.20 A
Full load torque : 7.40 lb.ft
Locked rotor torque : 220 %
Breakdown torque : 300 %
Design : B
Insulation class : F
Temperature rise : 80 K
Locked rotor time : 17 s (hot)
Service factor : 1.15
Duty cycle : S1
Ambient temperature : -20°C - +40°C
Altitude : 1000 m
Degree of Protection : IP55
Approximate weight : 78 lb
Moment of inertia : 0.20787 sq.ft.lb
Noise level : 68 dB(A)

| | D.E. | N.D.E. |
|---------------------|---------|---------|
| Bearings | 6206 ZZ | 6205 ZZ |
| Regreasing interval | --- | --- |
| Grease amount | --- | --- |

| Load | Power factor | Efficiency (%) |
|------|--------------|----------------|
| 100% | 0.89 | 88.5 |
| 75% | 0.85 | 88.5 |
| 50% | 0.76 | 87.5 |

Notes:
Downloaded from <http://dealerselectric.com>
Generated for Model #00536ET3E184TC-S

Performed by

Checked



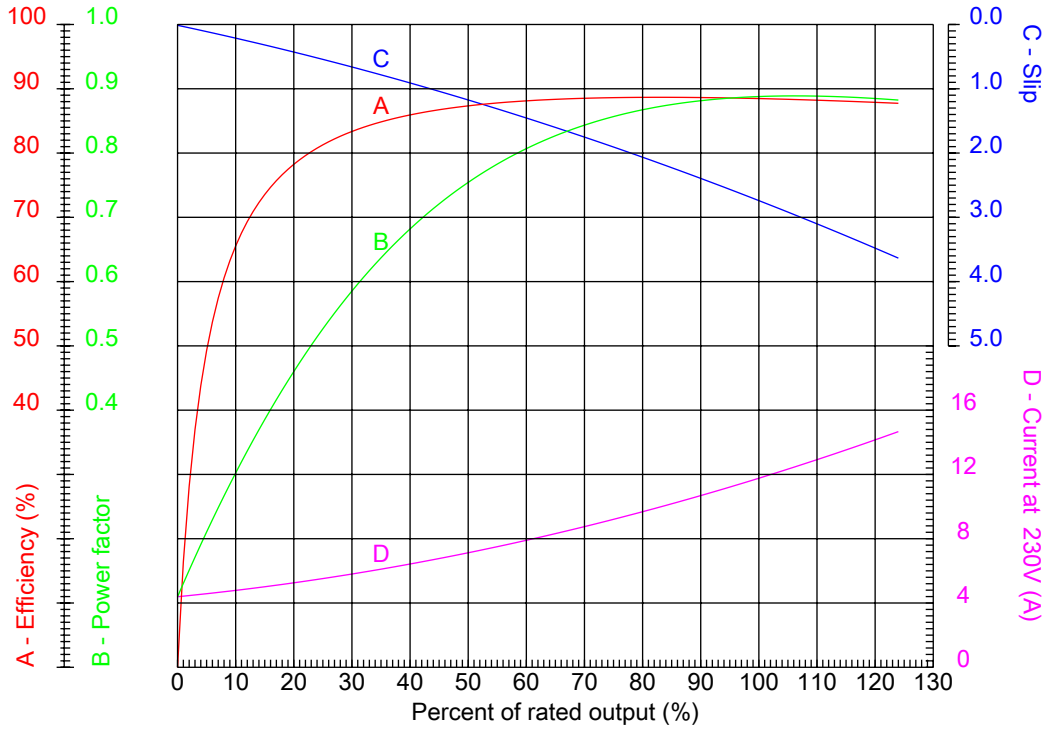
Dealers Industrial Equipment

No.:

Date: 13-SEP-2016

PERFORMANCE CURVES RELATED TO RATED OUTPUT

Three-phase induction motor - Squirrel cage rotor



Customer :
 Product line : Three Phase: W01 (Rolled Steel) - TEFC - NEMA Premium Efficiency

| | | | |
|------------------|--------------------|--|---------|
| Frame | : 182/4T | Locked rotor current (I _l /I _n) | : 7.8 |
| Output | : 5 HP | Duty cycle | : S1 |
| Frequency | : 60 Hz | Service factor | : 1.15 |
| Full load speed | : 3500 rpm | Design | : B |
| Voltage | : 208-230/460 V | Locked rotor torque | : 220 % |
| Rated current | : 13.1-11.8/5.90 A | Breakdown torque | : 300 % |
| Insulation class | : F | | |

Notes:
 Downloaded from <http://dealerselectric.com>
 Generated for Model #00536ET3E184TC-S

Performed by

Checked



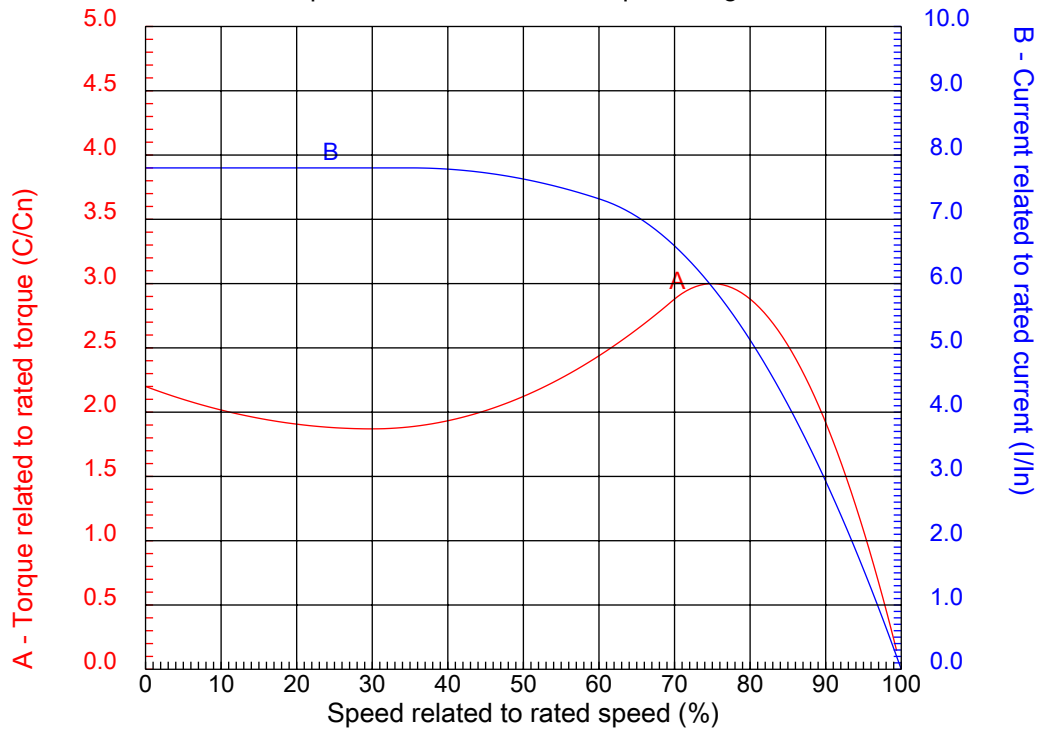
Dealers Industrial Equipment

No.:

Date: 13-SEP-2016

CHARACTERISTIC CURVES RELATED TO SPEED

Three-phase induction motor - Squirrel cage rotor



Customer :
Product line : Three Phase: W01 (Rolled Steel) - TEFC - NEMA Premium Efficiency

| | | | |
|------------------|--------------------|--|---------|
| Frame | : 182/4T | Locked rotor current (I _l /I _n) | : 7.8 |
| Output | : 5 HP | Duty cycle | : S1 |
| Frequency | : 60 Hz | Service factor | : 1.15 |
| Full load speed | : 3500 rpm | Design | : B |
| Voltage | : 208-230/460 V | Locked rotor torque | : 220 % |
| Rated current | : 13.1-11.8/5.90 A | Breakdown torque | : 300 % |
| Insulation class | : F | | |

Notes:
Downloaded from <http://dealerselectric.com>
Generated for Model #00536ET3E184TC-S

Performed by

Checked

1 2 3 4 5 6 7 8

A

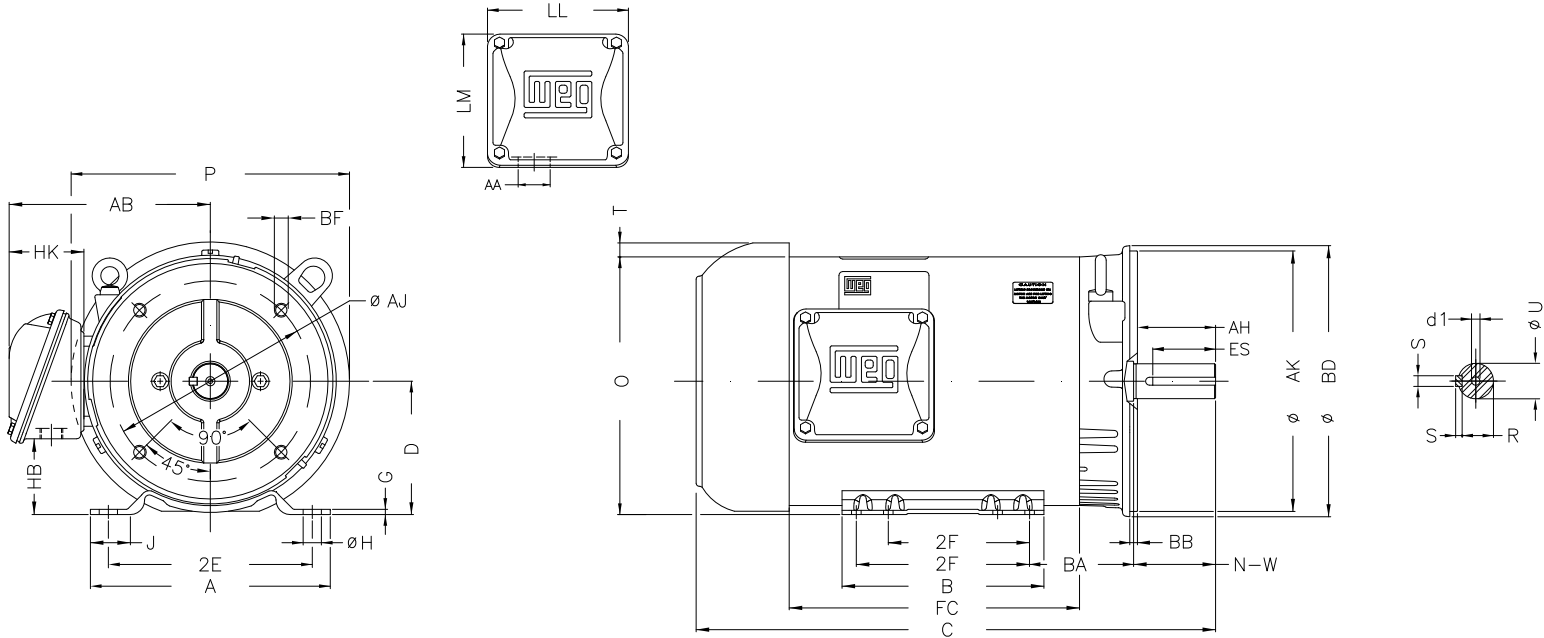
B

C

D

E

F



Notes: Downloaded from <http://dealerselectric.com>
Generated for Model #00536ET3E184TC-S

| | | | | |
|-------|--------|-------------|--------|--------|
| P | AB | J | 2E | A |
| 9.435 | 6.696 | 1.299 | 7.500 | 8.661 |
| H | G | HB | HK | T |
| 0.406 | 0.167 | 2.784 | 2.629 | 0.661 |
| O | FC | 2F | B | C |
| 8.557 | 10.236 | 4.500/5.500 | 6.299 | 17.913 |
| BA | N-W | ES | d1 | S |
| 3.500 | 2.750 | 1.969 | A 3,15 | 0.250 |
| U | AA | depth | R | LL |
| 1.125 | 1.118" | 0.250 | 0.984 | 4.563 |
| LM | D | CH | Flange | AJ |
| 4.090 | 4.500 | 1.377 | FC-184 | 7.250 |
| AK | BD | BF | BB | AH |
| 8.500 | 8.846 | UNC 1/2"x13 | 0.250 | 2.620 |

Performed by:

Checked:

Customer:

Three Phase: W01 (Rolled Steel) - TEFC - NEMA Premium Efficiency

Three-phase induction motor
Frame 182/4T - IP55

13-SEP-2016




1 2 3 4 5 6 7 8

LOW VOLTAGE

HIGH VOLTAGE

A
B
C
D
E
F



| | | |
|---|-------------|---|
| Notes: Downloaded from http://dealerselectric.com Generated for Model #00536ET3E184TC-S | | |
| Performed by: | | |
| Checked: | | |
| Customer: | | |
| Three Phase: W01 (Rolled Steel) - TEFC - NEMA Premium Efficiency | | |
| Three-phase induction motor Frame 182/4T - IP55 | 13-SEP-2016 |  |