



Dealers Industrial Equipment

No.:

Date: 13-SEP-2016

Customer :

TECHNICAL PROPOSAL

Three-phase induction motor - Squirrel cage rotor

Product line : Close Coupled Pump: Three-Phase - W01 (Rolled Steel) "JP" Type - TEFC -
NEMA Premium Efficiency
Catalog Number : 00536ET3E184JP-S
List Price : \$1,094

Notes:
Downloaded from <http://dealerselectric.com>
Generated for Model #00536ET3E184JP-S

Performed by:

Checked:



Dealers Industrial Equipment

No.:

Date: 13-SEP-2016

DATA SHEET Three-phase induction motor - Squirrel cage rotor

Customer :
 Product line : Close Coupled Pump: Three-Phase - W01 (Rolled Steel) "JP" Type - TEFC - NEMA Premium Efficiency

Frame : 182/4JP
 Output : 5 HP
 Frequency : 60 Hz
 Poles : 2
 Full load speed : 3500 rpm
 Slip : 2.78 %
 Voltage : 208-230/460 V
 Rated current : 13.1-11.8/5.90 A
 Locked rotor current : 92.0/46.0 A
 Locked rotor current (I_L/I_n) : 7.8
 No-load current : 4.40/2.20 A
 Full load torque : 7.40 lb.ft
 Locked rotor torque : 220 %
 Breakdown torque : 300 %
 Design : B
 Insulation class : F
 Temperature rise : 80 K
 Locked rotor time : 17 s (hot)
 Service factor : 1.15
 Duty cycle : S1
 Ambient temperature : -20°C - +40°C
 Altitude : 1000 m
 Degree of Protection : IP55
 Approximate weight : 78 lb
 Moment of inertia : 0.20787 sq.ft.lb
 Noise level : 68 dB(A)

| | D.E. | N.D.E. | Load | Power factor | Efficiency (%) |
|---------------------|---------|---------|------|--------------|----------------|
| Bearings | 6207 ZZ | 6205 ZZ | 100% | 0.89 | 88.5 |
| Regreasing interval | --- | --- | 75% | 0.85 | 88.5 |
| Grease amount | --- | --- | 50% | 0.76 | 87.5 |

Notes:
 Downloaded from <http://dealerselectric.com>
 Generated for Model #00536ET3E184JP-S

Performed by

Checked

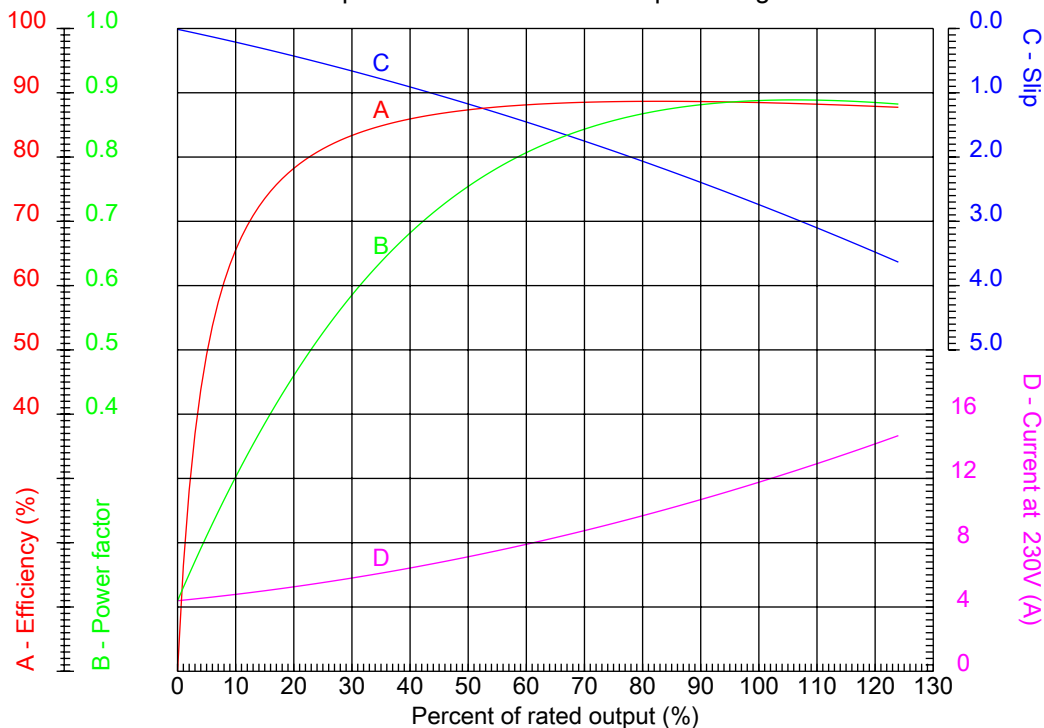


Dealers Industrial Equipment

No.:

Date: 13-SEP-2016

PERFORMANCE CURVES RELATED TO RATED OUTPUT Three-phase induction motor - Squirrel cage rotor



Customer :
 Product line : Close Coupled Pump: Three-Phase - W01 (Rolled Steel) "JP" Type - TEFC - NEMA Premium Efficiency

| | | | |
|------------------|--------------------|--|---------|
| Frame | : 182/4JP | Locked rotor current (I _l /I _n) | : 7.8 |
| Output | : 5 HP | Duty cycle | : S1 |
| Frequency | : 60 Hz | Service factor | : 1.15 |
| Full load speed | : 3500 rpm | Design | : B |
| Voltage | : 208-230/460 V | Locked rotor torque | : 220 % |
| Rated current | : 13.1-11.8/5.90 A | Breakdown torque | : 300 % |
| Insulation class | : F | | |

Notes:
 Downloaded from <http://dealerselectric.com>
 Generated for Model #00536ET3E184JP-S

Performed by

Checked



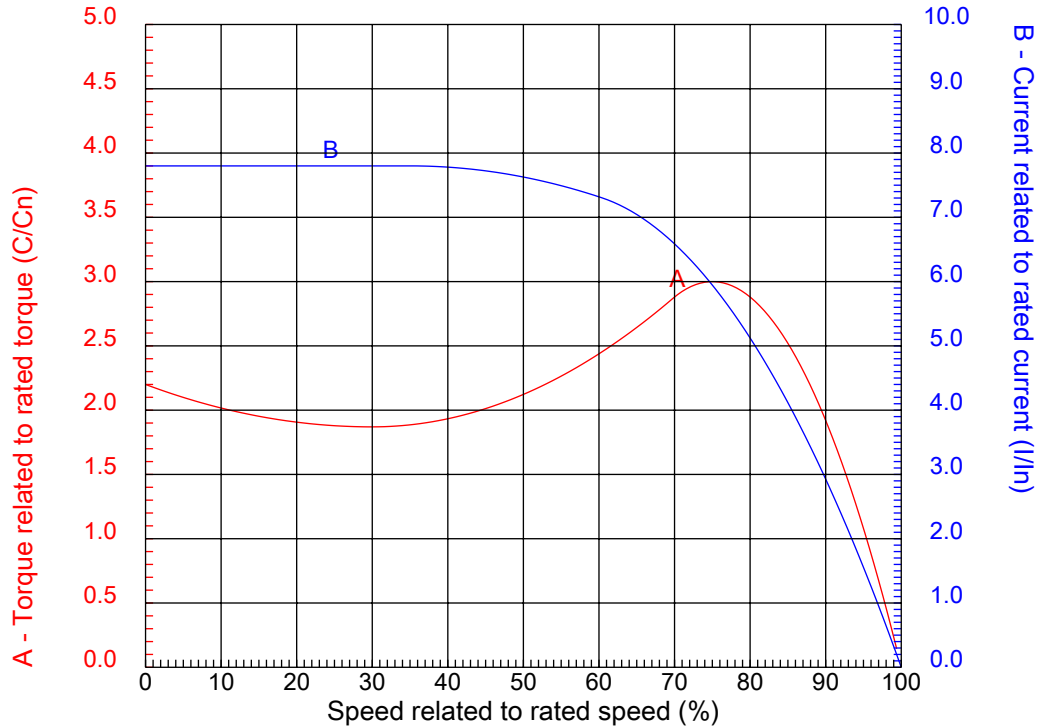
Dealers Industrial Equipment

No.:

Date: 13-SEP-2016

CHARACTERISTIC CURVES RELATED TO SPEED

Three-phase induction motor - Squirrel cage rotor



Customer :
Product line : Close Coupled Pump: Three-Phase - W01 (Rolled Steel) "JP" Type - TEFC - NEMA Premium Efficiency

| | | | |
|------------------|--------------------|--|---------|
| Frame | : 182/4JP | Locked rotor current (I _l /I _n) | : 7.8 |
| Output | : 5 HP | Duty cycle | : S1 |
| Frequency | : 60 Hz | Service factor | : 1.15 |
| Full load speed | : 3500 rpm | Design | : B |
| Voltage | : 208-230/460 V | Locked rotor torque | : 220 % |
| Rated current | : 13.1-11.8/5.90 A | Breakdown torque | : 300 % |
| Insulation class | : F | | |

Notes:
Downloaded from <http://dealerselectric.com>
Generated for Model #00536ET3E184JP-S

Performed by

Checked

1 2 3 4 5 6 7 8

A

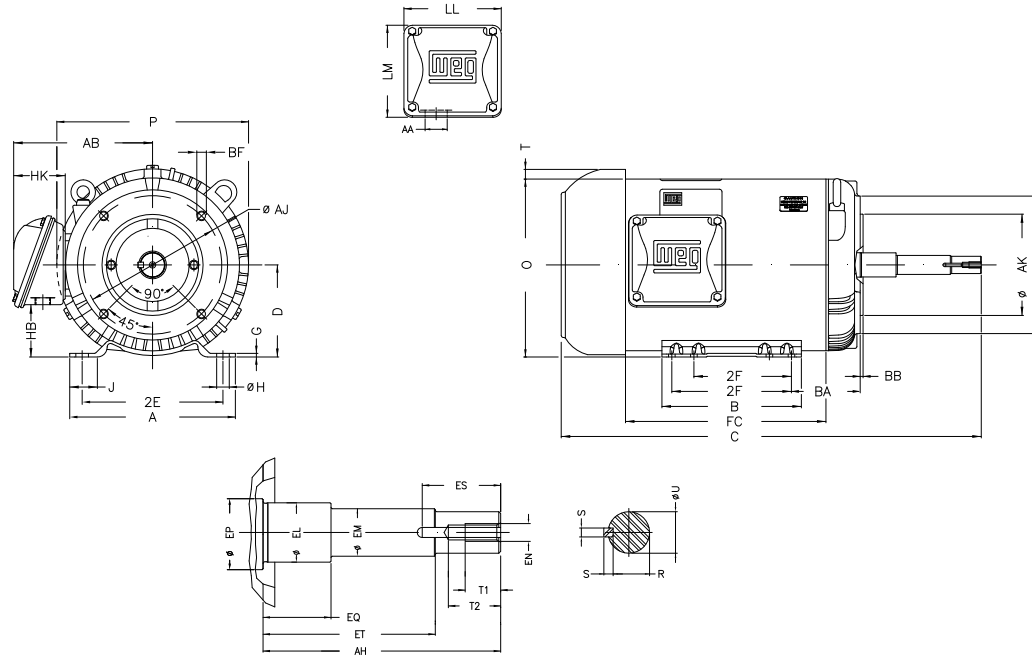
B

C

D

E

F



Notes: Downloaded from <http://dealerselectric.com>
Generated for Model #00536ET3E184JP-S

| | | | | |
|-------------------|-------------------|------------------|--------------|-------------|
| 2E 7.500 | J 1.299 | A 8.661 | P 9.435 | AB 6.696 |
| 2F 4.500/5.500 | B 6.299 | BA 3.500 | D 4.500 | G 0.167 |
| O 8.557 | T 0.661 | H 0.406 | AA 1.118" | ER 7.319 |
| EQ 1.563 | ET 5.941 | U 0.8745 | EM 1.000 | EL 1.250 |
| EP 1.376 | ES 1.654 | t1 0.748 | t2 1.102 | C 22.480 |
| CH 1.377 | FC 10.236 | Flange FC-149 | AJ 5.874 | AK 4.500 |
| BD 6.496 | BF UNC 3/8"x16 | BB 0.138 | AH 7.319 | |

Performed by:


Checked:

Customer:

Close Coupled Pump: Three-Phase - W01 (Rolled Steel) "JP" Type - TEFC -

Three-phase induction motor
Frame 182/4JP - IP55

13-SEP-2016



1 2 3 4 5 6 7 8

LOW VOLTAGE

HIGH VOLTAGE

A
B
C
D
E
F



| | | |
|---|-------------|--|
| Notes: Downloaded from http://dealerselectric.com Generated for Model #00536ET3E184JP-S | | |
| Performed by: | | |
| Checked: | | |
| Customer: | | |
| Close Coupled Pump: Three-Phase - W01 (Rolled Steel) "JP" Type - TEFC - | | |
| Three-phase induction motor Frame 182/4JP - IP55 | 13-SEP-2016 | |