



# Dealers Industrial Equipment

No.:

Date: 13-SEP-2016

Customer :

## TECHNICAL PROPOSAL

### Single-phase induction motor - Squirrel cage rotor

Product line : Single-Phase : W21 TEFC (IP55)

Catalog Number : 00536ES1E184T

List Price : \$1,038

#### Notes:

Downloaded from <http://dealerselectric.com>

Generated for Model #00536ES1E184T

Performed by:

Checked:



# Dealers Industrial Equipment

No.:

Date: 13-SEP-2016

## DATA SHEET Single-phase induction motor - Squirrel cage rotor

Customer :  
Product line : Single-Phase : W21 TEFC (IP55)

Frame : 184T  
Output : 5 HP  
Frequency : 60 Hz  
Poles : 2  
Full load speed : 3500 rpm  
Slip : 2.78 %  
Voltage : 208-230/460 V  
Rated current : 22.5-21.0/10.5 A  
Locked rotor current : 164/81.9 A  
Locked rotor current (I<sub>L</sub>/I<sub>n</sub>) : 7.8  
No-load current : 8.00/4.00 A  
Full load torque : 7.40 lb.ft  
Locked rotor torque : 280 %  
Breakdown torque : 260 %  
Design : ---  
Insulation class : F  
Temperature rise : 80 K  
Locked rotor time : 6 s (hot)  
Service factor : 1.15  
Duty cycle : S1  
Ambient temperature : -20°C - +40°C  
Altitude : 1000 m  
Degree of Protection : IP55  
Approximate weight : 103 lb  
Moment of inertia : 0.19055 sq.ft.lb  
Noise level : ---

	D.E.	N.D.E.	Load	Power factor	Efficiency (%)
Bearings	6307 ZZ	6206 ZZ	100%	0.92	83.0
Regreasing interval	---	---	75%	0.89	82.5
Grease amount	---	---	50%	0.81	80.0

Notes:  
Downloaded from <http://dealerselectric.com>  
Generated for Model #00536ES1E184T

Performed by

Checked



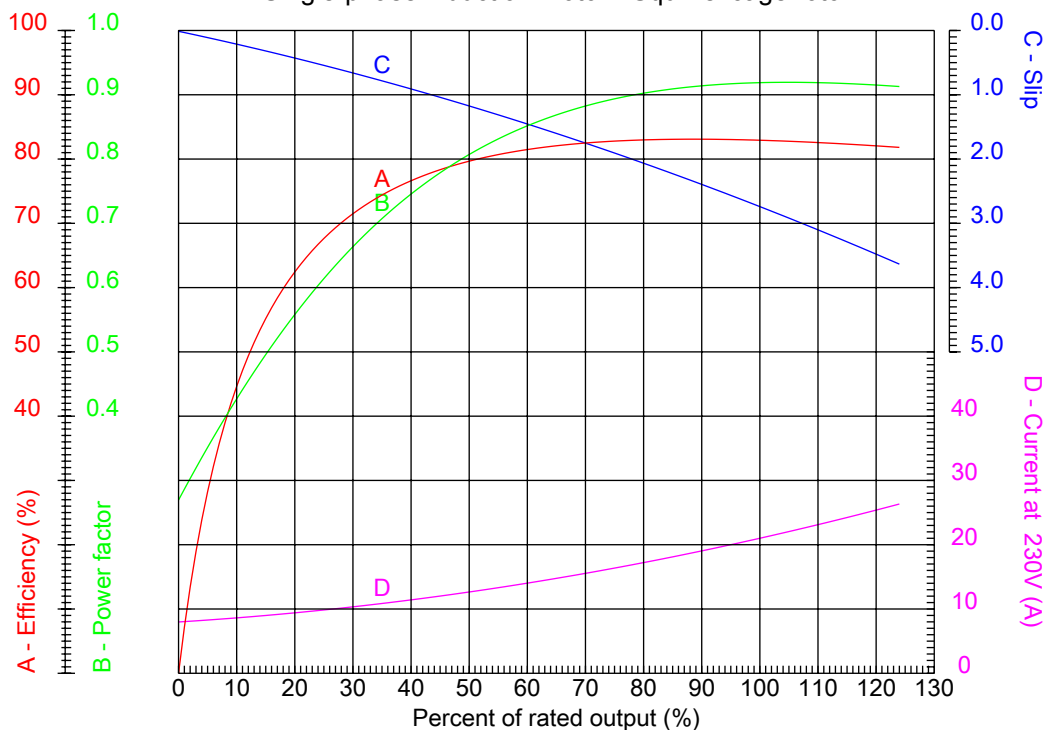
# Dealers Industrial Equipment

No.:

Date: 13-SEP-2016

## PERFORMANCE CURVES RELATED TO RATED OUTPUT

Single-phase induction motor - Squirrel cage rotor



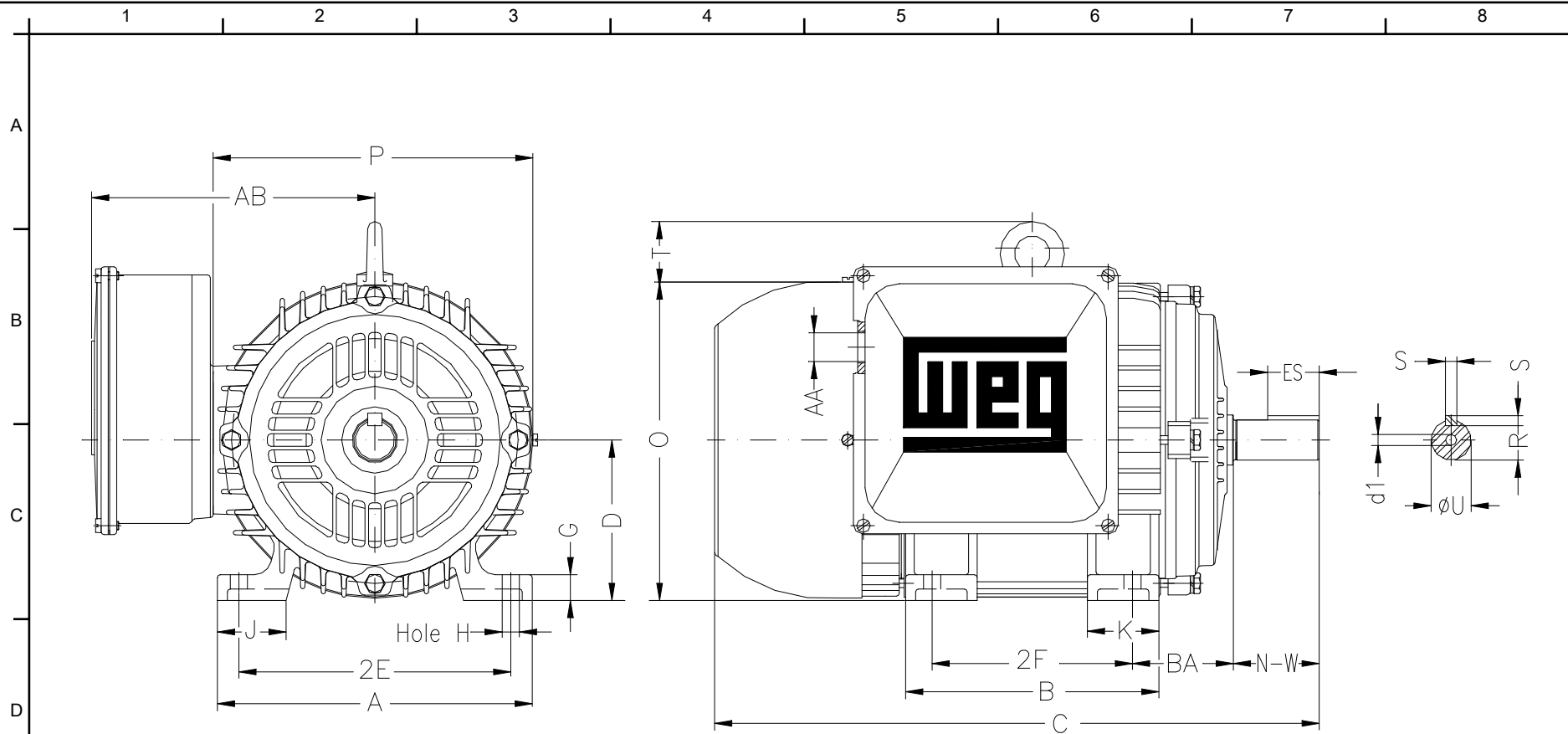
Customer :  
 Product line : Single-Phase : W21 TEFC (IP55)

Frame	: 184T	Locked rotor current (I <sub>l</sub> /I <sub>n</sub> )	: 7.8
Output	: 5 HP	Duty cycle	: S1
Frequency	: 60 Hz	Service factor	: 1.15
Full load speed	: 3500 rpm	Design	: ---
Voltage	: 208-230/460 V	Locked rotor torque	: 280 %
Rated current	: 22.5-21.0/10.5 A	Breakdown torque	: 260 %
Insulation class	: F		

Notes:  
 Downloaded from <http://dealerselectric.com>  
 Generated for Model #00536ES1E184T

Performed by

Checked



Notes: Downloaded from <http://dealerselectric.com>  
 Generated for Model #00536ES1E184T

Performed by:

Checked:

Customer:

Single-Phase : W21 TEFC (IP55)

Single-phase induction motor  
 Frame 184T - IP55

13-SEP-2016



	2E 7.500	2F 5.500	H 0.406	BA 2.750	A 8.661
	B 6.969	C 17.050	D 4.500	G 0.799	J 1.890
F	K 1.969	O 9.343	P 8.740	ES 1.969	S 0.250
	N-W 2.750	U 1.125	R 0.984	AB 7.835	AA NPT 1"
	d1 A4				