



Dealers Industrial Equipment

No.:

Date: 13-SEP-2016

Customer :

TECHNICAL PROPOSAL

Single-phase induction motor - Squirrel cage rotor

Product line : Close Coupled Pump : Single-Phase - "JP" Type - TEFC - Standard Efficiency

Catalog Number : 00536ES1E184JP

List Price : \$1,457

Notes:

Downloaded from <http://dealerselectric.com>

Generated for Model #00536ES1E184JP

Performed by:

Checked:



Dealers Industrial Equipment

No.:

Date: 13-SEP-2016

DATA SHEET Single-phase induction motor - Squirrel cage rotor

Customer :
 Product line : Close Coupled Pump : Single-Phase - "JP" Type - TEFC - Standard Efficiency

Frame : 184JP
 Output : 5 HP
 Frequency : 60 Hz
 Poles : 2
 Full load speed : 3500 rpm
 Slip : 2.78 %
 Voltage : 208-230/460 V
 Rated current : 22.5-21.0/10.5 A
 Locked rotor current : 164/81.9 A
 Locked rotor current (I_L/I_n) : 7.8
 No-load current : 8.00/4.00 A
 Full load torque : 7.40 lb.ft
 Locked rotor torque : 280 %
 Breakdown torque : 260 %
 Design : ---
 Insulation class : F
 Temperature rise : 80 K
 Locked rotor time : 6 s (hot)
 Service factor : 1.15
 Duty cycle : S1
 Ambient temperature : -20°C - +40°C
 Altitude : 1000 m
 Degree of Protection : IP55
 Approximate weight : 104 lb
 Moment of inertia : 0.19055 sq.ft.lb
 Noise level : ---

	D.E.	N.D.E.
Bearings	6307 ZZ	6206 ZZ
Regreasing interval	---	---
Grease amount	---	---

Load	Power factor	Efficiency (%)
100%	0.92	83.0
75%	0.89	82.5
50%	0.81	80.0

Notes:
 Downloaded from <http://dealerselectric.com>
 Generated for Model #00536ES1E184JP

Performed by

Checked



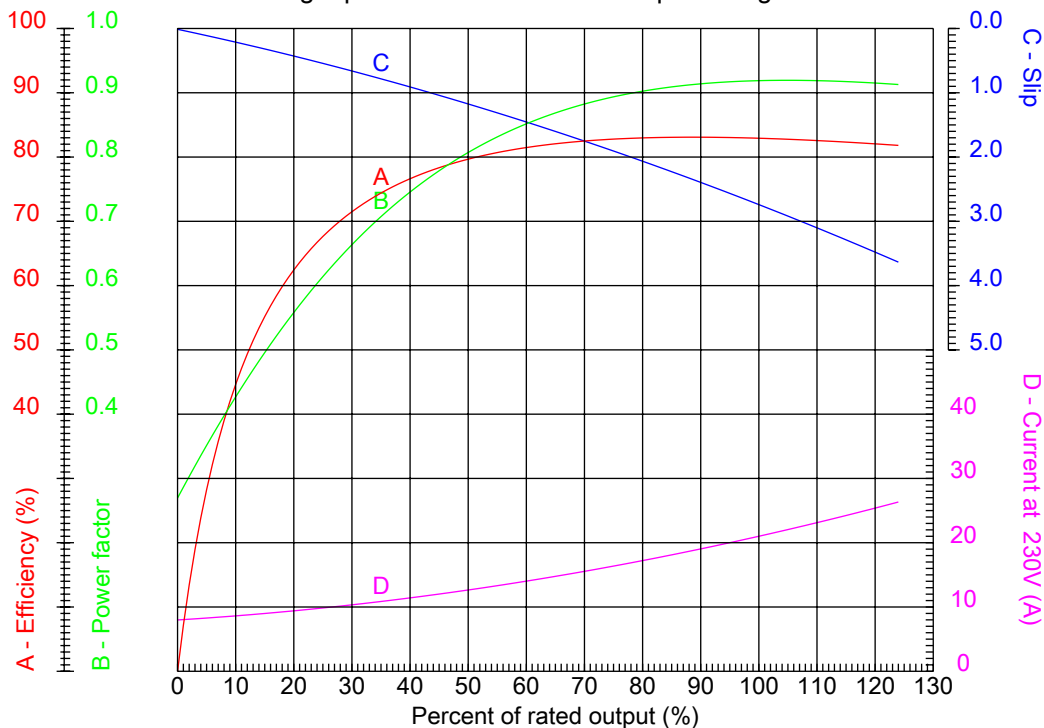
Dealers Industrial Equipment

No.:

Date: 13-SEP-2016

PERFORMANCE CURVES RELATED TO RATED OUTPUT

Single-phase induction motor - Squirrel cage rotor



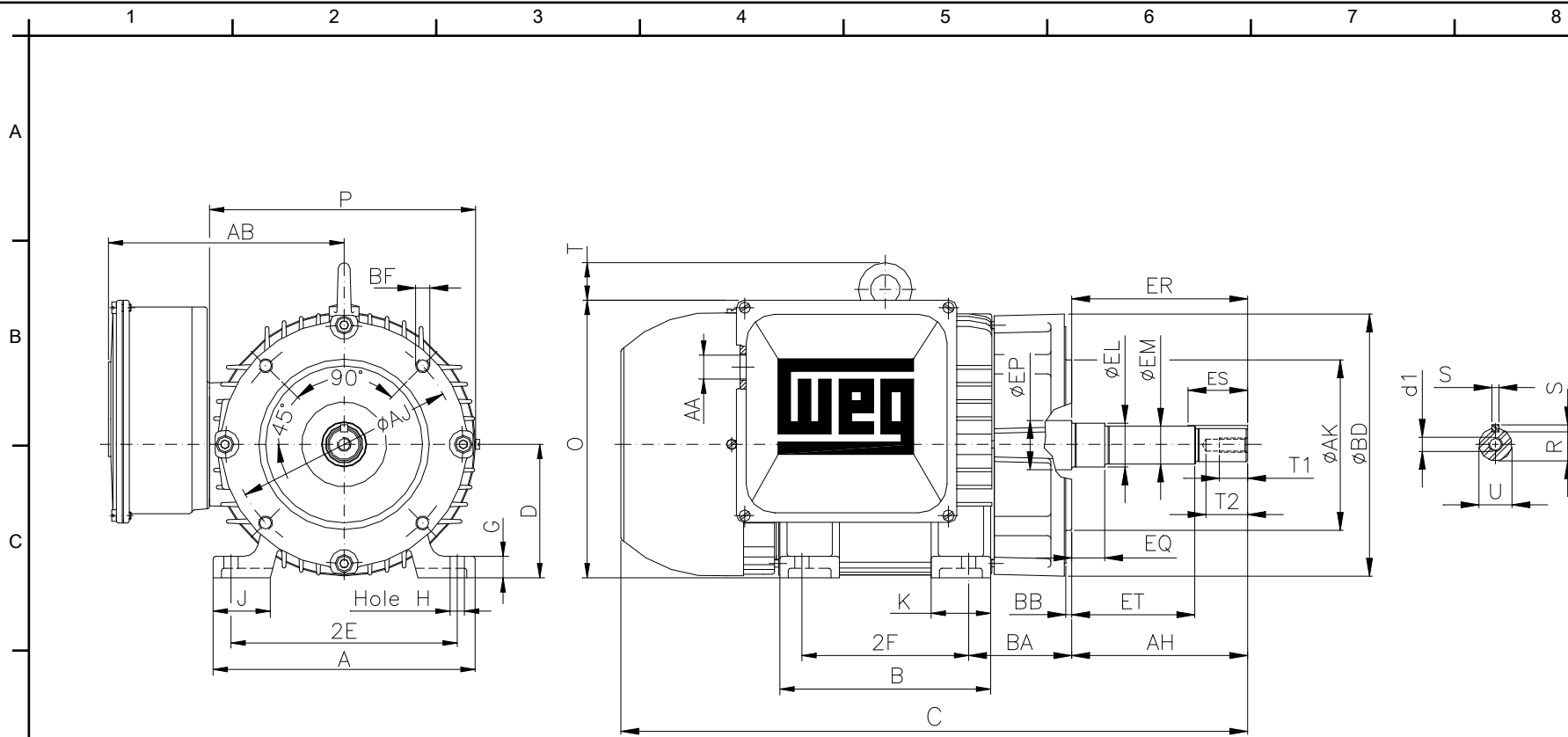
Customer :
Product line : Close Coupled Pump : Single-Phase - "JP" Type - TEFC - Standard Efficiency

Frame	: 184JP	Locked rotor current (I _l /I _n)	: 7.8
Output	: 5 HP	Duty cycle	: S1
Frequency	: 60 Hz	Service factor	: 1.15
Full load speed	: 3500 rpm	Design	: ---
Voltage	: 208-230/460 V	Locked rotor torque	: 280 %
Rated current	: 22.5-21.0/10.5 A	Breakdown torque	: 260 %
Insulation class	: F		

Notes:
Downloaded from <http://dealerselectric.com>
Generated for Model #00536ES1E184JP

Performed by

Checked



Notes: Downloaded from <http://dealerselectric.com>
Generated for Model #00536ES1E184JP

2E 7.500	2F 5.500	H 0.406	BA 2.756	A 8.661
B 6.969	D 4.500	G 0.799	J 1.890	K 1.969
O 9.343	P 8.740	AB 7.835	AA NPT 1"	ER 7.319
EQ 1.563	ET 5.941	U 0.874	EM 1.000	EL 1.250
EP 1.376	S 0.187	R 0.768	ES 1.654	d1 EUNC 3/8"-16
t1 0.748	t2 1.102	C 20.429	Flange FC-149	AJ 5.874
AK 4.500	BD 6.496	BF UNC 3/8"x16	BB 0.157	AH 7.319

Performed by:

Checked:

Customer:

Close Coupled Pump : Single-Phase - "JP" Type - TEFC - Standard Efficiency

Single-phase induction motor
Frame 184JP - IP55

13-SEP-2016

