



# Dealers Industrial Equipment

No.:

Date: 13-SEP-2016

Customer :

## TECHNICAL PROPOSAL

### Three-phase induction motor - Squirrel cage rotor

Product line : W22 Super Premium

Catalog Number : 00536EG3E184T-W22

List Price : \$960

#### Notes:

Downloaded from <http://dealerselectric.com>

Generated for Model #00536EG3E184T-W22

Performed by:

Checked:



Dealers Industrial Equipment

No.:

Date: 13-SEP-2016

### DATA SHEET Three-phase induction motor - Squirrel cage rotor

Customer :  
Product line : W22 Super Premium

Frame : 182/4T  
Output : 5 HP  
Frequency : 60 Hz  
Poles : 2  
Full load speed : 3505 rpm  
Slip : 2.64 %  
Voltage : 208-230/460 V  
Rated current : 13.2-12.0/5.99 A  
Locked rotor current : 98.2/49.1 A  
Locked rotor current (I<sub>L</sub>/I<sub>n</sub>) : 8.2  
No-load current : 4.80/2.40 A  
Full load torque : 7.39 lb.ft  
Locked rotor torque : 240 %  
Breakdown torque : 350 %  
Design : A  
Insulation class : F  
Temperature rise : 80 K  
Locked rotor time : 30 s (hot)  
Service factor : 1.25  
Duty cycle : S1  
Ambient temperature : -20°C - +40°C  
Altitude : 1000 m  
Degree of Protection : IP55  
Approximate weight : 95 lb  
Moment of inertia : 0.22330 sq.ft.lb  
Noise level : 69 dB(A)

	D.E.	N.D.E.
Bearings	6207 ZZ	6206 ZZ
Regreasing interval	---	---
Grease amount	---	---

Load	Power factor	Efficiency (%)
100%	0.86	90.2
75%	0.83	88.5
50%	0.73	87.5

Notes:  
Downloaded from <http://dealerselectric.com>  
Generated for Model #00536EG3E184T-W22

Performed by

Checked



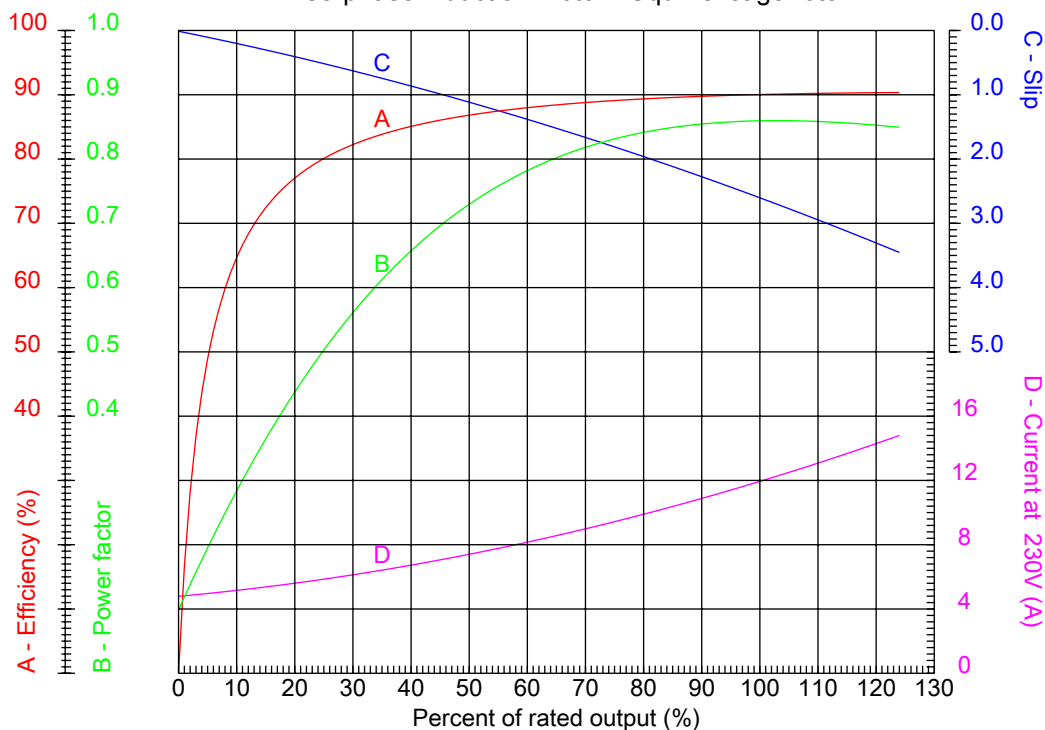
# Dealers Industrial Equipment

No.:

Date: 13-SEP-2016

## PERFORMANCE CURVES RELATED TO RATED OUTPUT

Three-phase induction motor - Squirrel cage rotor



Customer :  
Product line : W22 Super Premium

Frame	: 182/4T	Locked rotor current (I <sub>l</sub> /I <sub>n</sub> )	: 8.2
Output	: 5 HP	Duty cycle	: S1
Frequency	: 60 Hz	Service factor	: 1.25
Full load speed	: 3505 rpm	Design	: A
Voltage	: 208-230/460 V	Locked rotor torque	: 240 %
Rated current	: 13.2-12.0/5.99 A	Breakdown torque	: 350 %
Insulation class	: F		

Notes:  
Downloaded from <http://dealerselectric.com>  
Generated for Model #00536EG3E184T-W22

Performed by

Checked



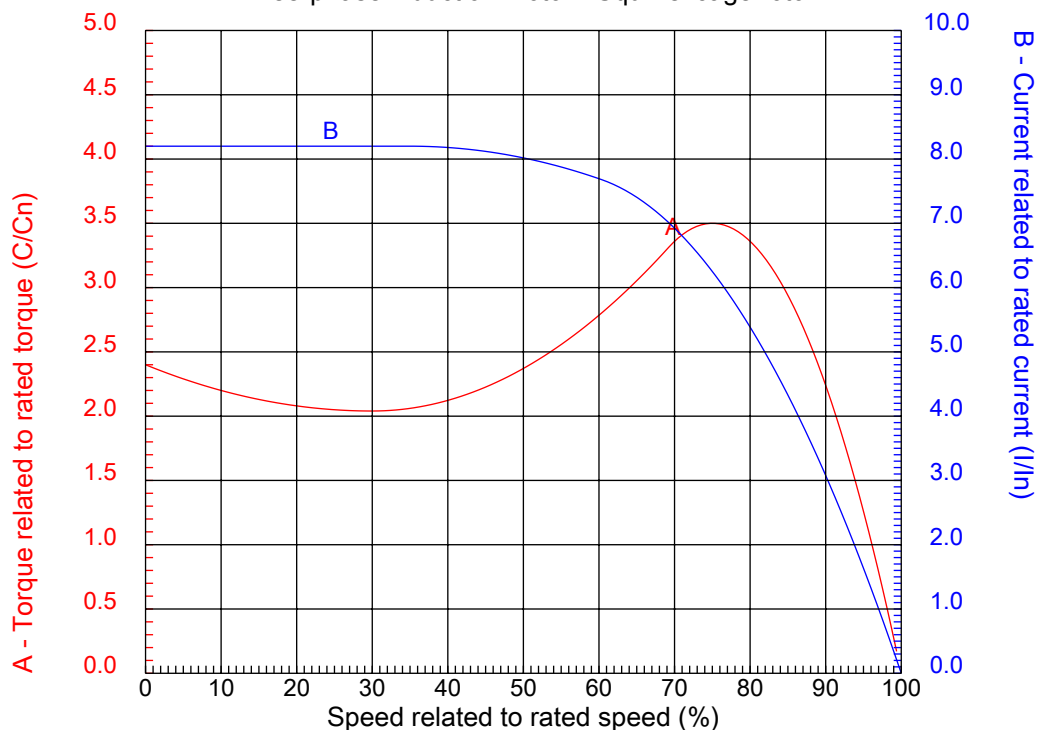
# Dealers Industrial Equipment

No.:

Date: 13-SEP-2016

## CHARACTERISTIC CURVES RELATED TO SPEED

Three-phase induction motor - Squirrel cage rotor



Customer :  
Product line : W22 Super Premium

Frame	: 182/4T	Locked rotor current (I <sub>l</sub> /I <sub>n</sub> )	: 8.2
Output	: 5 HP	Duty cycle	: S1
Frequency	: 60 Hz	Service factor	: 1.25
Full load speed	: 3505 rpm	Design	: A
Voltage	: 208-230/460 V	Locked rotor torque	: 240 %
Rated current	: 13.2-12.0/5.99 A	Breakdown torque	: 350 %
Insulation class	: F		

Notes:  
Downloaded from <http://dealerselectric.com>  
Generated for Model #00536EG3E184T-W22

Performed by

Checked

1 2 3 4 5 6 7 8

A

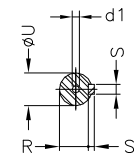
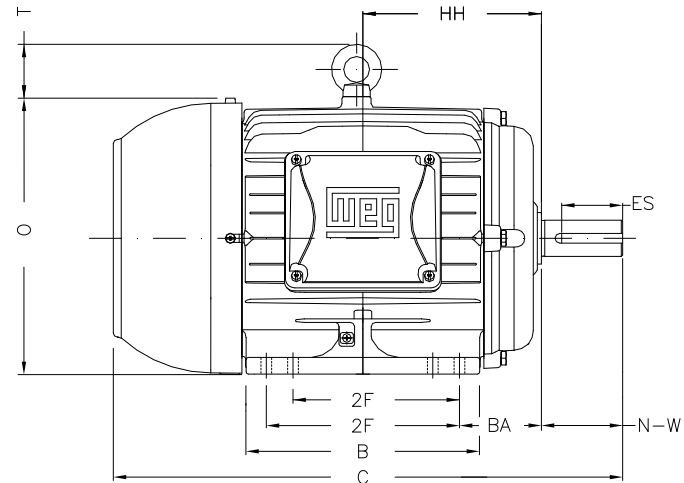
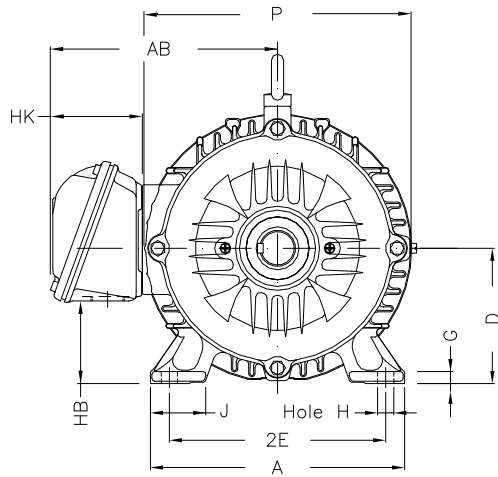
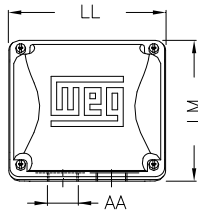
B

C

D

E

F



Notes: Downloaded from <http://dealerselectric.com>  
Generated for Model #00536EG3E184T-W22

Performed by:

Checked:

Customer:

W22 Super Premium

Three-phase induction motor  
Frame 182/4T - IP55

13-SEP-2016



2E 7.500	J 1.614	A 8.661	P 8.937	AB 7.565
2F 4.500/5.500	B 6.969	BA 2.750	FBA 5.057	U 1.125
N-W 2.750	ES 1.969	S 0.250	R 0.984	depth 0.250
D 4.500	G 0.394	HB 2.236	O 9.343	T 1.772
HF 4.500	HH 5.500	HK 3.150	H 0.410	C 15.860
FC 18.307	LL 5.512	LM 5.236	AA NPT 1"	d1 A 4

1 2 3 4 5 6 7 8

# LOW VOLTAGE

# HIGH VOLTAGE

A  
B  
C  
D  
E  
F



Notes: Downloaded from <http://dealerselectric.com>  
Generated for Model #00536EG3E184T-W22

Performed by:

Checked:

Customer:

W22 Super Premium

Three-phase induction motor  
Frame 182/4T - IP55

13-SEP-2016

