



Dealers Industrial Equipment

No.:

Date: 13-SEP-2016

Customer :

TECHNICAL PROPOSAL

Three-phase induction motor - Squirrel cage rotor

Product line : Three-Phase : Explosion Proof - High Efficiency

Catalog Number : 00518XP3ER184TC

List Price : \$1,056

Notes:

Downloaded from <http://dealerselectric.com>

Generated for Model #00518XP3ER184TC

Performed by:

Checked:



Dealers Industrial Equipment

No.:

Date: 13-SEP-2016

DATA SHEET Three-phase induction motor - Squirrel cage rotor

Customer :
Product line : Three-Phase : Explosion Proof - High Efficiency

Frame : 184T
Output : 5 HP
Frequency : 60 Hz
Poles : 4
Full load speed : 1750 rpm
Slip : 2.78 %
Voltage : 208-230/460 V
Rated current : 14.5-13.1/6.55 A
Locked rotor current : 91.7/45.8 A
Locked rotor current (I_L/I_n) : 7.0
No-load current : 6.20/3.10 A
Full load torque : 14.8 lb.ft
Locked rotor torque : 210 %
Breakdown torque : 300 %
Design : B
Insulation class : F
Temperature rise : 80 K
Locked rotor time : 21 s (hot)
Service factor : 1.15
Duty cycle : S1
Ambient temperature : -20°C - +40°C
Altitude : 1000 m
Degree of Protection : IP54
Approximate weight : 129 lb
Moment of inertia : 0.38134 sq.ft.lb
Noise level : 56 dB(A)

	D.E.	N.D.E.
Bearings	6307 2RS	6206 2RS
Regreasing interval	---	---
Grease amount	---	---

Load	Power factor	Efficiency (%)
100%	0.81	87.5
75%	0.75	87.5
50%	0.63	85.5

Notes:
Downloaded from <http://dealerselectric.com>
Generated for Model #00518XP3ER184TC

Performed by

Checked



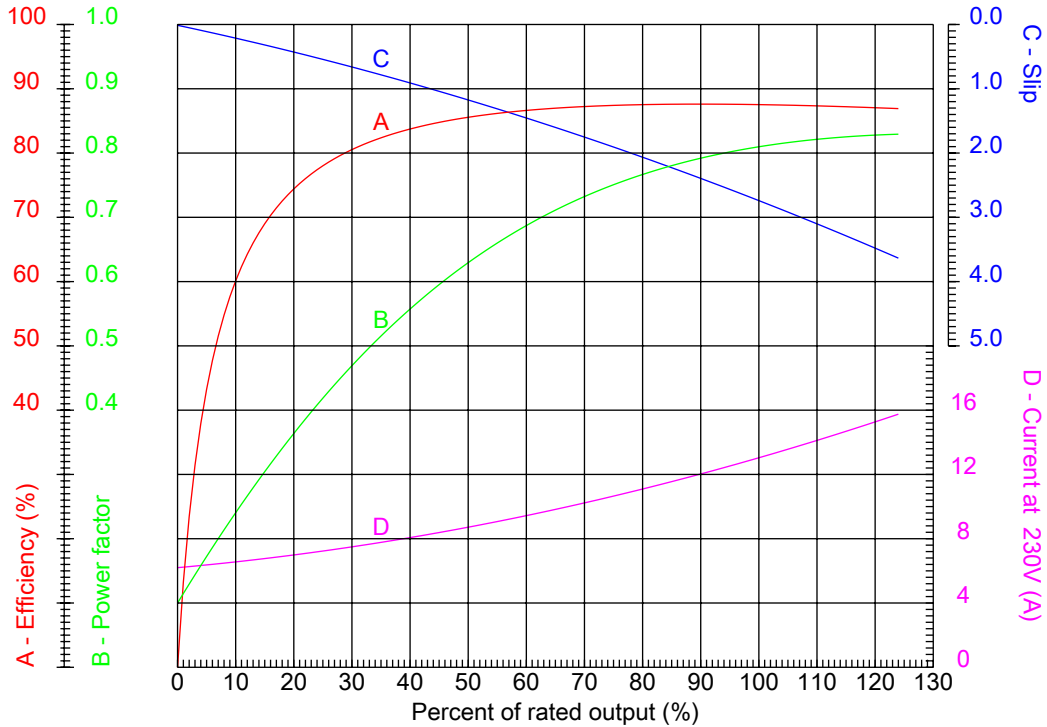
Dealers Industrial Equipment

No.:

Date: 13-SEP-2016

PERFORMANCE CURVES RELATED TO RATED OUTPUT

Three-phase induction motor - Squirrel cage rotor



Customer :
 Product line : Three-Phase : Explosion Proof - High Efficiency

Frame : 184T	Locked rotor current (I _l /I _n) : 7.0
Output : 5 HP	Duty cycle : S1
Frequency : 60 Hz	Service factor : 1.15
Full load speed : 1750 rpm	Design : B
Voltage : 208-230/460 V	Locked rotor torque : 210 %
Rated current : 14.5-13.1/6.55 A	Breakdown torque : 300 %
Insulation class : F	

Notes:
 Downloaded from <http://dealerselectric.com>
 Generated for Model #00518XP3ER184TC

Performed by

Checked



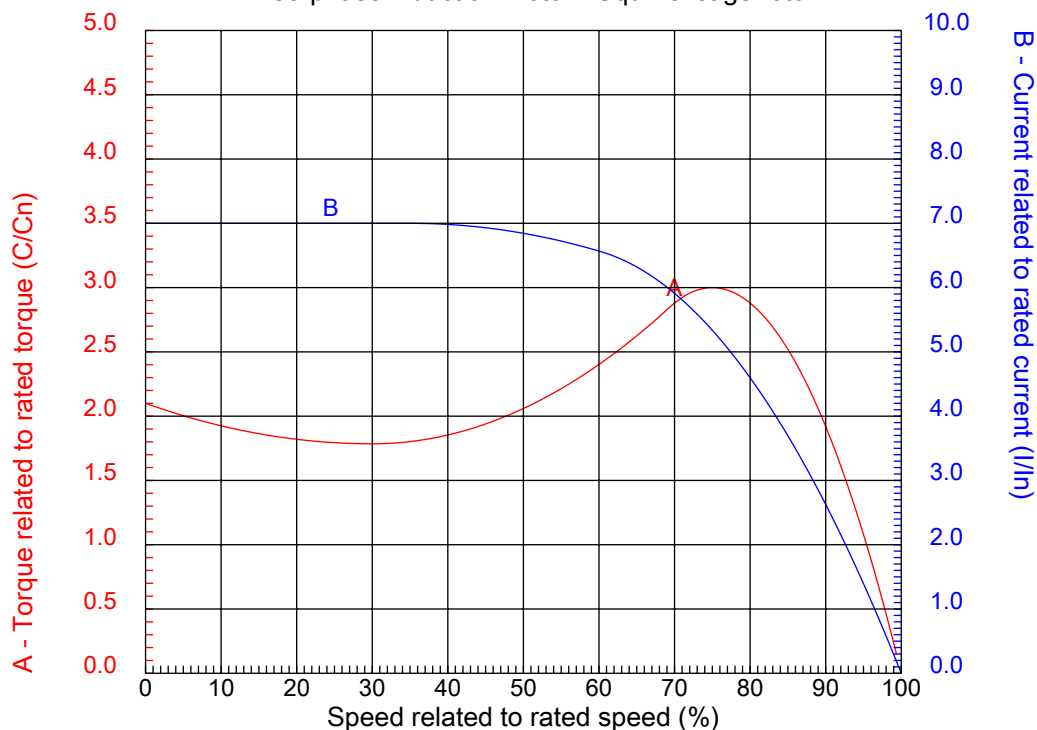
Dealers Industrial Equipment

No.:

Date: 13-SEP-2016

CHARACTERISTIC CURVES RELATED TO SPEED

Three-phase induction motor - Squirrel cage rotor



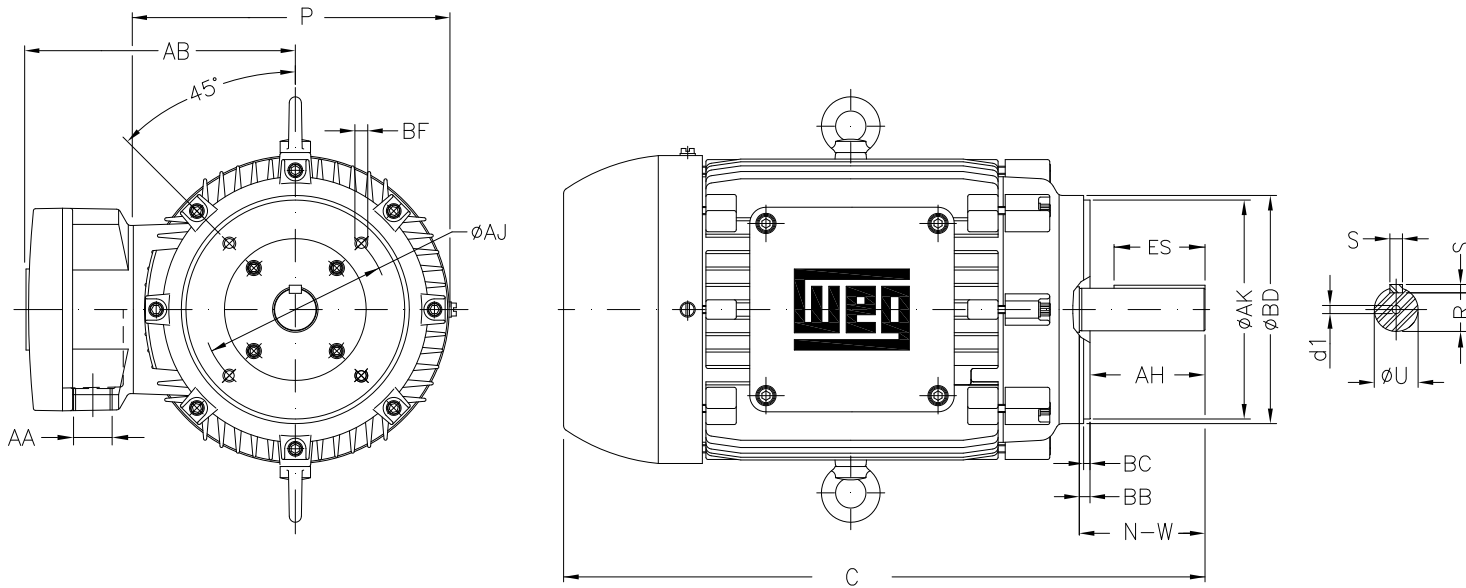
Customer :
Product line : Three-Phase : Explosion Proof - High Efficiency

Frame	: 184T	Locked rotor current (I _l /I _n)	: 7.0
Output	: 5 HP	Duty cycle	: S1
Frequency	: 60 Hz	Service factor	: 1.15
Full load speed	: 1750 rpm	Design	: B
Voltage	: 208-230/460 V	Locked rotor torque	: 210 %
Rated current	: 14.5-13.1/6.55 A	Breakdown torque	: 300 %
Insulation class	: F		

Notes:
Downloaded from <http://dealerselectric.com>
Generated for Model #00518XP3ER184TC

Performed by

Checked



Notes: Downloaded from <http://dealerselectric.com>
 Generated for Model #00518XP3ER184TC

Performed by:

Checked:

Customer:

Three-Phase : Explosion Proof - High Efficiency

P	ES	S	depth	N-W
8.909	1.969	0.250	0.250	2.750
U	R	AB	C	AA
1.125	0.984	8.240	15.862	NPT 3/4"
d1	d2	Flange	AJ	AK
A 4	A 4	FC-184	7.250	8.500
BD	BF	BB	BC	AH
8.875	UNC 1/2"x13	0.250	0.125	2.625

Three-phase induction motor
 Frame 184T - IP54

13-SEP-2016



1 2 3 4 5 6 7 8

LOW VOLTAGE

HIGH VOLTAGE

A
B
C
D
E
F



Notes: Downloaded from http://dealerselectric.com Generated for Model #00518XP3ER184TC		
Performed by:		
Checked:		
Customer:		
Three-Phase : Explosion Proof - High Efficiency		
Three-phase induction motor Frame 184T - IP54	13-SEP-2016	