



# Dealers Industrial Equipment

No.:

Date: 13-SEP-2016

Customer :

## TECHNICAL PROPOSAL

### Three-phase induction motor - Squirrel cage rotor

Product line : ODP – Open Induction Motors – NEMA Premium Efficiency

Catalog Number : 00518OT3P184T

List Price : \$629

#### Notes:

Downloaded from <http://dealerselectric.com>

Generated for Model #00518OT3P184T

Performed by:

Checked:



# Dealers Industrial Equipment

No.:

Date: 13-SEP-2016

## DATA SHEET Three-phase induction motor - Squirrel cage rotor

Customer :  
 Product line : ODP – Open Induction Motors – NEMA Premium Efficiency

Frame : 184T  
 Output : 5 HP  
 Frequency : 60 Hz  
 Poles : 4  
 Full load speed : 1755 rpm  
 Slip : 2.50 %  
 Voltage : 200 V  
 Rated current : 14.7 A  
 Locked rotor current : 108 A  
 Locked rotor current (I<sub>L</sub>/I<sub>n</sub>) : 7.3  
 No-load current : 6.90 A  
 Full load torque : 14.8 lb.ft  
 Locked rotor torque : 210 %  
 Breakdown torque : 290 %  
 Design : B  
 Insulation class : F  
 Temperature rise : 80 K  
 Locked rotor time : 12 s (hot)  
 Service factor : 1.15  
 Duty cycle : S1  
 Ambient temperature : -20°C - +40°C  
 Altitude : 1000 m  
 Degree of Protection : IP21  
 Approximate weight : 62 lb  
 Moment of inertia : 0.34954 sq.ft.lb  
 Noise level : ---

|                     | D.E.    | N.D.E.  |
|---------------------|---------|---------|
| Bearings            | 6206 ZZ | 6205 ZZ |
| Regreasing interval | ---     | ---     |
| Grease amount       | ---     | ---     |

| Load | Power factor | Efficiency (%) |
|------|--------------|----------------|
| 100% | 0.81         | 89.5           |
| 75%  | 0.75         | 89.5           |
| 50%  | 0.63         | 88.5           |

Notes:  
 Downloaded from <http://dealerselectric.com>  
 Generated for Model #00518OT3P184T

Performed by

Checked



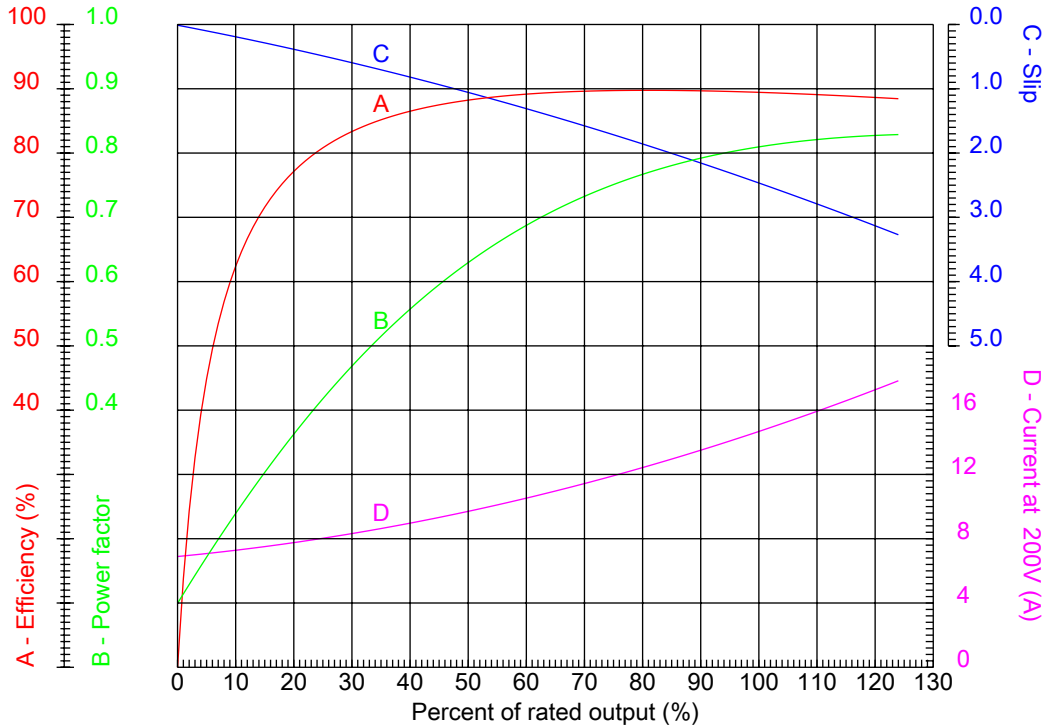
# Dealers Industrial Equipment

No.:

Date: 13-SEP-2016

## PERFORMANCE CURVES RELATED TO RATED OUTPUT

Three-phase induction motor - Squirrel cage rotor



Customer :  
 Product line : ODP – Open Induction Motors – NEMA Premium Efficiency

|                            |  |
|----------------------------|--|
| Frame : 184T               | Locked rotor current (I <sub>L</sub> /I <sub>n</sub> ) : 7.3 |
| Output : 5 HP              | Duty cycle : S1  |
| Frequency : 60 Hz          | Service factor : 1.15  |
| Full load speed : 1755 rpm | Design : B   |
| Voltage : 200 V            | Locked rotor torque : 210 %                                  |
| Rated current : 14.7 A     | Breakdown torque : 290 %                                     |
| Insulation class : F       |  |

Notes:  
 Downloaded from <http://dealerselectric.com>  
 Generated for Model #00518OT3P184T

Performed by

Checked



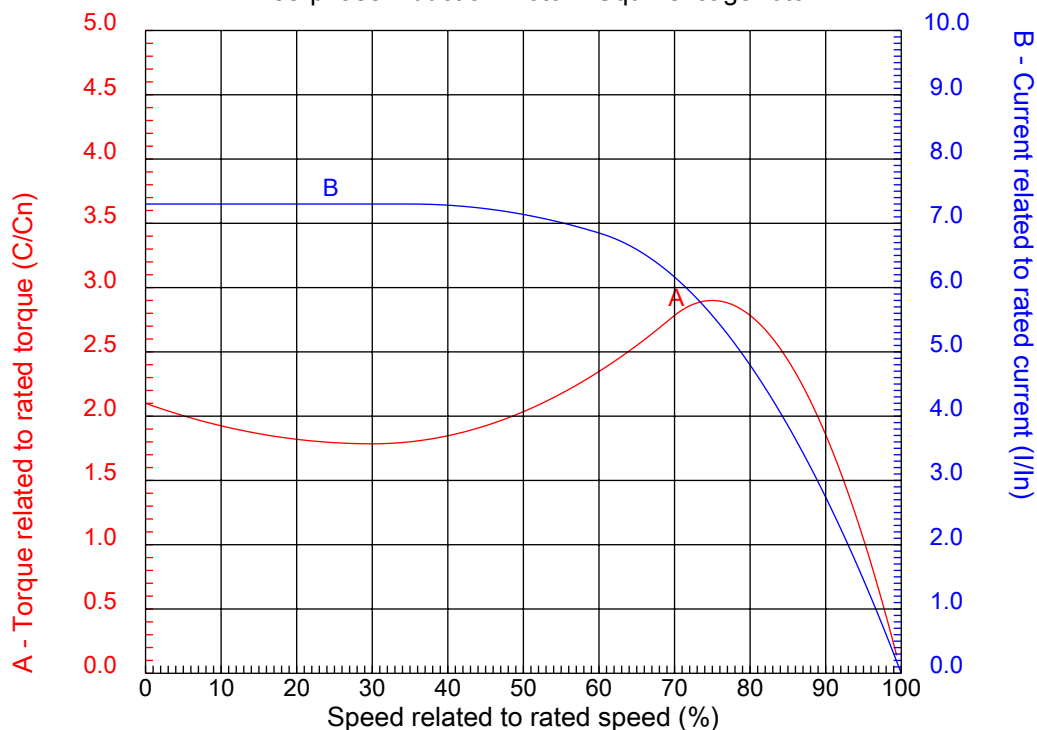
# Dealers Industrial Equipment

No.:

Date: 13-SEP-2016

## CHARACTERISTIC CURVES RELATED TO SPEED

Three-phase induction motor - Squirrel cage rotor



Customer :  
Product line : ODP – Open Induction Motors – NEMA Premium Efficiency

|                  |            |  |         |
|------------------|------------|--|---------|
| Frame            | : 184T     | Locked rotor current (I <sub>l</sub> /I <sub>n</sub> ) | : 7.3   |
| Output           | : 5 HP     | Duty cycle   | : S1    |
| Frequency        | : 60 Hz    | Service factor   | : 1.15  |
| Full load speed  | : 1755 rpm | Design   | : B     |
| Voltage          | : 200 V    | Locked rotor torque                                    | : 210 % |
| Rated current    | : 14.7 A   | Breakdown torque                                       | : 290 % |
| Insulation class | : F        |  |         |

Notes:  
Downloaded from <http://dealerselectric.com>  
Generated for Model #00518OT3P184T

Performed by

Checked

1 2 3 4 5 6 7 8

A

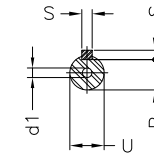
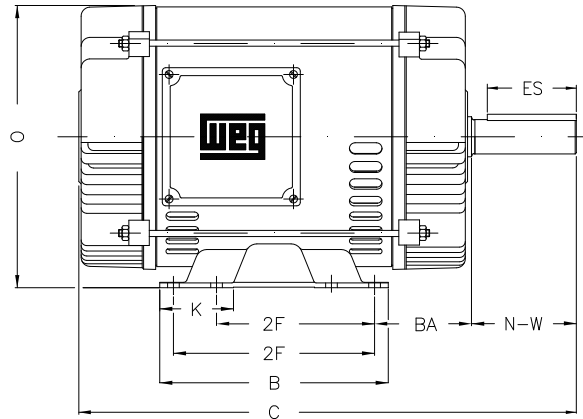
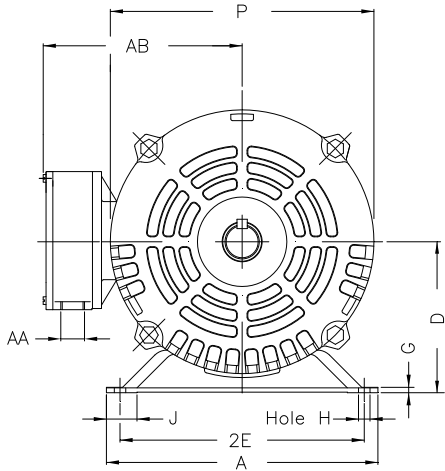
B

C

D

E

F



Notes: Downloaded from <http://dealerselectric.com>  
Generated for Model #005180T3P184T

Performed by:

Checked:

Customer:

ODP – Open Induction Motors – NEMA Premium Efficiency

Three-phase induction motor  
Frame 184T - IP21

13-SEP-2016



|                   |                |             |             |             |
|-------------------|----------------|-------------|-------------|-------------|
| 2E<br>7.500       | J<br>1.171     | A<br>8.661  | P<br>7.637  | AB<br>6.575 |
| 2F<br>4.500/5.500 | K<br>1.988     | B<br>6.299  | BA<br>2.750 | U<br>1.125  |
| d1<br>A 4         | N-W<br>2.750   | ES<br>1.969 | S<br>0.250  | R<br>0.984  |
| depth<br>0.250    | D<br>4.500     | G<br>0.187  | O<br>8.307  | H<br>0.406  |
| C<br>14.291       | AA<br>NPT 3/4" |             |             |             |

1 2 3 4 5 6 7 8

A  
B  
C  
D  
E  
F

### RUN



### ONLY FOR START



|  |             |  |
|--|-------------|--|
| Notes: Downloaded from <a href="http://dealerselectric.com">http://dealerselectric.com</a><br>Generated for Model #00518OT3P184T |             |  |
| Performed by:  |             |  |
| Checked:   |             |  |
| Customer:  |             |  |
| ODP – Open Induction Motors – NEMA Premium Efficiency  |             |  |
| Three-phase induction motor<br>Frame 184T - IP21   | 13-SEP-2016 |  |