



# Dealers Industrial Equipment

No.:

Date: 13-SEP-2016

Customer :

## TECHNICAL PROPOSAL

### Three-phase induction motor - Squirrel cage rotor

Product line : W01 (Rolled Steel) Close Coupled Pump ODP - JP Type

Catalog Number : 00518OT3E184JP-SG

List Price : \$1,019

#### Notes:

Downloaded from <http://dealerselectric.com>

Generated for Model #00518OT3E184JP-SG

Performed by:

Checked:



Dealers Industrial Equipment

No.:

Date: 13-SEP-2016

### DATA SHEET Three-phase induction motor - Squirrel cage rotor

Customer :  
Product line : W01 (Rolled Steel) Close Coupled Pump ODP - JP Type

Frame : 182/4JP  
Output : 5 HP  
Frequency : 60 Hz  
Poles : 4  
Full load speed : 1760 rpm  
Slip : 2.22 %  
Voltage : 208-230/460 V  
Rated current : 14.0-12.7/6.33 A  
Locked rotor current : 91.2/45.6 A  
Locked rotor current (I<sub>L</sub>/I<sub>n</sub>) : 7.2  
No-load current : 6.29/3.15 A  
Full load torque : 14.7 lb.ft  
Locked rotor torque : 200 %  
Breakdown torque : 310 %  
Design : B  
Insulation class : F  
Temperature rise : 80 K  
Locked rotor time : 12 s (hot)  
Service factor : 1.15  
Duty cycle : S1  
Ambient temperature : -20°C - +40°C  
Altitude : 1000 m  
Degree of Protection : ODP  
Approximate weight : 80 lb  
Moment of inertia : 0.40033 sq.ft.lb  
Noise level : 55 dB(A)

|                     | D.E.    | N.D.E.  |
|---------------------|---------|---------|
| Bearings            | 6207 ZZ | 6205 ZZ |
| Regreasing interval | ---     | ---     |
| Grease amount       | ---     | ---     |

| Load | Power factor | Efficiency (%) |
|------|--------------|----------------|
| 100% | 0.82         | 89.5           |
| 75%  | 0.76         | 88.5           |
| 50%  | 0.63         | 88.5           |

Notes:  
Downloaded from <http://dealerselectric.com>  
Generated for Model #005180T3E184JP-SG

Performed by

Checked



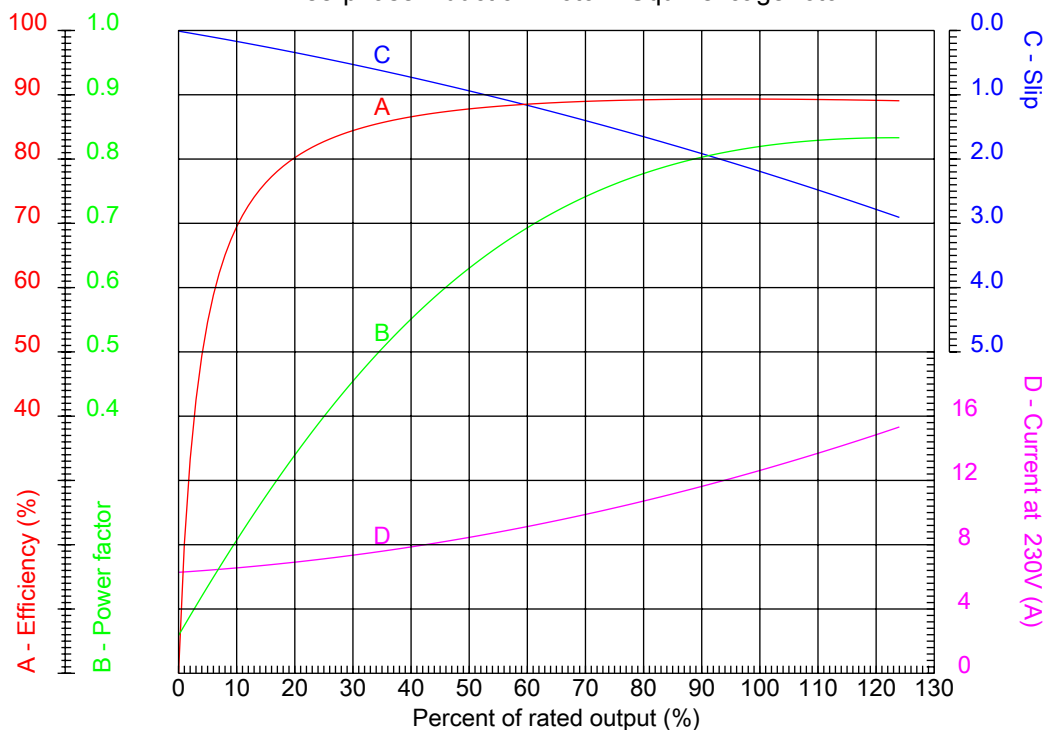
# Dealers Industrial Equipment

No.:

Date: 13-SEP-2016

## PERFORMANCE CURVES RELATED TO RATED OUTPUT

Three-phase induction motor - Squirrel cage rotor



Customer :  
Product line : W01 (Rolled Steel) Close Coupled Pump ODP - JP Type

|                  |                    |  |         |
|------------------|--------------------|--|---------|
| Frame            | : 182/4JP          | Locked rotor current (I <sub>l</sub> /I <sub>n</sub> ) | : 7.2   |
| Output           | : 5 HP             | Duty cycle   | : S1    |
| Frequency        | : 60 Hz            | Service factor   | : 1.15  |
| Full load speed  | : 1760 rpm         | Design   | : B     |
| Voltage          | : 208-230/460 V    | Locked rotor torque                                    | : 200 % |
| Rated current    | : 14.0-12.7/6.33 A | Breakdown torque                                       | : 310 % |
| Insulation class | : F                |  |         |

Notes:  
Downloaded from <http://dealerselectric.com>  
Generated for Model #00518OT3E184JP-SG

Performed by

Checked



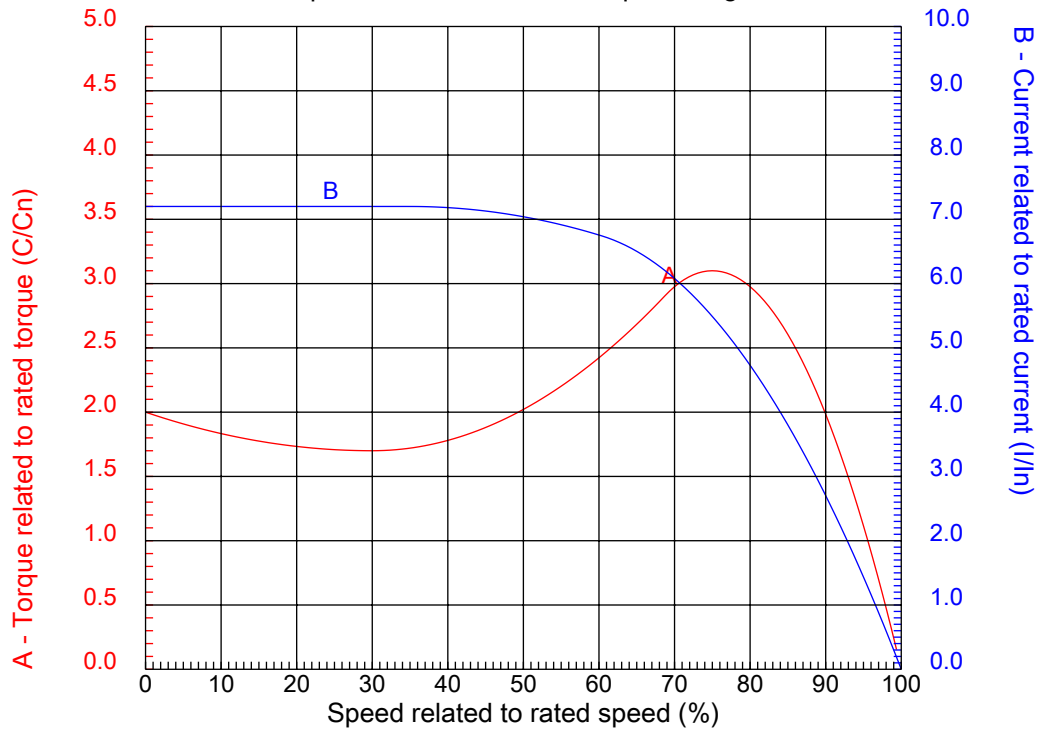
# Dealers Industrial Equipment

No.:

Date: 13-SEP-2016

## CHARACTERISTIC CURVES RELATED TO SPEED

Three-phase induction motor - Squirrel cage rotor



Customer :  
Product line : W01 (Rolled Steel) Close Coupled Pump ODP - JP Type

|                  |                    |  |         |
|------------------|--------------------|--|---------|
| Frame            | : 182/4JP          | Locked rotor current (I <sub>l</sub> /I <sub>n</sub> ) | : 7.2   |
| Output           | : 5 HP             | Duty cycle   | : S1    |
| Frequency        | : 60 Hz            | Service factor   | : 1.15  |
| Full load speed  | : 1760 rpm         | Design   | : B     |
| Voltage          | : 208-230/460 V    | Locked rotor torque                                    | : 200 % |
| Rated current    | : 14.0-12.7/6.33 A | Breakdown torque                                       | : 310 % |
| Insulation class | : F                |  |         |

Notes:  
Downloaded from <http://dealerselectric.com>  
Generated for Model #00518OT3E184JP-SG

Performed by

Checked

1 2 3 4 5 6 7 8

A

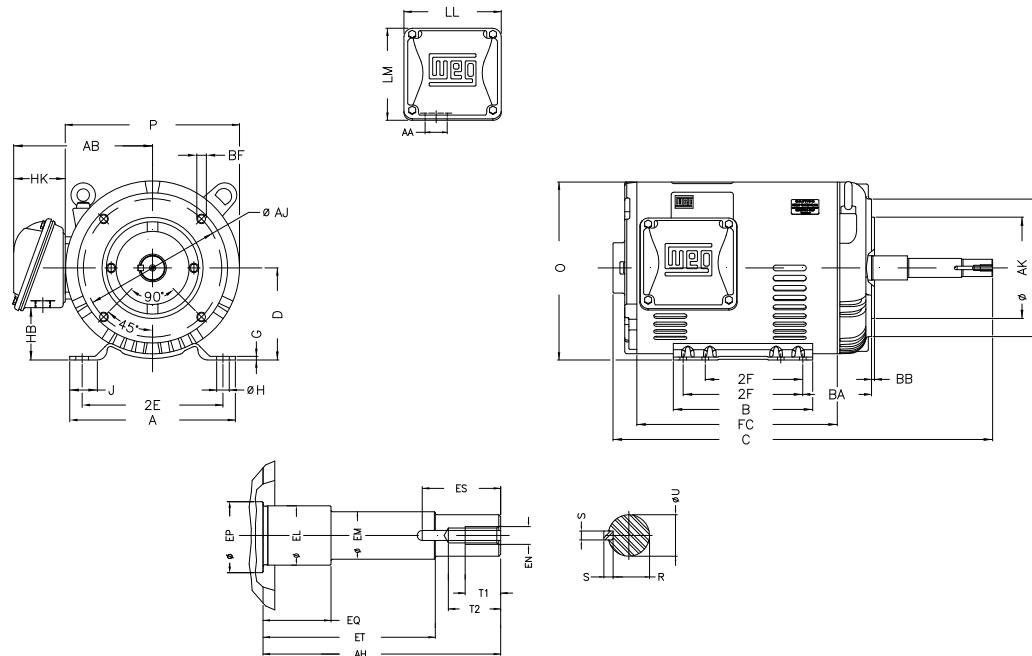
B

C

D

E

F



Notes: Downloaded from <http://dealerselectric.com>  
Generated for Model #005180T3E184JP-SG

|                   |                  |              |             |             |
|-------------------|------------------|--------------|-------------|-------------|
| 2E<br>7.500       | J<br>1.299       | A<br>8.661   | P<br>8.114  | AB<br>6.696 |
| 2F<br>4.500/5.500 | B<br>6.299       | BA<br>3.500  | D<br>4.500  | G<br>0.167  |
| O<br>8.557        | H<br>0.406       | AA<br>1.118" | ER<br>7.319 | EQ<br>1.563 |
| ET<br>5.941       | U<br>0.8745      | EM<br>1.000  | EL<br>1.250 | EP<br>1.376 |
| ES<br>1.654       | t1<br>0.748      | t2<br>1.102  | C<br>20.906 | CH<br>1.377 |
| FC<br>10.236      | Flange<br>FC-149 | AJ<br>5.874  | AK<br>4.500 | BD<br>6.496 |
| BF<br>UNC 3/8"x16 | BB<br>0.138      | AH<br>7.319  |             |             |

|  |   |
|--|---|
| Performed by:                                      |   |
| Checked:   |   |
| Customer:  | W01 (Rolled Steel) Close Coupled Pump ODP - JP Type |
| Three-phase induction motor<br>Frame 182/4JP - ODP | 13-SEP-2016   |

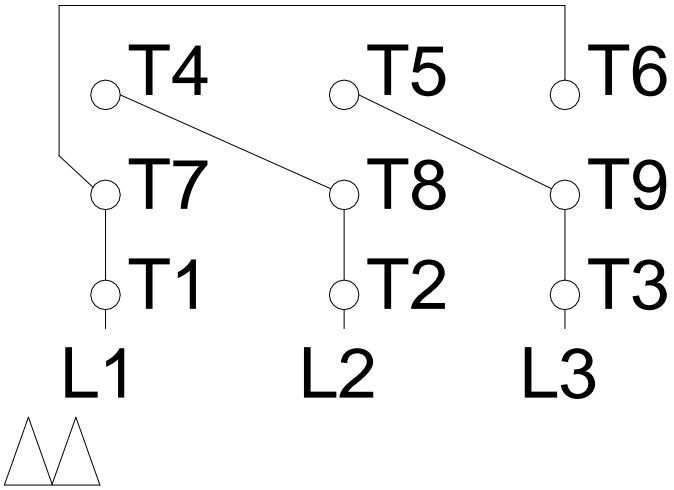


1 2 3 4 5 6 7 8

# LOW VOLTAGE

# HIGH VOLTAGE

A  
B  
C  
D  
E  
F



Notes: Downloaded from <http://dealerselectric.com>  
 Generated for Model #005180T3E184JP-SG

Performed by:

Checked:

Customer:

W01 (Rolled Steel) Close Coupled Pump ODP - JP Type

Three-phase induction motor  
 Frame 182/4JP - IP21

13-SEP-2016

