



Dealers Industrial Equipment

No.:

Date: 13-SEP-2016

Customer :

TECHNICAL PROPOSAL

Single-phase induction motor - Squirrel cage rotor

Product line : Compressor Duty : Single-Phase - ODP

Catalog Number : 00518OS1CCD184T

List Price : \$682

Notes:

Downloaded from <http://dealerselectric.com>

Generated for Model #00518OS1CCD184T

Performed by:

Checked:



Dealers Industrial Equipment

No.:

Date: 13-SEP-2016

DATA SHEET Single-phase induction motor - Squirrel cage rotor

Customer :
Product line : Compressor Duty : Single-Phase - ODP

Frame : 184T
Output : 5 HP
Frequency : 60 Hz
Poles : 4
Full load speed : 1745 rpm
Slip : 3.06 %
Voltage : 208-230 V
Rated current : 23.5-21.5 A
Locked rotor current : 140 A
Locked rotor current (I_L/I_n) : 6.5
No-load current : 7.20 A
Full load torque : 14.8 lb.ft
Locked rotor torque : 220 %
Breakdown torque : 200 %
Design : ---
Insulation class : F
Temperature rise : 80 K
Locked rotor time : 6 s (hot)
Service factor : 1.25
Duty cycle : S1
Ambient temperature : -20°C - +40°C
Altitude : 1000 m
Degree of Protection : IP22
Approximate weight : 115 lb
Moment of inertia : 0.49833 sq.ft.lb
Noise level : ---

	D.E.	N.D.E.
Bearings	6206 ZZ	6205 ZZ
Regreasing interval	---	---
Grease amount	---	---

Load	Power factor	Efficiency (%)
100%	0.91	82.5
75%	0.87	82.5
50%	0.82	81.5

Notes:
Downloaded from <http://dealerselectric.com>
Generated for Model #00518OS1CCD184T

Performed by

Checked



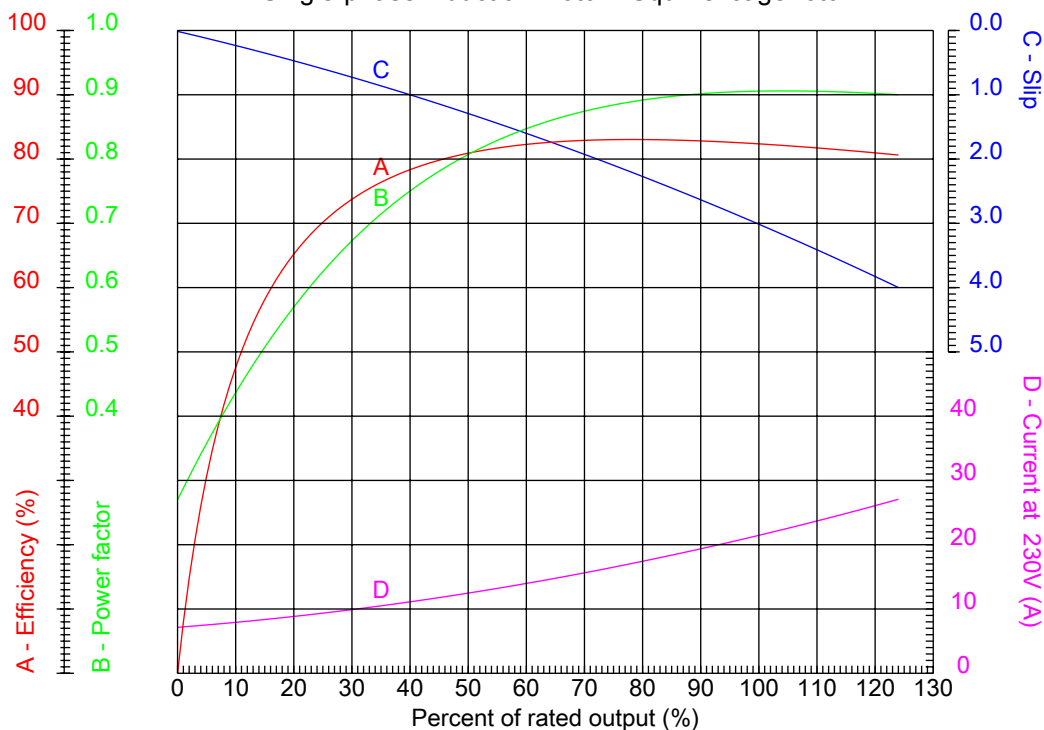
Dealers Industrial Equipment

No.:

Date: 13-SEP-2016

PERFORMANCE CURVES RELATED TO RATED OUTPUT

Single-phase induction motor - Squirrel cage rotor



Customer :
Product line : Compressor Duty : Single-Phase - ODP

Frame : 184T	Locked rotor current (I _l /I _n) : 6.5
Output : 5 HP	Duty cycle : S1
Frequency : 60 Hz	Service factor : 1.25
Full load speed : 1745 rpm	Design : ---
Voltage : 208-230 V	Locked rotor torque : 220 %
Rated current : 23.5-21.5 A	Breakdown torque : 200 %
Insulation class : F	

Notes:
Downloaded from <http://dealerselectric.com>
Generated for Model #00518OS1CCD184T

Performed by

Checked

1 2 3 4 5 6 7 8

A

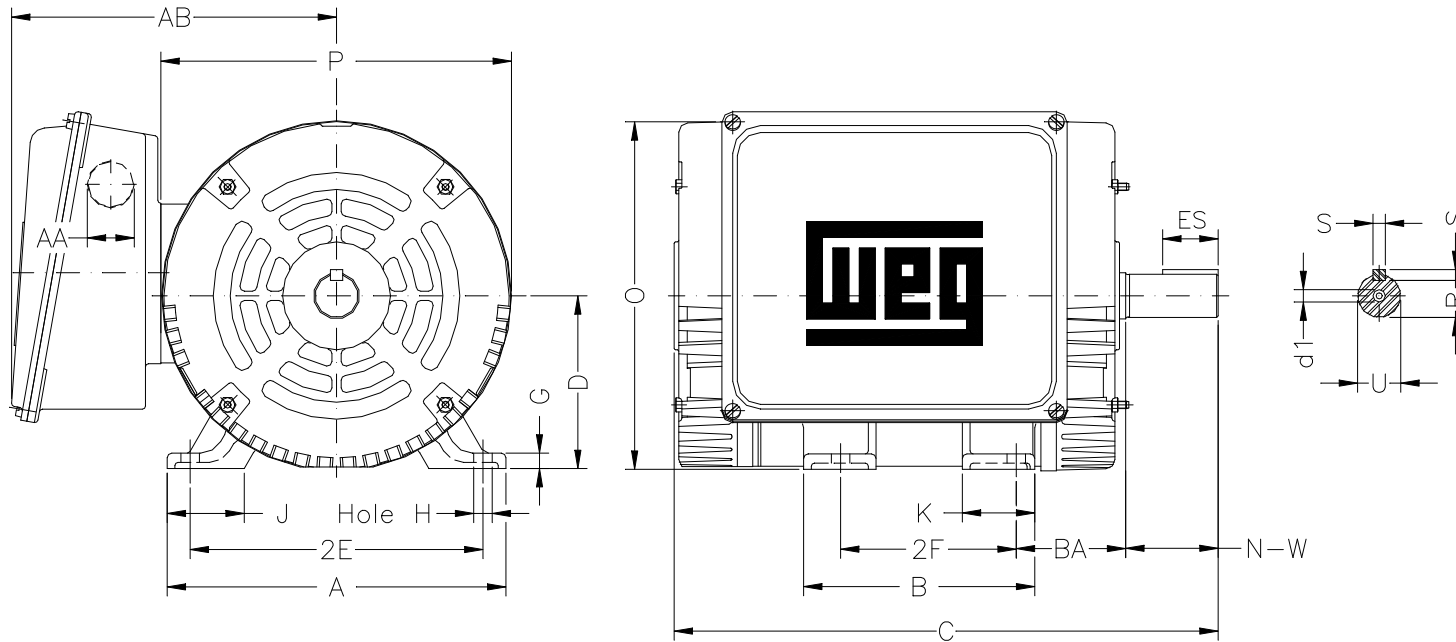
B

C

D

E

F



Notes: Downloaded from <http://dealerselectric.com>
Generated for Model #00518OS1CCD184T

Performed by:

Checked:

Customer:

Compressor Duty : Single-Phase - ODP

Single-phase induction motor
Frame 184T - IP22

13-SEP-2016



2E 7.500	2F 5.500	H 0.406	BA 2.750	A 8.661
B 7.165	C 14.870	D 4.500	G 0.472	J 1.968
K 1.850	O 8.890	P 8.858	ES 1.968	S 0.250
N-W 2.750	U 1.125	R 0.984	AB 8.346	AA NPT 3/4"
d1 A4				