



# Dealers Industrial Equipment

No.:

Date: 13-SEP-2016

Customer :

## TECHNICAL PROPOSAL

### Three-phase induction motor - Squirrel cage rotor

Product line : Close Coupled Pump : Three-Phase - "JM" Type - ODP - High Efficiency - Vertical Motors  
Catalog Number : 00518OP3E184JMV  
List Price : \$875

Notes:

Downloaded from <http://dealerselectric.com>  
Generated for Model #00518OP3E184JMV

Performed by:

Checked:



# Dealers Industrial Equipment

No.:

Date: 13-SEP-2016

## DATA SHEET Three-phase induction motor - Squirrel cage rotor

Customer :  
 Product line : Close Coupled Pump : Three-Phase - "JM" Type - ODP - High Efficiency - Vertical Motors

Frame : 184JM  
 Output : 5 HP  
 Frequency : 60 Hz  
 Poles : 4  
 Full load speed : 1750 rpm  
 Slip : 2.78 %  
 Voltage : 230/460 V  
 Rated current : 13.1/6.55 A  
 Locked rotor current : 90.4/45.2 A  
 Locked rotor current (I<sub>L</sub>/I<sub>n</sub>) : 6.9  
 No-load current : 6.40/3.20 A  
 Full load torque : 14.8 lb.ft  
 Locked rotor torque : 210 %  
 Breakdown torque : 300 %  
 Design : B  
 Insulation class : F  
 Temperature rise : 80 K  
 Locked rotor time : 10 s (hot)  
 Service factor : 1.15  
 Duty cycle : S1  
 Ambient temperature : -20°C - +40°C  
 Altitude : 1000 m  
 Degree of Protection : IP21  
 Approximate weight : 60 lb  
 Moment of inertia : 0.31774 sq.ft.lb  
 Noise level : ---

	D.E.	N.D.E.	Load	Power factor	Efficiency (%)
Bearings	6207 ZZ	6205 ZZ	100%	0.81	87.5
Regreasing interval	---	---	75%	0.74	87.5
Grease amount	---	---	50%	0.61	85.5

Notes:  
 Downloaded from <http://dealerselectric.com>  
 Generated for Model #00518OP3E184JMV

Performed by

Checked



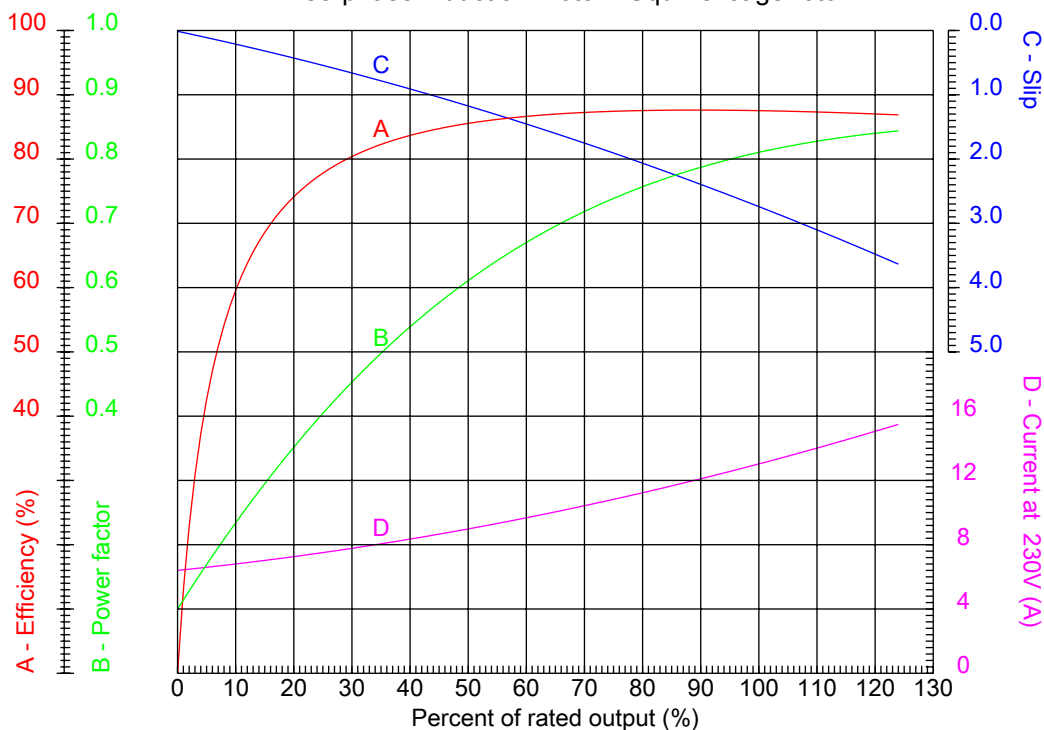
# Dealers Industrial Equipment

No.:

Date: 13-SEP-2016

## PERFORMANCE CURVES RELATED TO RATED OUTPUT

Three-phase induction motor - Squirrel cage rotor



Customer :  
 Product line : Close Coupled Pump : Three-Phase - "JM" Type - ODP - High Efficiency - Vertical Motors

Frame : 184JM	Locked rotor current (I <sub>l</sub> /I <sub>n</sub> ) : 6.9
Output : 5 HP	Duty cycle : S1
Frequency : 60 Hz	Service factor : 1.15
Full load speed : 1750 rpm	Design : B
Voltage : 230/460 V	Locked rotor torque : 210 %
Rated current : 13.1/6.55 A	Breakdown torque : 300 %
Insulation class : F	

Notes:  
 Downloaded from <http://dealerselectric.com>  
 Generated for Model #00518OP3E184JMV

Performed by

Checked



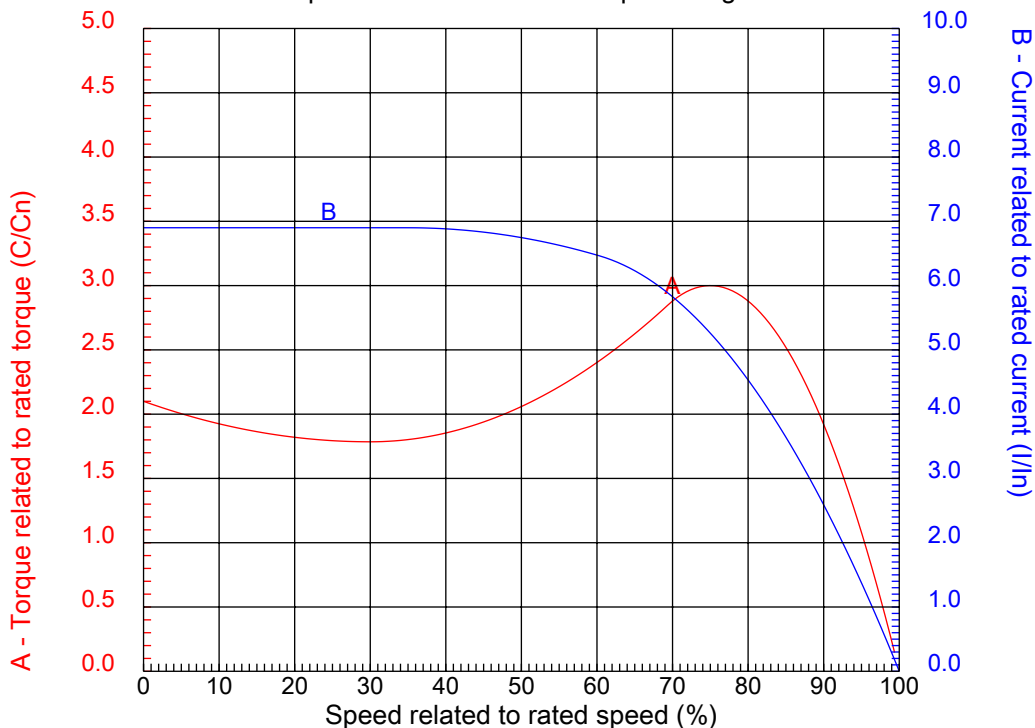
# Dealers Industrial Equipment

No.:

Date: 13-SEP-2016

## CHARACTERISTIC CURVES RELATED TO SPEED

Three-phase induction motor - Squirrel cage rotor



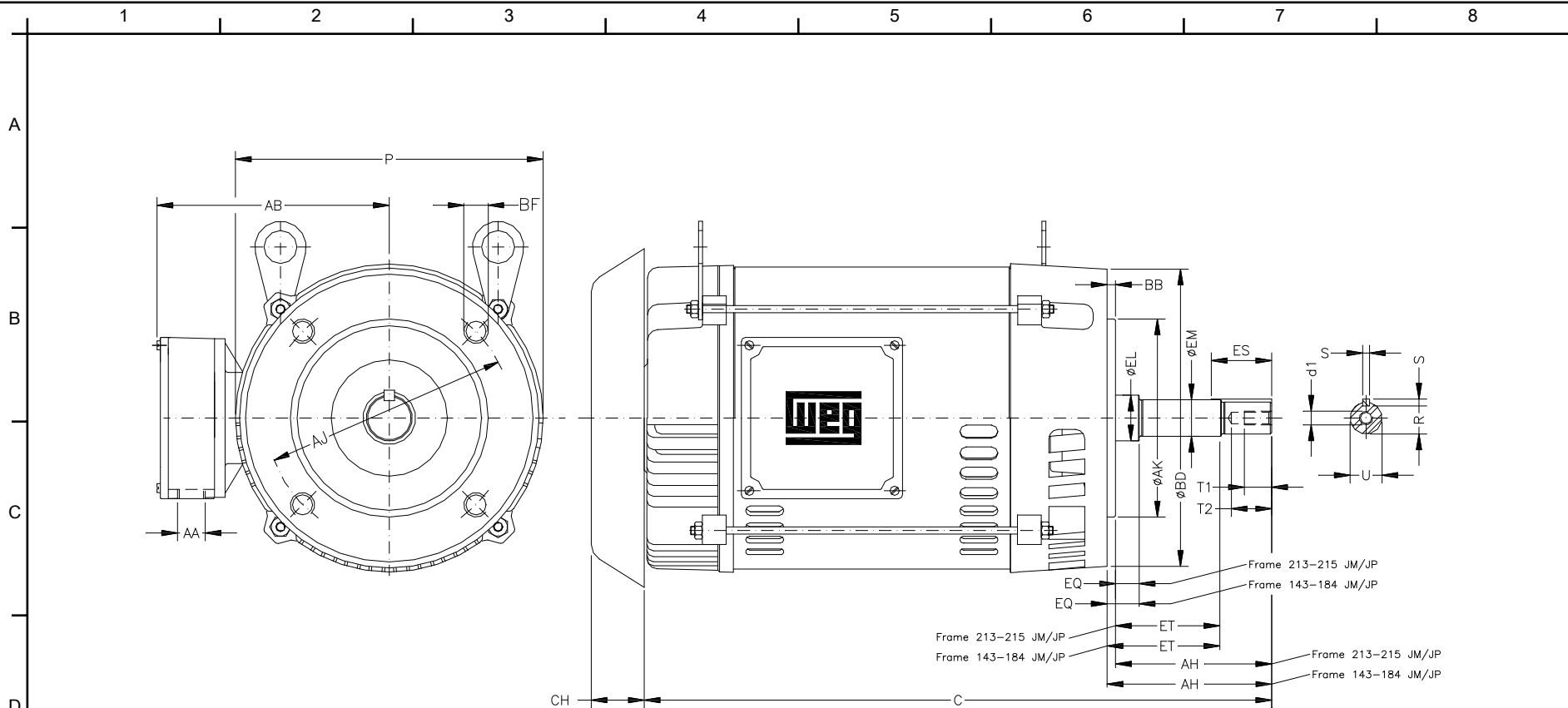
Customer	:	
Product line	:	Close Coupled Pump : Three-Phase - "JM" Type - ODP - High Efficiency - Vertical Motors

Frame	:	184JM	Locked rotor current (I <sub>l</sub> /I <sub>n</sub> )	:	6.9
Output	:	5 HP	Duty cycle	:	S1
Frequency	:	60 Hz	Service factor	:	1.15
Full load speed	:	1750 rpm	Design	:	B
Voltage	:	230/460 V	Locked rotor torque	:	210 %
Rated current	:	13.1/6.55 A	Breakdown torque	:	300 %
Insulation class	:	F			

Notes:  
 Downloaded from <http://dealerselectric.com>  
 Generated for Model #00518OP3E184JMV

Performed by

Checked



Notes: Downloaded from <http://dealerselectric.com>  
 Generated for Model #005180P3E184JMV

Performed by:

Checked:

Customer:

Close Coupled Pump : Three-Phase - "JM" Type - ODP - High Efficiency -

Three-phase induction motor  
 Frame 184JM - IP21

13-SEP-2016



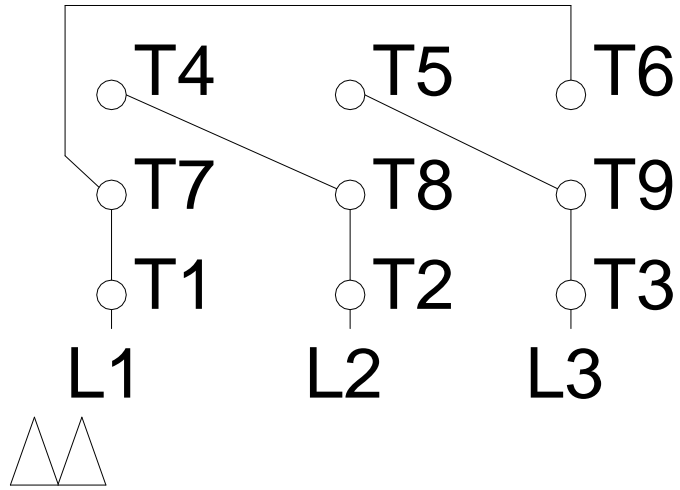
P	AB	AA	EQ	ET
7.637	6.574	NPT 3/4"	0.630	2.880
U	EM	EL	S	EP
0.874	1.000	1.250	0.187	1.376
R	ES	d1	t1	t2
0.767	1.575	EUNC 3/8"-16	0.748	1.102
C	Flange	AJ	AK	BD
15.315	FC-149	5.874	4.500	6.496
BF	BB	AH		
UNC 3/8"x16	0.157	4.258		

1 2 3 4 5 6 7 8

# LOW VOLTAGE

# HIGH VOLTAGE

A  
B  
C  
D  
E  
F



Notes: Downloaded from <http://dealerselectric.com>  
 Generated for Model #00518OP3E184JMV

Performed by:

Checked:

Customer:

Close Coupled Pump : Three-Phase - "JM" Type - ODP - High Efficiency -

Three-phase induction motor  
 Frame 184JM - IP21

13-SEP-2016

