



Dealers Industrial Equipment

No.:

Date: 13-SEP-2016

Customer :

TECHNICAL PROPOSAL

Three-phase induction motor - Squirrel cage rotor

Product line : Close Coupled Pump : Three-Phase - "JM" Type - ODP - High Efficiency

Catalog Number : 00518OP3E184JM

List Price : \$740

Notes:

Downloaded from <http://dealerselectric.com>

Generated for Model #00518OP3E184JM

Performed by:

Checked:



# Dealers Industrial Equipment

No.:

Date: 13-SEP-2016

## DATA SHEET Three-phase induction motor - Squirrel cage rotor

Customer :  
 Product line : Close Coupled Pump : Three-Phase - "JM" Type - ODP - High Efficiency

Frame : 184JM  
 Output : 5 HP  
 Frequency : 60 Hz  
 Poles : 4  
 Full load speed : 1750 rpm  
 Slip : 2.78 %  
 Voltage : 230/460 V  
 Rated current : 13.1/6.55 A  
 Locked rotor current : 90.4/45.2 A  
 Locked rotor current (I<sub>L</sub>/I<sub>n</sub>) : 6.9  
 No-load current : 6.40/3.20 A  
 Full load torque : 14.8 lb.ft  
 Locked rotor torque : 210 %  
 Breakdown torque : 300 %  
 Design : B  
 Insulation class : F  
 Temperature rise : 80 K  
 Locked rotor time : 10 s (hot)  
 Service factor : 1.15  
 Duty cycle : S1  
 Ambient temperature : -20°C - +40°C  
 Altitude : 1000 m  
 Degree of Protection : IP21  
 Approximate weight : 60 lb  
 Moment of inertia : 0.31774 sq.ft.lb  
 Noise level : ---

	D.E.	N.D.E.
Bearings	6207 ZZ	6205 ZZ
Regreasing interval	---	---
Grease amount	---	---

Load	Power factor	Efficiency (%)
100%	0.81	87.5
75%	0.74	87.5
50%	0.61	85.5

Notes:  
 Downloaded from <http://dealerselectric.com>  
 Generated for Model #00518OP3E184JM

Performed by

Checked



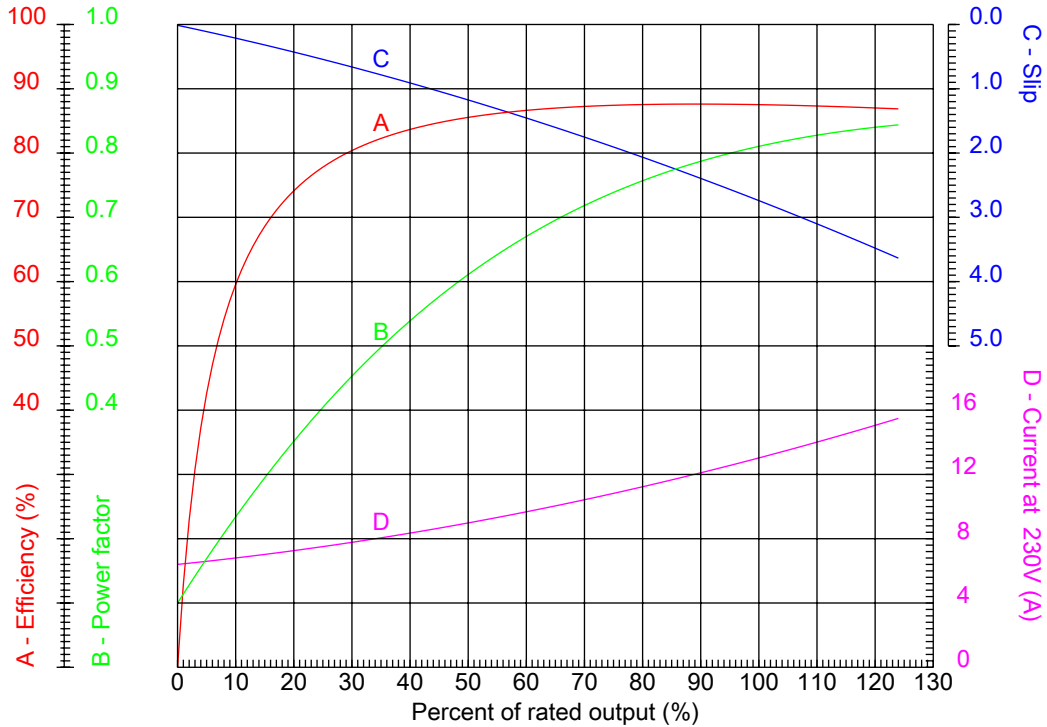
# Dealers Industrial Equipment

No.:

Date: 13-SEP-2016

## PERFORMANCE CURVES RELATED TO RATED OUTPUT

Three-phase induction motor - Squirrel cage rotor



Customer :  
 Product line : Close Coupled Pump : Three-Phase - "JM" Type - ODP - High Efficiency

Frame	: 184JM	Locked rotor current (I <sub>l</sub> /I <sub>n</sub> )	: 6.9
Output	: 5 HP	Duty cycle	: S1
Frequency	: 60 Hz	Service factor	: 1.15
Full load speed	: 1750 rpm	Design	: B
Voltage	: 230/460 V	Locked rotor torque	: 210 %
Rated current	: 13.1/6.55 A	Breakdown torque	: 300 %
Insulation class	: F		

Notes:  
 Downloaded from <http://dealerselectric.com>  
 Generated for Model #00518OP3E184JM

Performed by

Checked



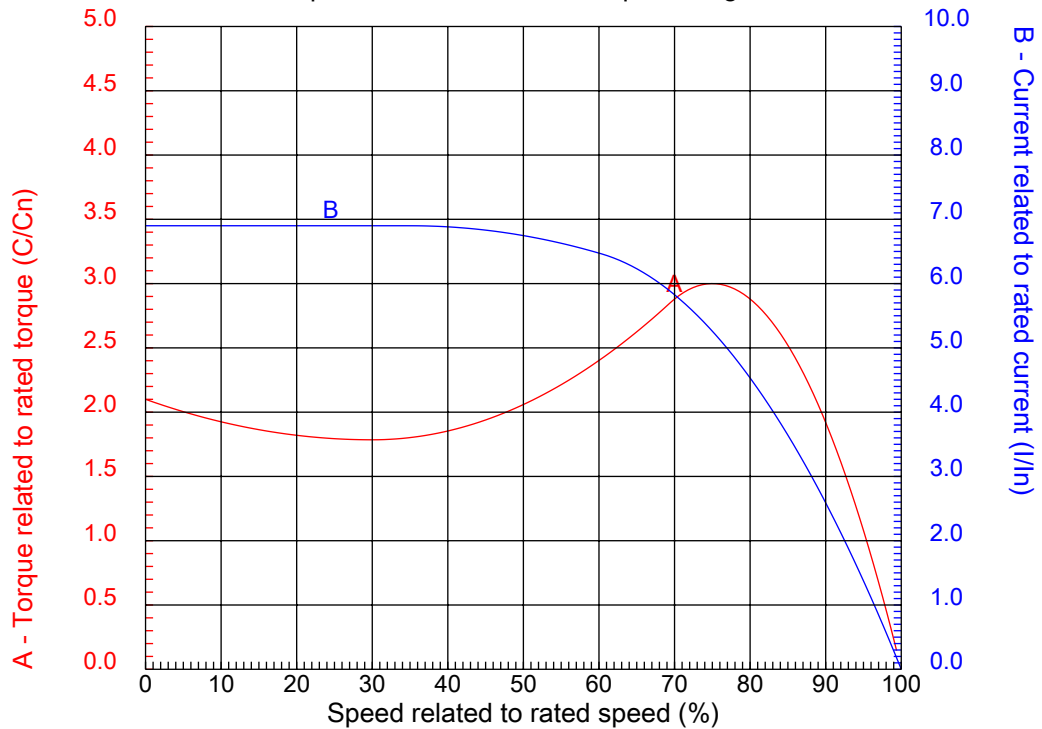
# Dealers Industrial Equipment

No.:

Date: 13-SEP-2016

## CHARACTERISTIC CURVES RELATED TO SPEED

Three-phase induction motor - Squirrel cage rotor



Customer :  
Product line : Close Coupled Pump : Three-Phase - "JM" Type - ODP - High Efficiency

Frame	: 184JM	Locked rotor current (I <sub>l</sub> /I <sub>n</sub> )	: 6.9
Output	: 5 HP	Duty cycle	: S1
Frequency	: 60 Hz	Service factor	: 1.15
Full load speed	: 1750 rpm	Design	: B
Voltage	: 230/460 V	Locked rotor torque	: 210 %
Rated current	: 13.1/6.55 A	Breakdown torque	: 300 %
Insulation class	: F		

Notes:  
Downloaded from <http://dealerselectric.com>  
Generated for Model #00518OP3E184JM

Performed by

Checked

1 2 3 4 5 6 7 8

A

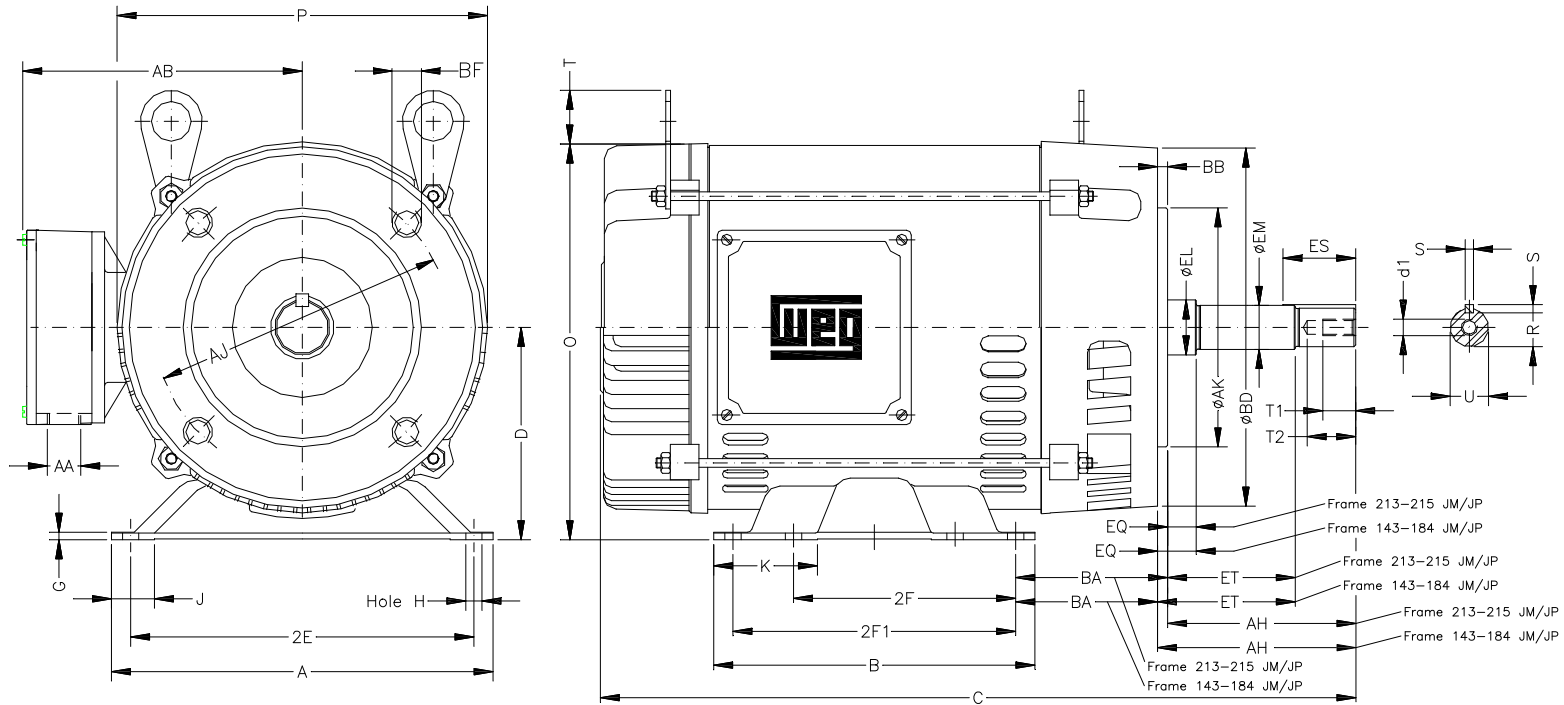
B

C

D

E

F



Notes: Downloaded from <http://dealerselectric.com>  
Generated for Model #005180P3E184JM

2E 7.500	A 8.661	2F 4.500/5.500	B 6.299	J 1.171
BA 2.750	D 4.500	K 1.988	G 0.187	O 8.307
P 7.637	T 1.614	AB 6.574	H 0.406	AA NPT 3/4"
EQ 0.630	ET 2.880	U 0.874	EM 1.000	EL 1.250
S 0.187	EP 1.376	R 0.767	ES 1.575	d1 EUNC 3/8"-16
t1 0.748	t2 1.102	C 15.315	Flange FC-149	AJ 5.874
AK 4.500	BD 6.496	BF UNC 3/8"x16	BB 0.157	AH 4.258

Performed by:	
Checked:	
Customer:	
Close Coupled Pump : Three-Phase - "JM" Type - ODP - High Efficiency	
Three-phase induction motor Frame 184JM - IP21	13-SEP-2016

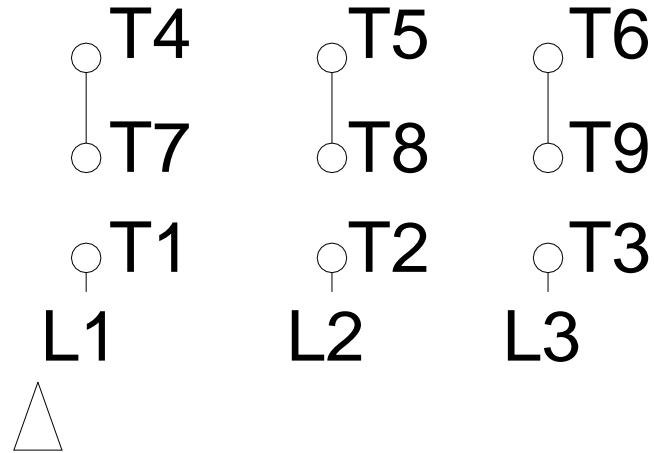


1 2 3 4 5 6 7 8

# LOW VOLTAGE

# HIGH VOLTAGE

A  
B  
C  
D  
E  
F



Notes: Downloaded from <http://dealerselectric.com>  
 Generated for Model #00518OP3E184JM

Performed by:

Checked:

Customer:

Close Coupled Pump : Three-Phase - "JM" Type - ODP - High Efficiency

Three-phase induction motor  
 Frame 184JM - IP21

13-SEP-2016

