



Dealers Industrial Equipment

No.:

Date: 13-SEP-2016

Customer :

TECHNICAL PROPOSAL

Three-phase induction motor - Squirrel cage rotor

Product line : Three-Phase: W21 IE3 IEC Tru-Metric - TEFC (IP55) Multi-Mounting Aluminum
Frame
Catalog Number : 00518ET3YAL132S
List Price : \$932

Notes:
Downloaded from <http://dealerselectric.com>
Generated for Model #00518ET3YAL132S

Performed by:

Checked:



Dealers Industrial Equipment

No.:

Date: 13-SEP-2016

DATA SHEET

Three-phase induction motor - Squirrel cage rotor

Customer :
 Product line : Three-Phase: W21 IE3 IEC Tru-Metric - TEFC (IP55) Multi-Mounting Aluminum Frame

Frame : 132S
 Output : 7.5 HP
 Frequency : 60 Hz
 Poles : 4
 Full load speed : 1765 rpm
 Slip : 1.94 %
 Voltage : 460 V
 Rated current : 9.07 A
 Locked rotor current : 91.6 A
 Locked rotor current (I_L/I_n) : 10.1
 No-load current : 4.43 A
 Full load torque : 22.0 lb.ft
 Locked rotor torque : 260 %
 Breakdown torque : 430 %
 Design : ---
 Insulation class : F
 Temperature rise : 80 K
 Locked rotor time : 18 s (hot)
 Service factor : 1.25
 Duty cycle : S1
 Ambient temperature : -20°C - +40°C
 Altitude : 1000 m
 Degree of Protection : IP55
 Approximate weight : 139 lb
 Moment of inertia : 1.2539 sq.ft.lb
 Noise level : 56 dB(A)

	D.E.	N.D.E.	Load	Power factor	Efficiency (%)
Bearings	6308 ZZ	6207 ZZ	100%	0.83	91.7
Regreasing interval	---	---	75%	0.77	91.0
Grease amount	---	---	50%	0.65	88.5

Notes:
 Downloaded from <http://dealerselectric.com>
 Generated for Model #00518ET3YAL132S

Performed by

Checked



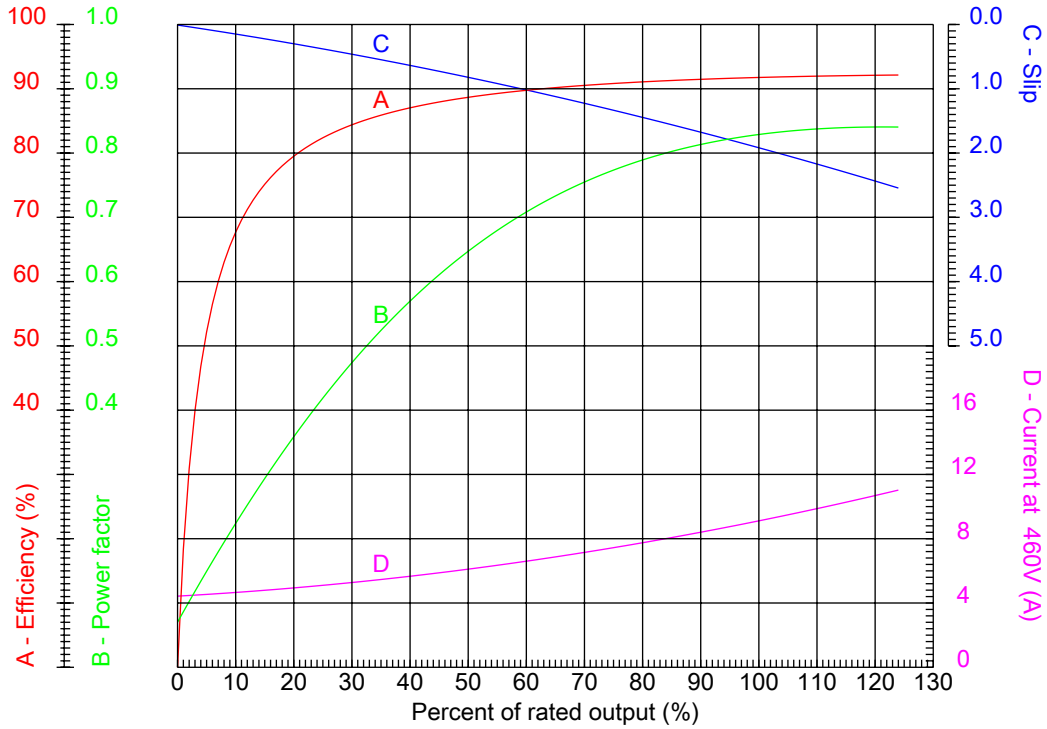
Dealers Industrial Equipment

No.:

Date: 13-SEP-2016

PERFORMANCE CURVES RELATED TO RATED OUTPUT

Three-phase induction motor - Squirrel cage rotor



Customer :
 Product line : Three-Phase: W21 IE3 IEC Tru-Metric - TEFC (IP55) Multi-Mounting Aluminum Frame

Frame : 132S	Locked rotor current (I _l /I _n) : 10.1
Output : 7.5 HP	Duty cycle : S1
Frequency : 60 Hz	Service factor : 1.25
Full load speed : 1765 rpm	Design : ---
Voltage : 460 V	Locked rotor torque : 260 %
Rated current : 9.07 A	Breakdown torque : 430 %
Insulation class : F	

Notes:
 Downloaded from <http://dealerselectric.com>
 Generated for Model #00518ET3YAL132S

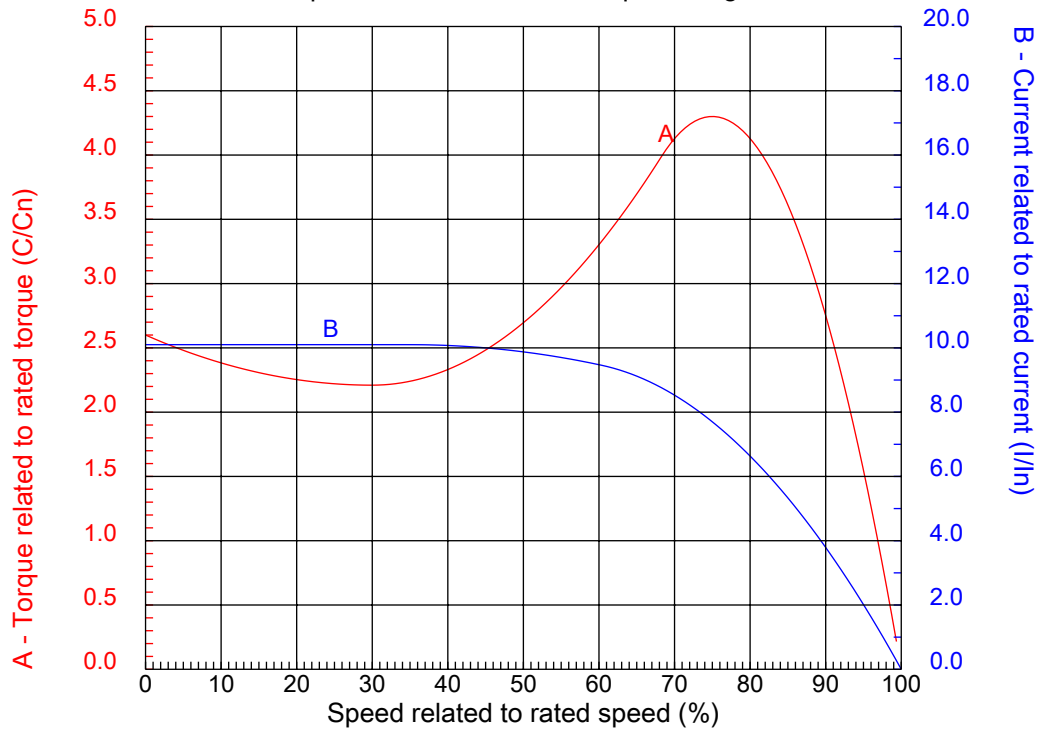
Performed by

Checked



CHARACTERISTIC CURVES RELATED TO SPEED

Three-phase induction motor - Squirrel cage rotor



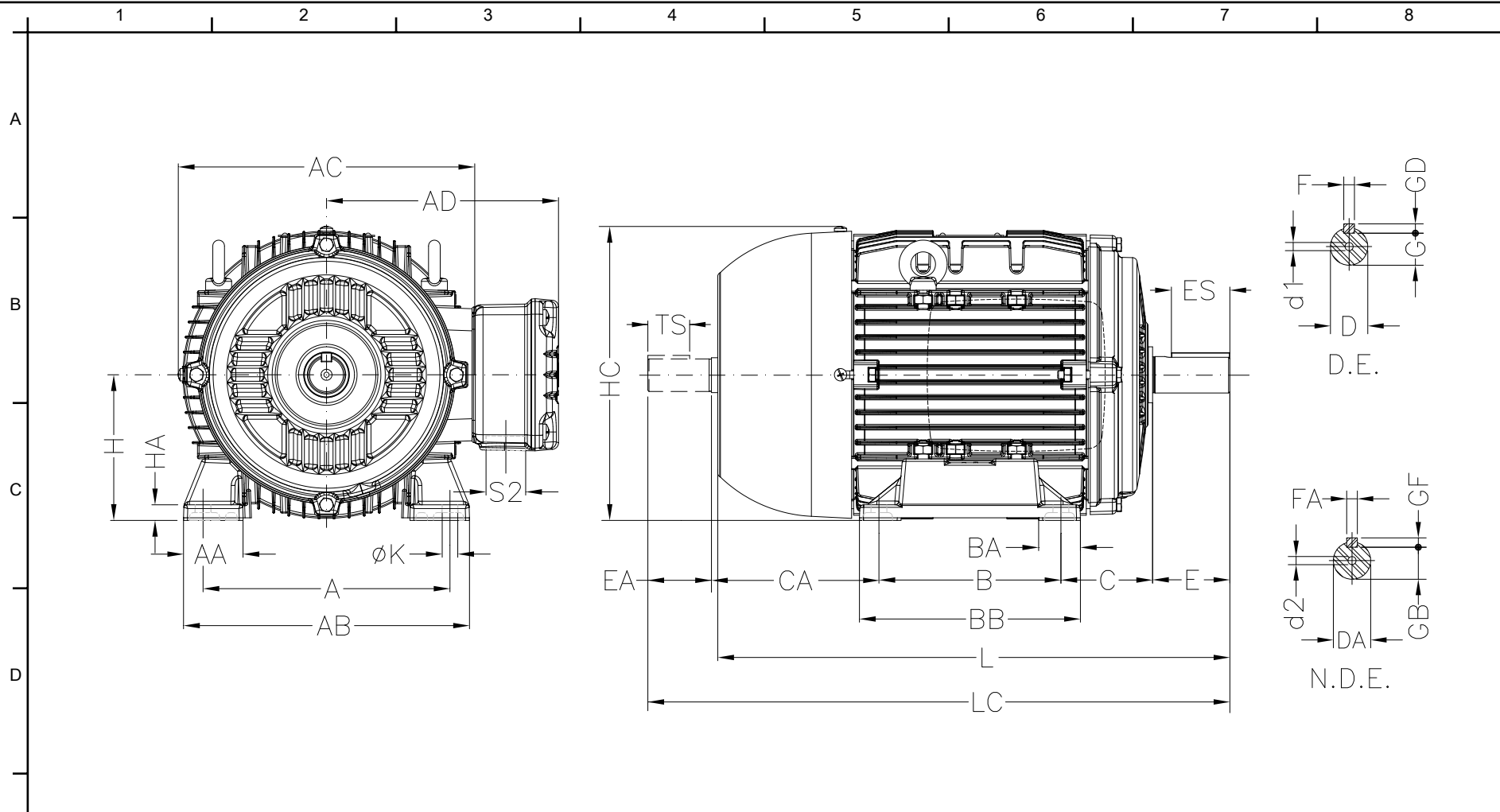
Customer :
Product line : Three-Phase: W21 IE3 IEC Tru-Metric - TEFC (IP55) Multi-Mounting Aluminum Frame

Frame	: 132S	Locked rotor current (I _l /I _n)	: 10.1
Output	: 7.5 HP	Duty cycle	: S1
Frequency	: 60 Hz	Service factor	: 1.25
Full load speed	: 1765 rpm	Design	: ---
Voltage	: 460 V	Locked rotor torque	: 260 %
Rated current	: 9.07 A	Breakdown torque	: 430 %
Insulation class	: F		

Notes:
Downloaded from <http://dealerselectric.com>
Generated for Model #00518ET3YAL132S

Performed by

Checked




Notes: Downloaded from <http://dealerselectric.com>
 Generated for Model #00518ET3YAL132S

A	AA	AB	AC	AD
216	44	248	270	205
B	BA	BB	C	CA
140	37	170	89	150
D	E	ES	F	G
38j6	80	63	10	33
GD	DA	EA	TS	FA
8	28j6	60	45	8
GB	GF	H	HA	HC
24	7	132	12	274
HD	K	L	LC	S2
360	12	490	557	2xM32x1,5
d1	d2			
DM12	DM10			

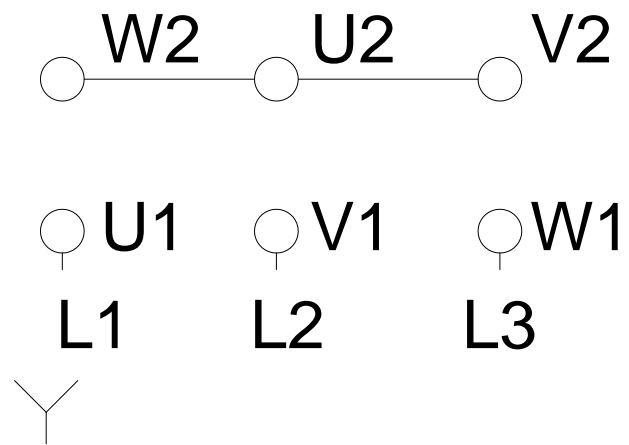
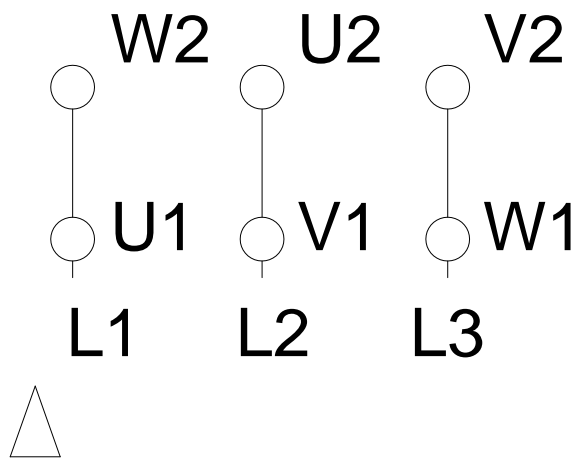
Performed by:
 Checked:
 Customer:
 Three-Phase: W21 IE3 IEC Tru-Metric - TEFC (IP55) Multi-Mounting Aluminum
 Three-phase induction motor
 Frame 132S - IP55

13-SEP-2016



LOW VOLTAGE

HIGH VOLTAGE



Notes: Downloaded from http://dealerselectric.com Generated for Model #00518ET3YAL132S		
Performed by:		
Checked:		
Customer:		
Three-Phase: W21 IE3 IEC Tru-Metric - TEFC (IP55) Multi-Mounting Aluminum		
Three-phase induction motor Frame 132S - IP55	13-SEP-2016	