



# Dealers Industrial Equipment

No.:

Date: 13-SEP-2016

Customer :

## TECHNICAL PROPOSAL

### Three-phase induction motor - Squirrel cage rotor

Product line : Saw Arbor Motors : Single and Double Shaft End

Catalog Number : 00518ES3ESA90LL

List Price : \$1,701

#### Notes:

Downloaded from <http://dealerselectric.com>

Generated for Model #00518ES3ESA90LL

Performed by:

Checked:



# Dealers Industrial Equipment

No.:

Date: 13-SEP-2016

## DATA SHEET Three-phase induction motor - Squirrel cage rotor

Customer :  
 Product line : Saw Arbor Motors : Single and Double Shaft End

Frame : 90L  
 Output : 5 HP  
 Frequency : 60 Hz  
 Poles : 4  
 Full load speed : 1740 rpm  
 Slip : 3.33 %  
 Voltage : 208-230/460 V  
 Rated current : 15.5-14.1/7.03 A  
 Locked rotor current : 112/56.2 A  
 Locked rotor current (I<sub>L</sub>/I<sub>n</sub>) : 8.0  
 No-load current : 8.03/4.02 A  
 Full load torque : 14.9 lb.ft  
 Locked rotor torque : 380 %  
 Breakdown torque : 410 %  
 Design : ---  
 Insulation class : F  
 Temperature rise : 80 K  
 Locked rotor time : 8 s (hot)  
 Service factor : 1.15  
 Duty cycle : S6 50%  
 Ambient temperature : -20°C - +40°C  
 Altitude : 1000 m  
 Degree of Protection : IP54  
 Approximate weight : 143 lb  
 Moment of inertia : 0.26601 sq.ft.lb  
 Noise level : 51 dB(A)

|                     | D.E.    | N.D.E.  |
|---------------------|---------|---------|
| Bearings            | 6308 ZZ | 6208 ZZ |
| Regreasing interval | ---     | ---     |
| Grease amount       | ---     | ---     |

| Load | Power factor | Efficiency (%) |
|------|--------------|----------------|
| 100% | 0.78         | 84.5           |
| 75%  | 0.71         | 84.0           |
| 50%  | 0.58         | 82.0           |

Notes:  
 Downloaded from <http://dealerselectric.com>  
 Generated for Model #00518ES3ESA90LL

Performed by

Checked



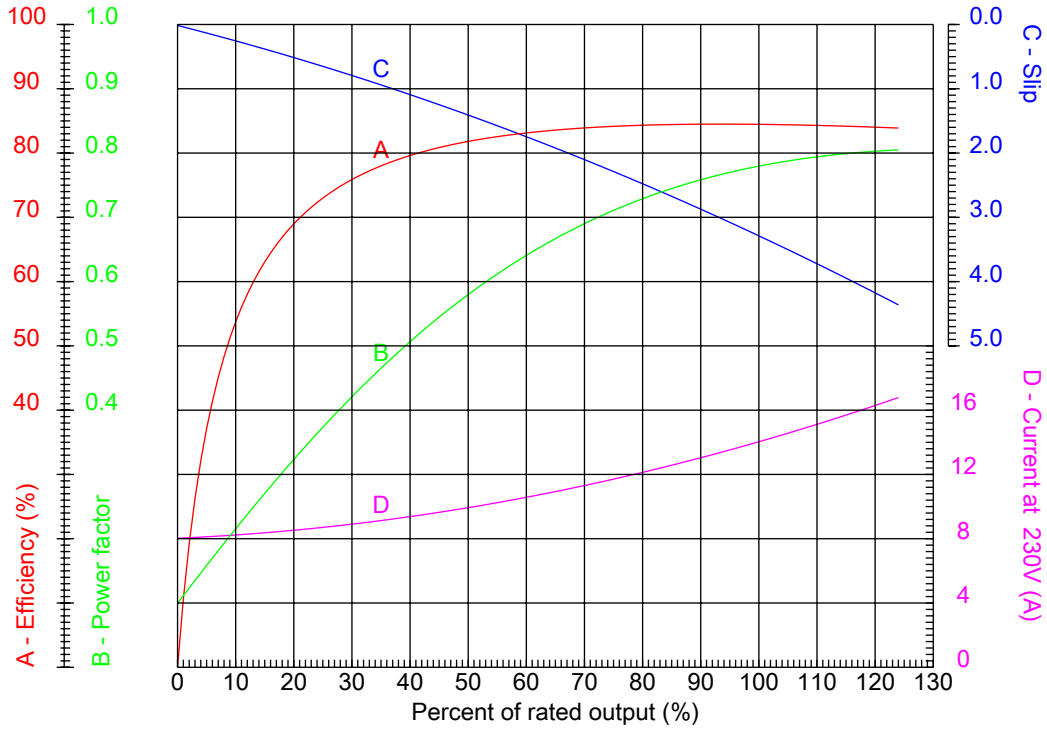
# Dealers Industrial Equipment

No.:

Date: 13-SEP-2016

## PERFORMANCE CURVES RELATED TO RATED OUTPUT

Three-phase induction motor - Squirrel cage rotor



Customer :  
 Product line : Saw Arbor Motors : Single and Double Shaft End

|                  |                    |  |          |
|------------------|--------------------|--|----------|
| Frame            | : 90L              | Locked rotor current (I <sub>l</sub> /I <sub>n</sub> ) | : 8.0    |
| Output           | : 5 HP             | Duty cycle   | : S6 50% |
| Frequency        | : 60 Hz            | Service factor   | : 1.15   |
| Full load speed  | : 1740 rpm         | Design   | : ---    |
| Voltage          | : 208-230/460 V    | Locked rotor torque                                    | : 380 %  |
| Rated current    | : 15.5-14.1/7.03 A | Breakdown torque                                       | : 410 %  |
| Insulation class | : F                |  |          |

Notes:  
 Downloaded from <http://dealerselectric.com>  
 Generated for Model #00518ES3ESA90LL

Performed by

Checked



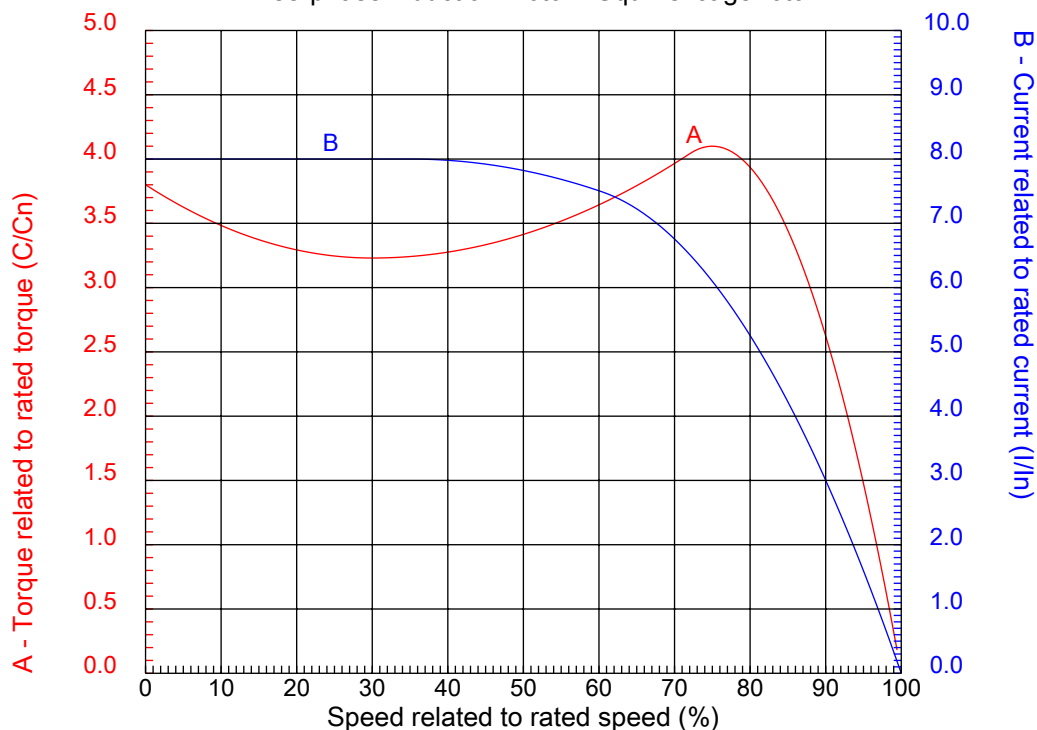
# Dealers Industrial Equipment

No.:

Date: 13-SEP-2016

## CHARACTERISTIC CURVES RELATED TO SPEED

Three-phase induction motor - Squirrel cage rotor



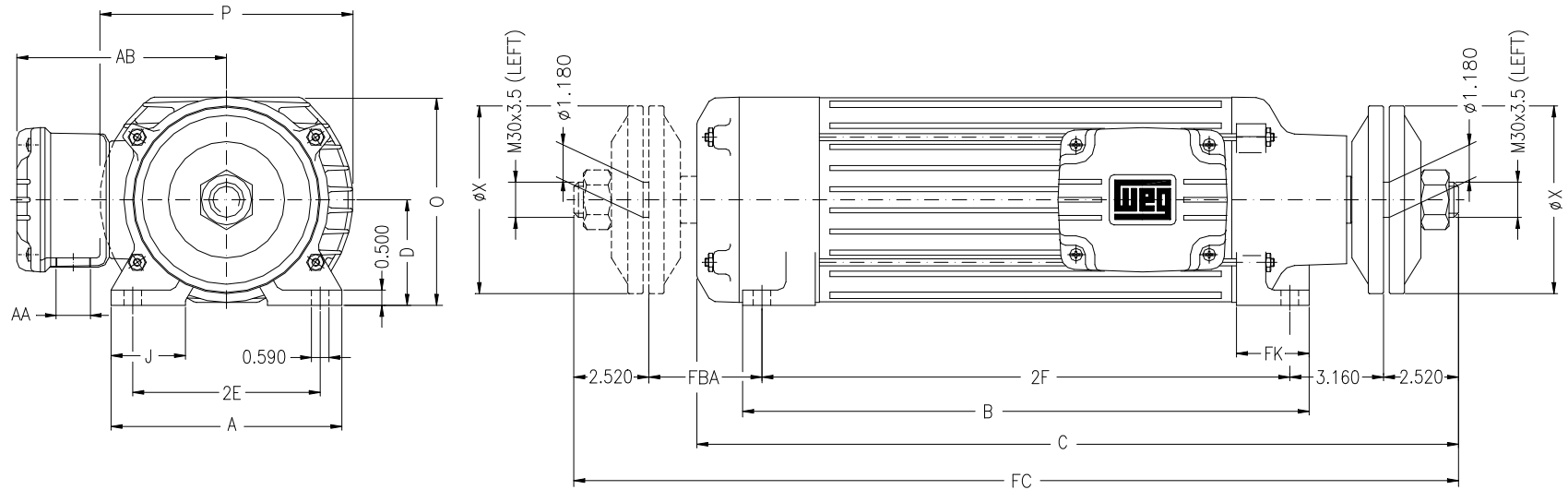
Customer :  
Product line : Saw Arbor Motors : Single and Double Shaft End

|                  |                    |  |          |
|------------------|--------------------|--|----------|
| Frame            | : 90L              | Locked rotor current (I/I <sub>n</sub> ) | : 8.0    |
| Output           | : 5 HP             | Duty cycle                               | : S6 50% |
| Frequency        | : 60 Hz            | Service factor                           | : 1.15   |
| Full load speed  | : 1740 rpm         | Design                                   | : ---    |
| Voltage          | : 208-230/460 V    | Locked rotor torque                      | : 380 %  |
| Rated current    | : 15.5-14.1/7.03 A | Breakdown torque                         | : 410 %  |
| Insulation class | : F                |  |          |

Notes:  
Downloaded from <http://dealerselectric.com>  
Generated for Model #00518ES3ESA90LL

Performed by

Checked



Notes: Downloaded from <http://dealerselectric.com>  
 Generated for Model #00518ES3ESA90LL

Performed by:

Checked:

Customer:

Saw Arbor Motors : Single and Double Shaft End

|     |       |       |        |    |
|-----|-------|-------|--------|----|
| A   | B     | AB    | BB     | BA |
| 160 | 510   | 197   | 543    | 62 |
| CA  | L     | LC    | H      | AA |
| 43  | 672.5 | 758.0 | 90     | 63 |
| HC  | AC    | AD    | S1     |    |
| 177 | 208   | 179   | NPT 1" |    |

Three-phase induction motor  
 Frame 90L - IP54

13-SEP-2016



1 2 3 4 5 6 7 8

A

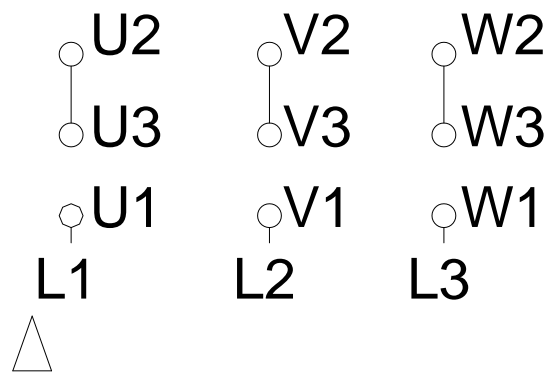
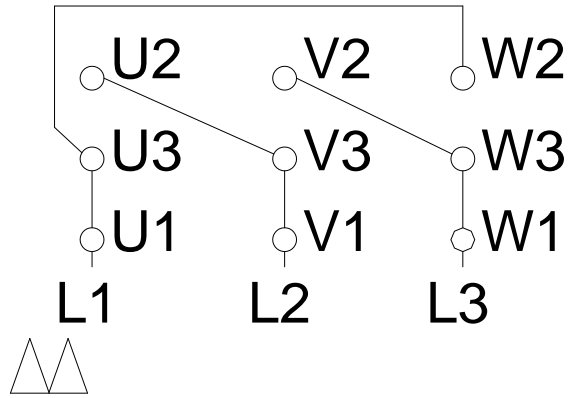
B

C

D

E

F



Notes: Downloaded from <http://dealerselectric.com>  
 Generated for Model #00518ES3ESA90LL

Performed by:

Checked:

Customer:

Saw Arbor Motors : Single and Double Shaft End

Three-phase induction motor  
 Frame 90L - IP54

13-SEP-2016

