



Dealers Industrial Equipment

No.:

Date: 13-SEP-2016

Customer :

TECHNICAL PROPOSAL

Single-phase induction motor - Squirrel cage rotor

Product line : Close Coupled Pump : Single-Phase - "JP" Type - TEFC - Standard Efficiency

Catalog Number : 00518ES1E184JP

List Price : \$1,430

Notes:

Downloaded from <http://dealerselectric.com>

Generated for Model #00518ES1E184JP

Performed by:

Checked:



Dealers Industrial Equipment

No.:

Date: 13-SEP-2016

DATA SHEET Single-phase induction motor - Squirrel cage rotor

Customer :
Product line : Close Coupled Pump : Single-Phase - "JP" Type - TEFC - Standard Efficiency

Frame : 184JP
Output : 5 HP
Frequency : 60 Hz
Poles : 4
Full load speed : 1730 rpm
Slip : 3.89 %
Voltage : 208-230/460 V
Rated current : 22.5-21.4/10.7 A
Locked rotor current : 171/85.6 A
Locked rotor current (I_L/I_n) : 8.0
No-load current : 9.00/4.50 A
Full load torque : 15.0 lb.ft
Locked rotor torque : 280 %
Breakdown torque : 240 %
Design : ---
Insulation class : F
Temperature rise : 80 K
Locked rotor time : 6 s (hot)
Service factor : 1.15
Duty cycle : S1
Ambient temperature : -20°C - +40°C
Altitude : 1000 m
Degree of Protection : IP55
Approximate weight : 112 lb
Moment of inertia : 0.43426 sq.ft.lb
Noise level : ---

	D.E.	N.D.E.
Bearings	6307 ZZ	6206 ZZ
Regreasing interval	---	---
Grease amount	---	---

Load	Power factor	Efficiency (%)
100%	0.95	79.0
75%	0.92	78.0
50%	0.86	72.0

Notes:
Downloaded from <http://dealerselectric.com>
Generated for Model #00518ES1E184JP

Performed by

Checked



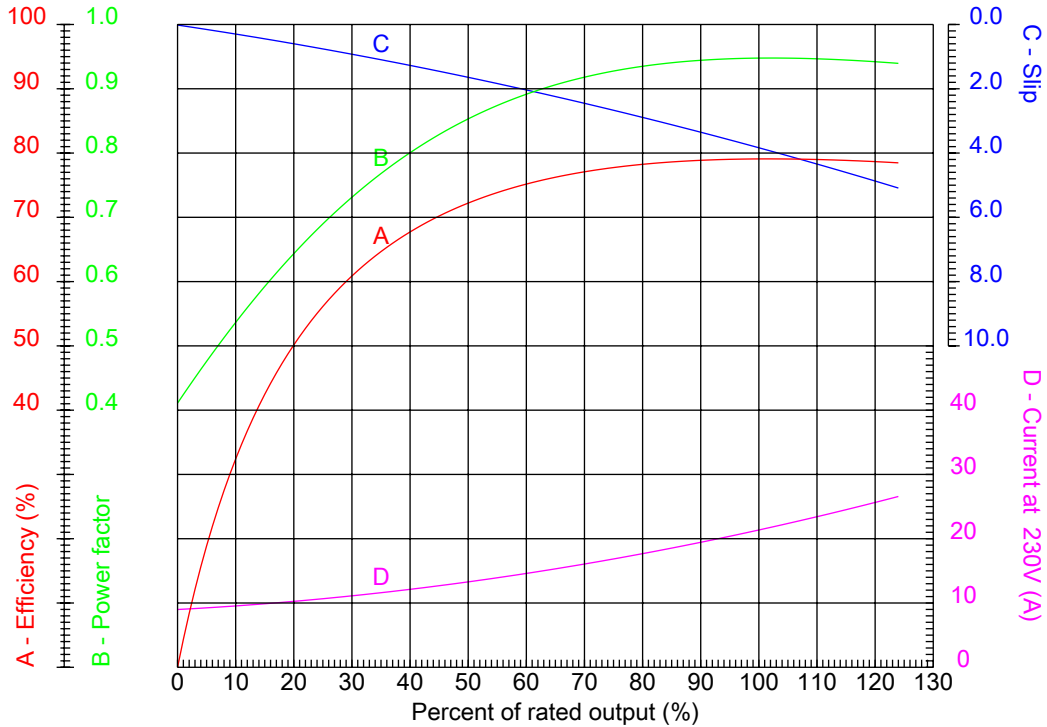
Dealers Industrial Equipment

No.:

Date: 13-SEP-2016

PERFORMANCE CURVES RELATED TO RATED OUTPUT

Single-phase induction motor - Squirrel cage rotor



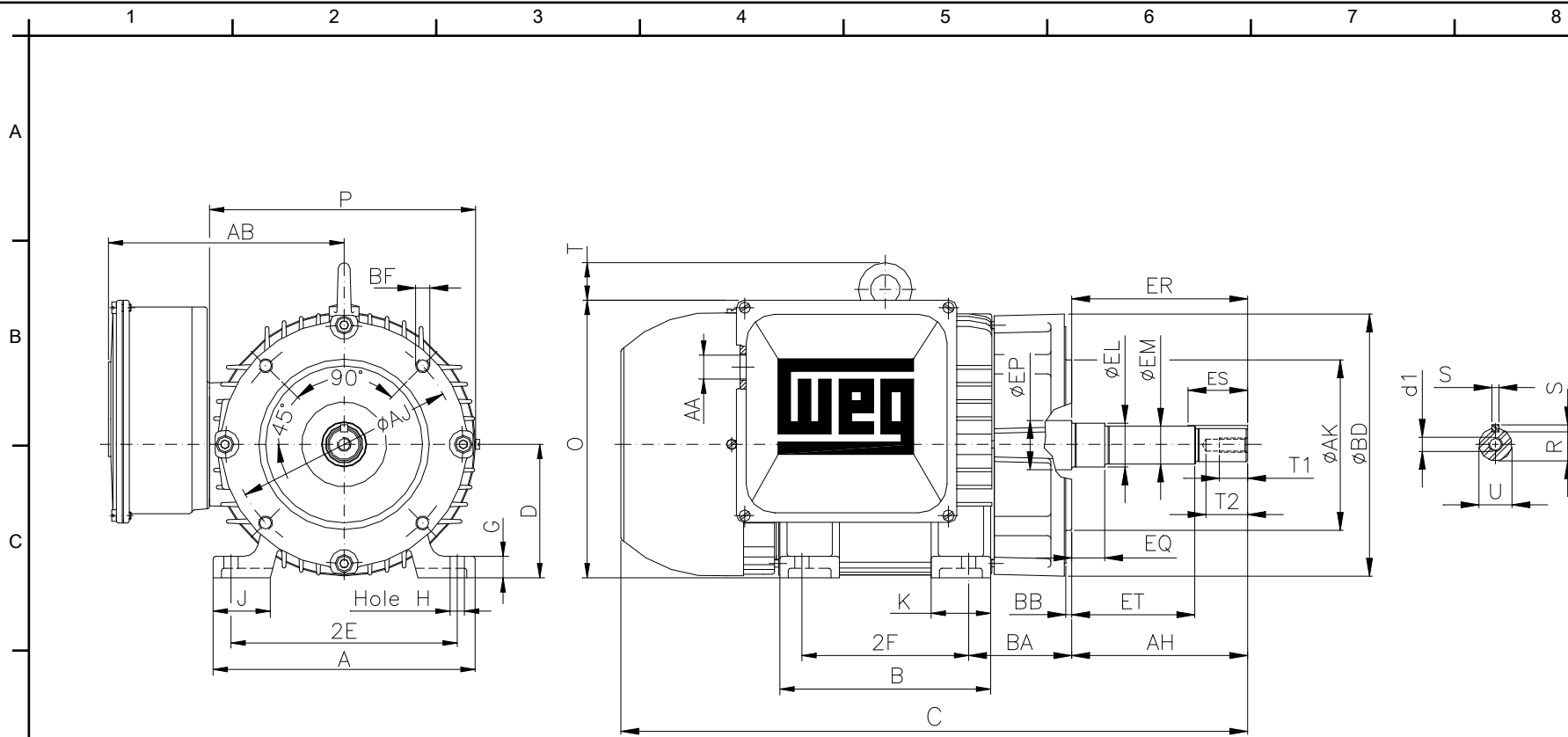
Customer :
 Product line : Close Coupled Pump : Single-Phase - "JP" Type - TEFC - Standard Efficiency

Frame	: 184JP	Locked rotor current (I _l /I _n)	: 8.0
Output	: 5 HP	Duty cycle	: S1
Frequency	: 60 Hz	Service factor	: 1.15
Full load speed	: 1730 rpm	Design	: ---
Voltage	: 208-230/460 V	Locked rotor torque	: 280 %
Rated current	: 22.5-21.4/10.7 A	Breakdown torque	: 240 %
Insulation class	: F		

Notes:
 Downloaded from <http://dealerselectric.com>
 Generated for Model #00518ES1E184JP

Performed by

Checked



Notes: Downloaded from <http://dealerselectric.com>
 Generated for Model #00518ES1E184JP

2E	2F	H	BA	A
7.500	5.500	0.406	2.756	8.661
B	D	G	J	K
6.969	4.500	0.799	1.890	1.969
O	P	AB	AA	ER
9.343	8.740	7.835	NPT 1"	7.319
EQ	ET	U	EM	EL
1.563	5.941	0.874	1.000	1.250
EP	S	R	ES	d1
1.376	0.187	0.768	1.654	EUNC 3/8"-16
t1	t2	C	Flange	AJ
0.748	1.102	20.429	FC-149	5.874
AK	BD	BF	BB	AH
4.500	6.496	UNC 3/8"x16	0.157	7.319

Performed by:

Checked:

Customer:

Close Coupled Pump : Single-Phase - "JP" Type - TEFC - Standard Efficiency

Single-phase induction motor
 Frame 184JP - IP55

13-SEP-2016

