



Dealers Industrial Equipment

No.:

Date: 13-SEP-2016

Customer :

TECHNICAL PROPOSAL

Single-phase induction motor - Squirrel cage rotor

Product line : Farm Duty Motors : TEFC (IP55) - Single-Phase

Catalog Number : 00518ES1DFD215T

List Price : \$1,205

Notes:

Downloaded from <http://dealerselectric.com>

Generated for Model #00518ES1DFD215T

Performed by:

Checked:



Dealers Industrial Equipment

No.:

Date: 13-SEP-2016

DATA SHEET Single-phase induction motor - Squirrel cage rotor

Customer :
 Product line : Farm Duty Motors : TEFC (IP55) - Single-Phase

Frame : W213/5T
 Output : 5 HP
 Frequency : 60 Hz
 Poles : 4
 Full load speed : 1730 rpm
 Slip : 3.89 %
 Voltage : 230 V
 Rated current : 21.4 A
 Locked rotor current : 171 A
 Locked rotor current (I_L/I_n) : 8.0
 No-load current : 9.20 A
 Full load torque : 15.0 lb.ft
 Locked rotor torque : 370 %
 Breakdown torque : 270 %
 Design : ---
 Insulation class : F
 Temperature rise : 80 K
 Locked rotor time : 6 s (hot)
 Service factor : 1.15
 Duty cycle : S1
 Ambient temperature : -20°C - +40°C
 Altitude : 1000 m
 Degree of Protection : IP55
 Approximate weight : 126 lb
 Moment of inertia : 0.43426 sq.ft.lb
 Noise level : ---

	D.E.	N.D.E.
Bearings	6308 ZZ	6206 ZZ
Regreasing interval	---	---
Grease amount	---	---

Load	Power factor	Efficiency (%)
100%	0.95	79.0
75%	0.92	78.0
50%	0.86	72.0

Notes:
 Downloaded from <http://dealerselectric.com>
 Generated for Model #00518ES1DFD215T

Performed by

Checked



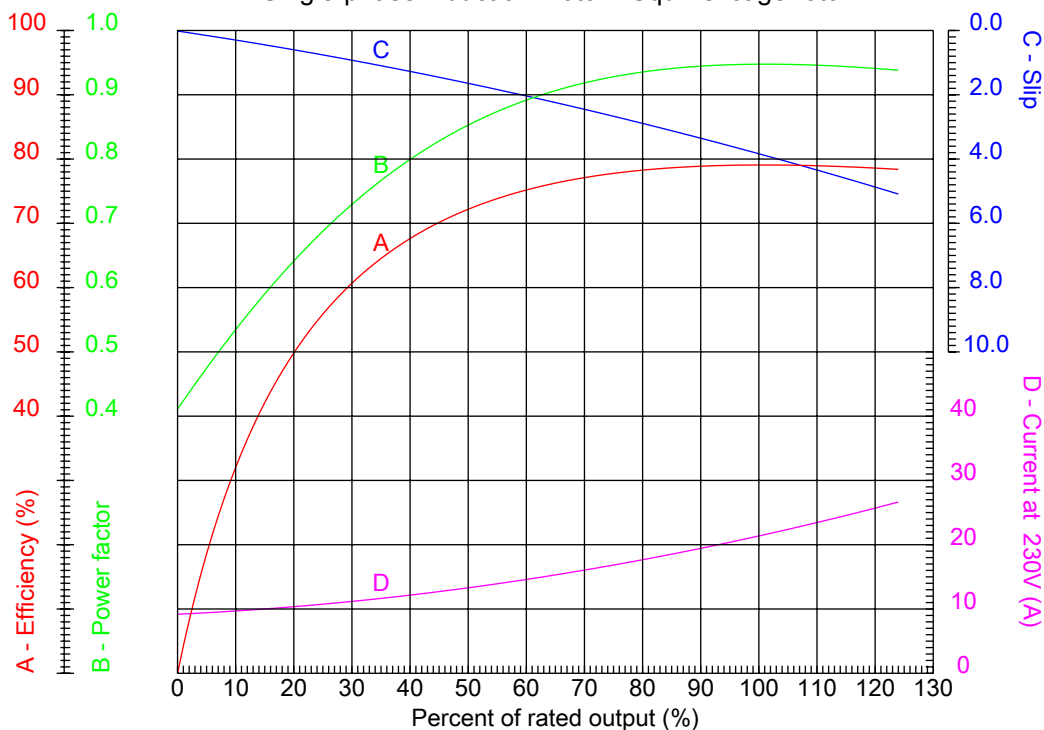
Dealers Industrial Equipment

No.:

Date: 13-SEP-2016

PERFORMANCE CURVES RELATED TO RATED OUTPUT

Single-phase induction motor - Squirrel cage rotor



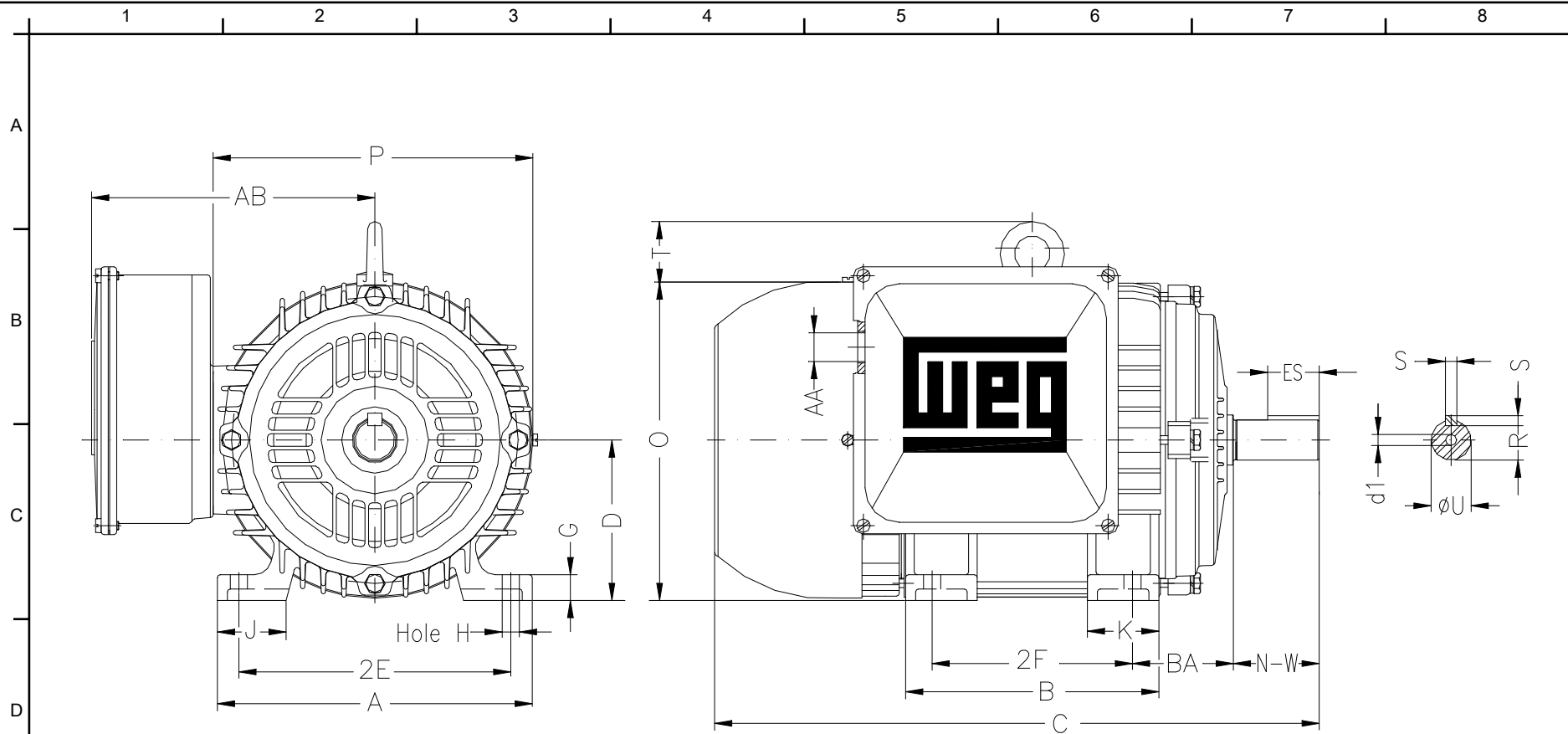
Customer :
 Product line : Farm Duty Motors : TEFC (IP55) - Single-Phase

Frame	: W213/5T	Locked rotor current (I _l /I _n)	: 8.0
Output	: 5 HP	Duty cycle	: S1
Frequency	: 60 Hz	Service factor	: 1.15
Full load speed	: 1730 rpm	Design	: ---
Voltage	: 230 V	Locked rotor torque	: 370 %
Rated current	: 21.4 A	Breakdown torque	: 270 %
Insulation class	: F		

Notes:
 Downloaded from <http://dealerselectric.com>
 Generated for Model #00518ES1DFD215T

Performed by

Checked



Notes: Downloaded from <http://dealerselectric.com>
 Generated for Model #00518ES1DFD215T

Performed by:

Checked:

Customer:

Farm Duty Motors : TEFC (IP55) - Single-Phase

Single-phase induction motor
 Frame W213/5T - IP55

13-SEP-2016



2E 8.500	2F 5.500/7.000	H 0.406	BA 3.500	A 9.765
B 8.875	C 19.882	D 5.250	G 0.830	J 2.000
K 3.343	O 9.610	P 8.820	ES 2.480	S 0.313
N-W 3.375	U 1.375	R 1.203	AB 7.953	AA NPT 1"
d1 A4				