



Dealers Industrial Equipment

No.:

Date: 13-SEP-2016

Customer :

TECHNICAL PROPOSAL

Three-phase induction motor - Squirrel cage rotor

Product line : W22 Super Premium

Catalog Number : 00518EG3EL184T-W22

List Price : \$849

Notes:

Downloaded from <http://dealerselectric.com>

Generated for Model #00518EG3EL184T-W22

Performed by:

Checked:



Dealers Industrial Equipment

No.:

Date: 13-SEP-2016

DATA SHEET Three-phase induction motor - Squirrel cage rotor

Customer :
Product line : W22 Super Premium

Frame : L182/4T
Output : 5 HP
Frequency : 60 Hz
Poles : 4
Full load speed : 1755 rpm
Slip : 2.50 %
Voltage : 208-230/460 V
Rated current : 12.8/6.38 A
Locked rotor current : 95.7/47.8 A
Locked rotor current (I_L/I_n) : 7.5
No-load current : 7.26/3.63 A
Full load torque : 14.8 lb.ft
Locked rotor torque : 230 %
Breakdown torque : 310 %
Design : A
Insulation class : F
Temperature rise : 80 K
Locked rotor time : 20 s (hot)
Service factor : 1.25 (1.00 at 208V)
Duty cycle : S1
Ambient temperature : -20°C - +40°C
Altitude : 1000 m
Degree of Protection : IP55
Approximate weight : 101 lb
Moment of inertia : 0.48765 sq.ft.lb
Noise level : 56 dB(A)

	D.E.	N.D.E.
Bearings	6207 ZZ	6206 ZZ
Regreasing interval	---	---
Grease amount	---	---

Load	Power factor	Efficiency (%)
100%	0.80	91.0
75%	0.73	90.2
50%	0.61	88.5

Notes:
Downloaded from <http://dealerselectric.com>
Generated for Model #00518EG3EL184T-W22

Performed by

Checked



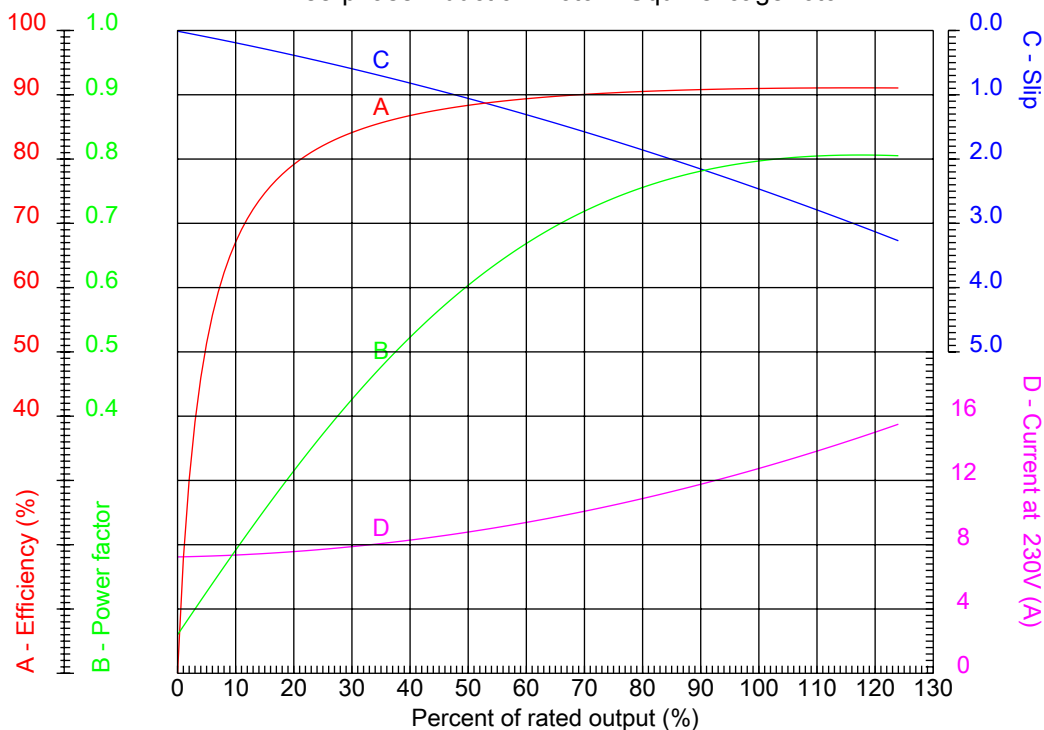
Dealers Industrial Equipment

No.:

Date: 13-SEP-2016

PERFORMANCE CURVES RELATED TO RATED OUTPUT

Three-phase induction motor - Squirrel cage rotor



Customer :
 Product line : W22 Super Premium

Frame : L182/4T	Locked rotor current (I _l /I _n) : 7.5
Output : 5 HP	Duty cycle : S1
Frequency : 60 Hz	Service factor : 1.25 (1.00 at 208V)
Full load speed : 1755 rpm	Design : A
Voltage : 208-230/460 V	Locked rotor torque : 230 %
Rated current : 12.8/6.38 A	Breakdown torque : 310 %
Insulation class : F	

Notes:
 Downloaded from <http://dealerselectric.com>
 Generated for Model #00518EG3EL184T-W22

Performed by

Checked



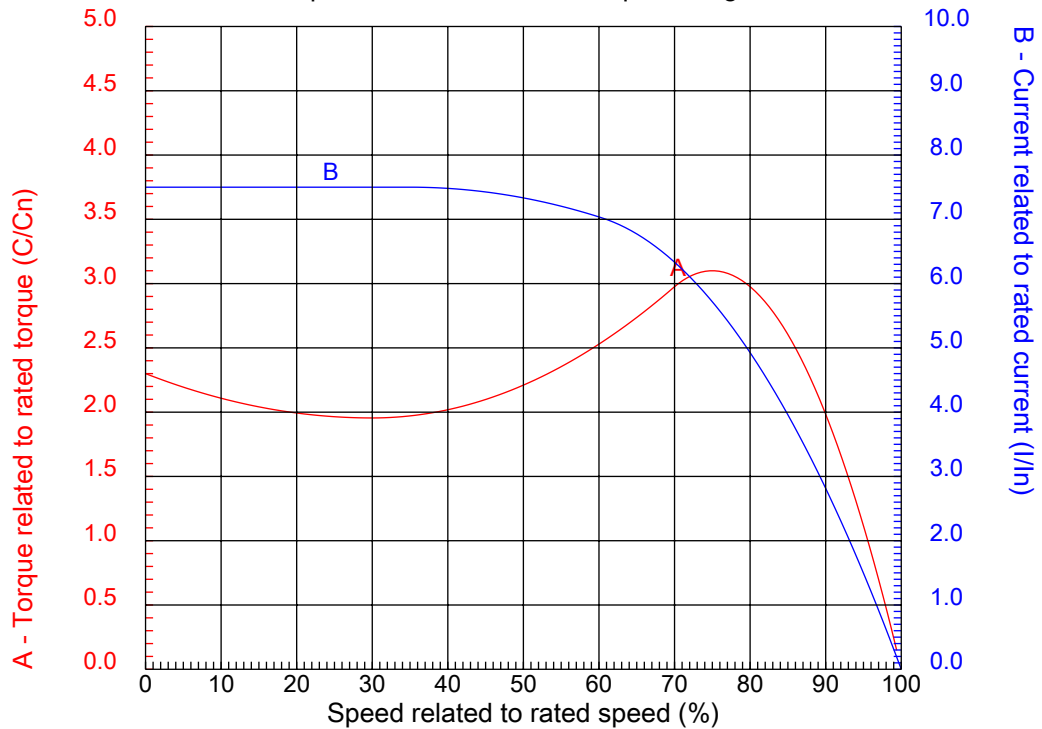
Dealers Industrial Equipment

No.:

Date: 13-SEP-2016

CHARACTERISTIC CURVES RELATED TO SPEED

Three-phase induction motor - Squirrel cage rotor



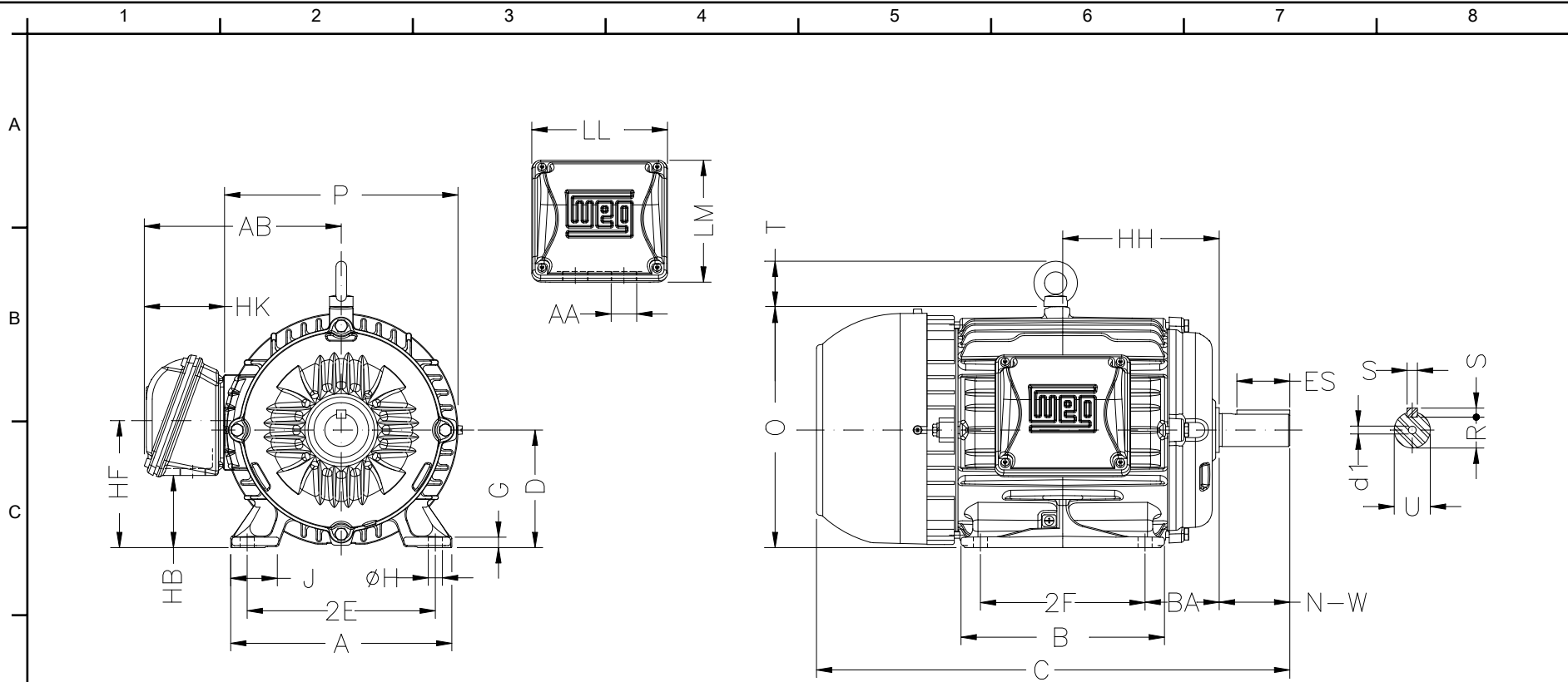
Customer :
Product line : W22 Super Premium

Frame	: L182/4T	Locked rotor current (I _l /I _n)	: 7.5
Output	: 5 HP	Duty cycle	: S1
Frequency	: 60 Hz	Service factor	: 1.25 (1.00 at 208V)
Full load speed	: 1755 rpm	Design	: A
Voltage	: 208-230/460 V	Locked rotor torque	: 230 %
Rated current	: 12.8/6.38 A	Breakdown torque	: 310 %
Insulation class	: F		

Notes:
Downloaded from <http://dealerselectric.com>
Generated for Model #00518EG3EL184T-W22

Performed by

Checked



Notes: Downloaded from <http://dealerselectric.com>
 Generated for Model #00518EG3EL184T-W22

Performed by:

Checked:

Customer:

W22 Super Premium

Three-phase induction motor

Frame L182/4T - IP55

13-SEP-2016



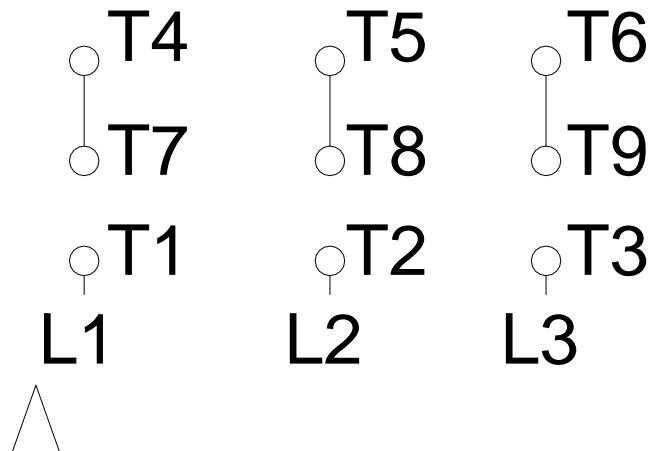
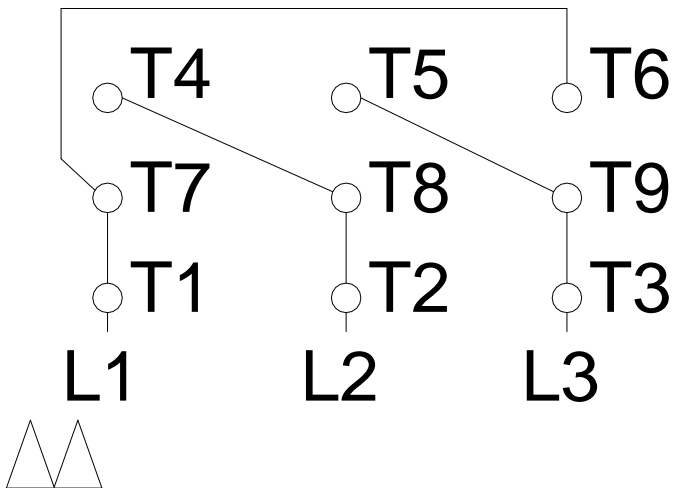
2E	J	A	P	AB
7.500	1.614	8.661	8.937	7.565
2F	B	BA	FBA	U
4.500/5.500	6.969	2.750	5.057	1.125
N-W	ES	S	R	depth
2.750	1.969	0.250	0.984	0.250
D	G	HB	O	T
4.500	0.394	2.236	9.343	1.772
HF	HH	HK	H	LL
4.500	5.500	3.150	0.410	5.512
LM	AA	d1		
5.236	NPT 1"	A 4		

1 2 3 4 5 6 7 8

LOW VOLTAGE

HIGH VOLTAGE

A
B
C
D
E
F



Notes: Downloaded from <http://dealerselectric.com>
Generated for Model #00518EG3EL184T-W22

Performed by:

Checked:

Customer:

W22 Super Premium

Three-phase induction motor
Frame L182/4T - IP55

13-SEP-2016

