



Dealers Industrial Equipment

No.:

Date: 13-SEP-2016

Customer :

TECHNICAL PROPOSAL

Three-phase induction motor - Squirrel cage rotor

Product line : Three-Phase : Explosion Proof - NEMA Premium

Catalog Number : 00512XT3H215T

List Price : \$1,899

Notes:

Downloaded from <http://dealerselectric.com>

Generated for Model #00512XT3H215T

Performed by:

Checked:



# Dealers Industrial Equipment

No.:

Date: 13-SEP-2016

## DATA SHEET Three-phase induction motor - Squirrel cage rotor

Customer :  
 Product line : Three-Phase : Explosion Proof - NEMA Premium

Frame : 215T  
 Output : 5 HP  
 Frequency : 60 Hz  
 Poles : 6  
 Full load speed : 1170 rpm  
 Slip : 2.50 %  
 Voltage : 575 V  
 Rated current : 5.46 A  
 Locked rotor current : 37.2 A  
 Locked rotor current (I<sub>L</sub>/I<sub>n</sub>) : 6.8  
 No-load current : 2.76 A  
 Full load torque : 22.1 lb.ft  
 Locked rotor torque : 170 %  
 Breakdown torque : 260 %  
 Design : B  
 Insulation class : F  
 Temperature rise : 80 K  
 Locked rotor time : 57 s (hot)  
 Service factor : 1.15  
 Duty cycle : S1  
 Ambient temperature : -20°C - +40°C  
 Altitude : 1000 m  
 Degree of Protection : IP55  
 Approximate weight : 162 lb  
 Moment of inertia : 1.4717 sq.ft.lb  
 Noise level : 55 dB(A)

	D.E.	N.D.E.
Bearings	6308 2RS	6207 2RS
Regreasing interval	---	---
Grease amount	---	---

Load	Power factor	Efficiency (%)
100%	0.76	89.5
75%	0.70	89.5
50%	0.58	88.5

Notes:  
 Downloaded from <http://dealerselectric.com>  
 Generated for Model #00512XT3H215T

Performed by

Checked



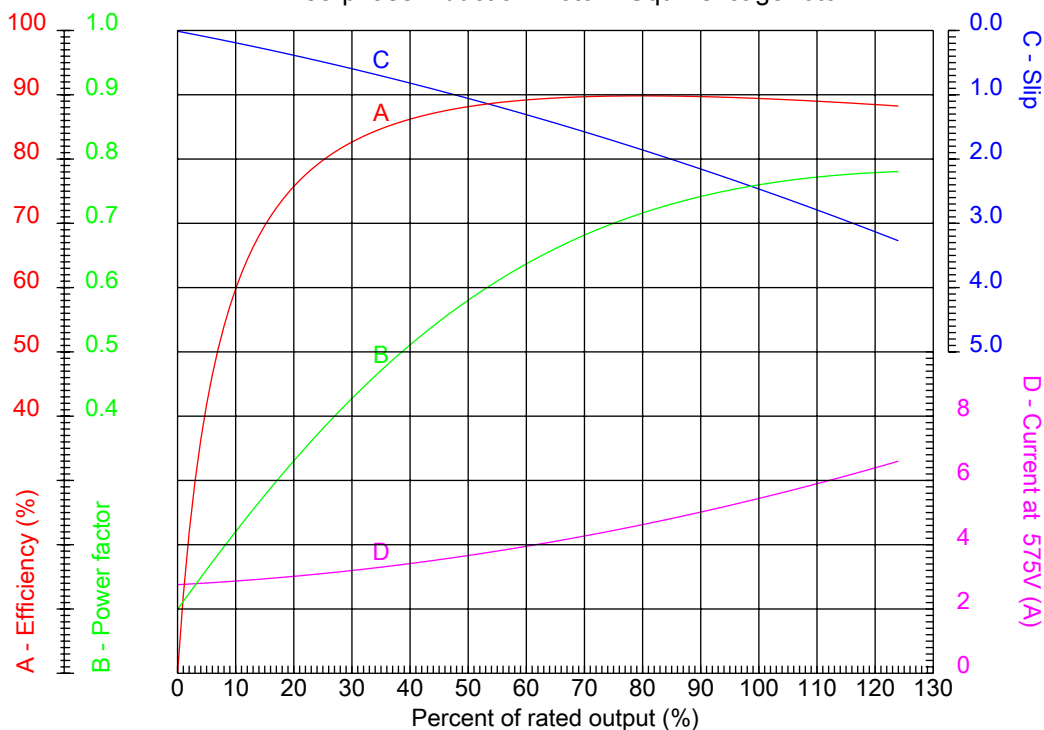
# Dealers Industrial Equipment

No.:

Date: 13-SEP-2016

## PERFORMANCE CURVES RELATED TO RATED OUTPUT

Three-phase induction motor - Squirrel cage rotor



Customer :  
 Product line : Three-Phase : Explosion Proof - NEMA Premium

Frame	: 215T	Locked rotor current (I <sub>L</sub> /I <sub>n</sub> )	: 6.8
Output	: 5 HP	Duty cycle	: S1
Frequency	: 60 Hz	Service factor	: 1.15
Full load speed	: 1170 rpm	Design	: B
Voltage	: 575 V	Locked rotor torque	: 170 %
Rated current	: 5.46 A	Breakdown torque	: 260 %
Insulation class	: F		

Notes:  
 Downloaded from <http://dealerselectric.com>  
 Generated for Model #00512XT3H215T

Performed by

Checked



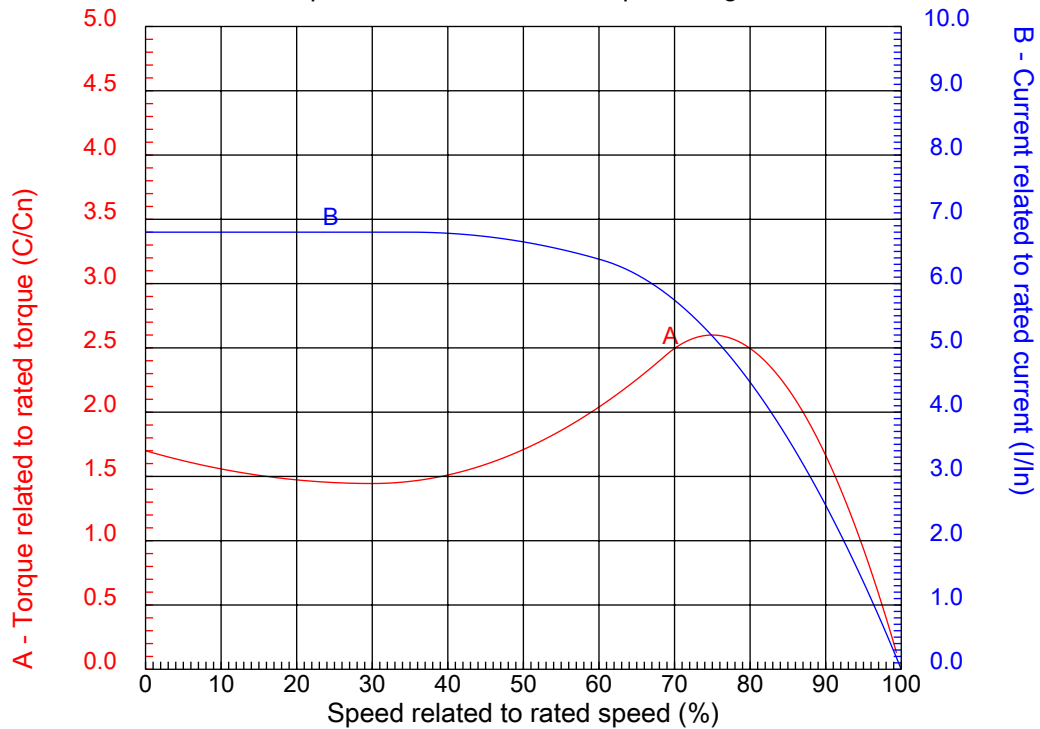
# Dealers Industrial Equipment

No.:

Date: 13-SEP-2016

## CHARACTERISTIC CURVES RELATED TO SPEED

Three-phase induction motor - Squirrel cage rotor



Customer :  
Product line : Three-Phase : Explosion Proof - NEMA Premium

Frame	: 215T	Locked rotor current (I <sub>l</sub> /I <sub>n</sub> )	: 6.8
Output	: 5 HP	Duty cycle	: S1
Frequency	: 60 Hz	Service factor	: 1.15
Full load speed	: 1170 rpm	Design	: B
Voltage	: 575 V	Locked rotor torque	: 170 %
Rated current	: 5.46 A	Breakdown torque	: 260 %
Insulation class	: F		

Notes:  
Downloaded from <http://dealerselectric.com>  
Generated for Model #00512XT3H215T

Performed by

Checked

1 2 3 4 5 6 7 8

A

B

C

D

E

F



Notes: Downloaded from <http://dealerselectric.com>  
Generated for Model #00512XT3H215T

Performed by:

Checked:

Customer:

Three-Phase : Explosion Proof - NEMA Premium

Three-phase induction motor  
Frame 215T - IP55

13-SEP-2016



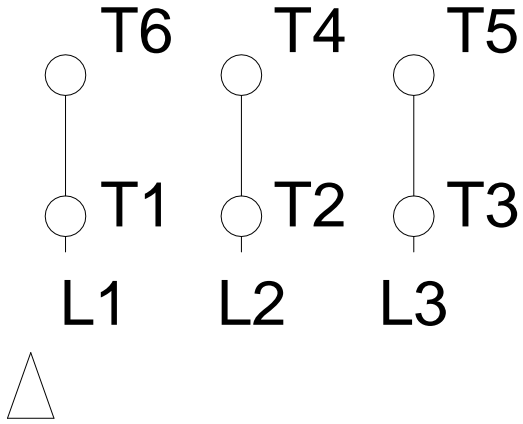
2E 8.500	A 9.764	2F 7.000	B 8.898	BA 3.500
J 2.008	K 2.165	P 10.709	ES 2.480	depth 0.313
S 0.313	N-W 3.375	U 1.375	R 1.203	AB 9.252
D 5.250	G 0.827	O 11.156	T 1.772	H 0.406
C 19.450	AA NPT 1"	d1 A 4	d2 A 4	

1 2 3 4 5 6 7 8

A  
B  
C  
D  
E  
F

### RUN

### ONLY FOR START



Notes: Downloaded from <a href="http://dealerselectric.com">http://dealerselectric.com</a> Generated for Model #00512XT3H215T		
Performed by:		
Checked:		
Customer:		
Three-Phase : Explosion Proof - NEMA Premium		
Three-phase induction motor Frame 215T - IP55	13-SEP-2016	