



Dealers Industrial Equipment

No.:

Date: 13-SEP-2016

Customer :

TECHNICAL PROPOSAL

Single-phase induction motor - Squirrel cage rotor

Product line : Single-Phase : W21 TEFC (IP55)

Catalog Number : 00512ES1E215T

List Price : \$1,588

Notes:

Downloaded from <http://dealerselectric.com>

Generated for Model #00512ES1E215T

Performed by:

Checked:



Dealers Industrial Equipment

No.:

Date: 13-SEP-2016

DATA SHEET Single-phase induction motor - Squirrel cage rotor

Customer :
Product line : Single-Phase : W21 TEFC (IP55)

Frame : 215T
Output : 5 HP
Frequency : 60 Hz
Poles : 6
Full load speed : 1170 rpm
Slip : 2.50 %
Voltage : 208-230/460 V
Rated current : 21.5/10.8 A
Locked rotor current : 170/85.0 A
Locked rotor current (I_L/I_n) : 7.9
No-load current : 8.60/4.30 A
Full load torque : 22.1 lb.ft
Locked rotor torque : 230 %
Breakdown torque : 240 %
Design : ---
Insulation class : F
Temperature rise : 80 K
Locked rotor time : 6 s (hot)
Service factor : 1.15
Duty cycle : S1
Ambient temperature : -20°C - +40°C
Altitude : 1000 m
Degree of Protection : IP55
Approximate weight : 171 lb
Moment of inertia : 1.9838 sq.ft.lb
Noise level : ---

	D.E.	N.D.E.	Load	Power factor	Efficiency (%)
Bearings	6308 ZZ	6206 ZZ	100%	0.88	82.5
Regreasing interval	---	---	75%	0.86	81.0
Grease amount	---	---	50%	0.80	76.5

Notes:
Downloaded from <http://dealerselectric.com>
Generated for Model #00512ES1E215T

Performed by

Checked



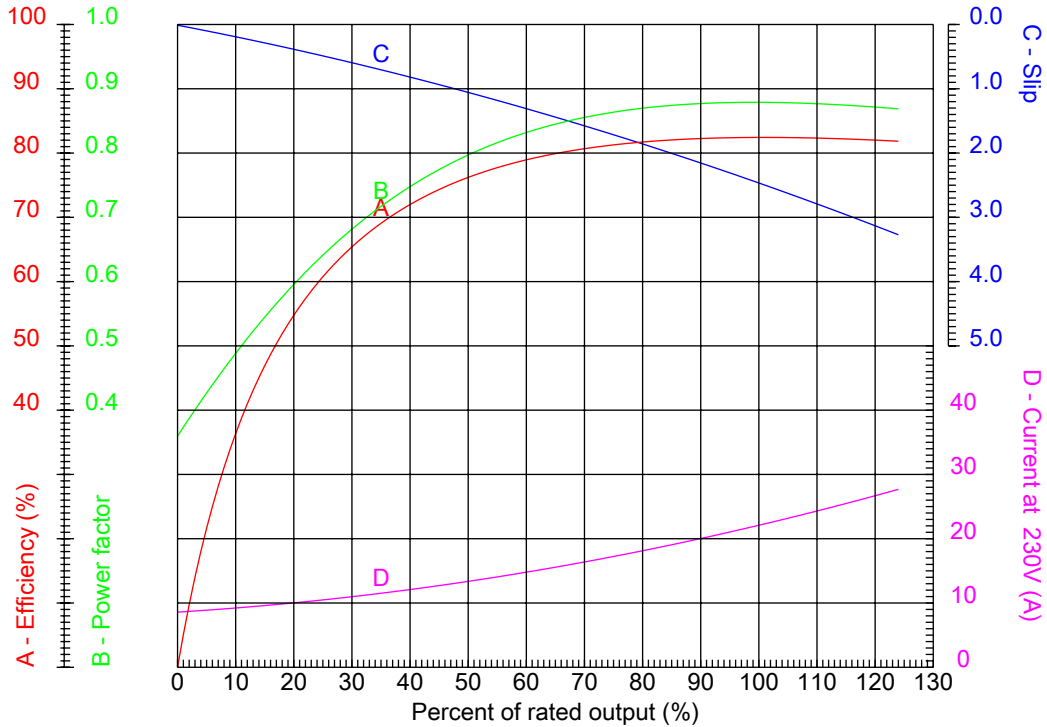
Dealers Industrial Equipment

No.:

Date: 13-SEP-2016

PERFORMANCE CURVES RELATED TO RATED OUTPUT

Single-phase induction motor - Squirrel cage rotor



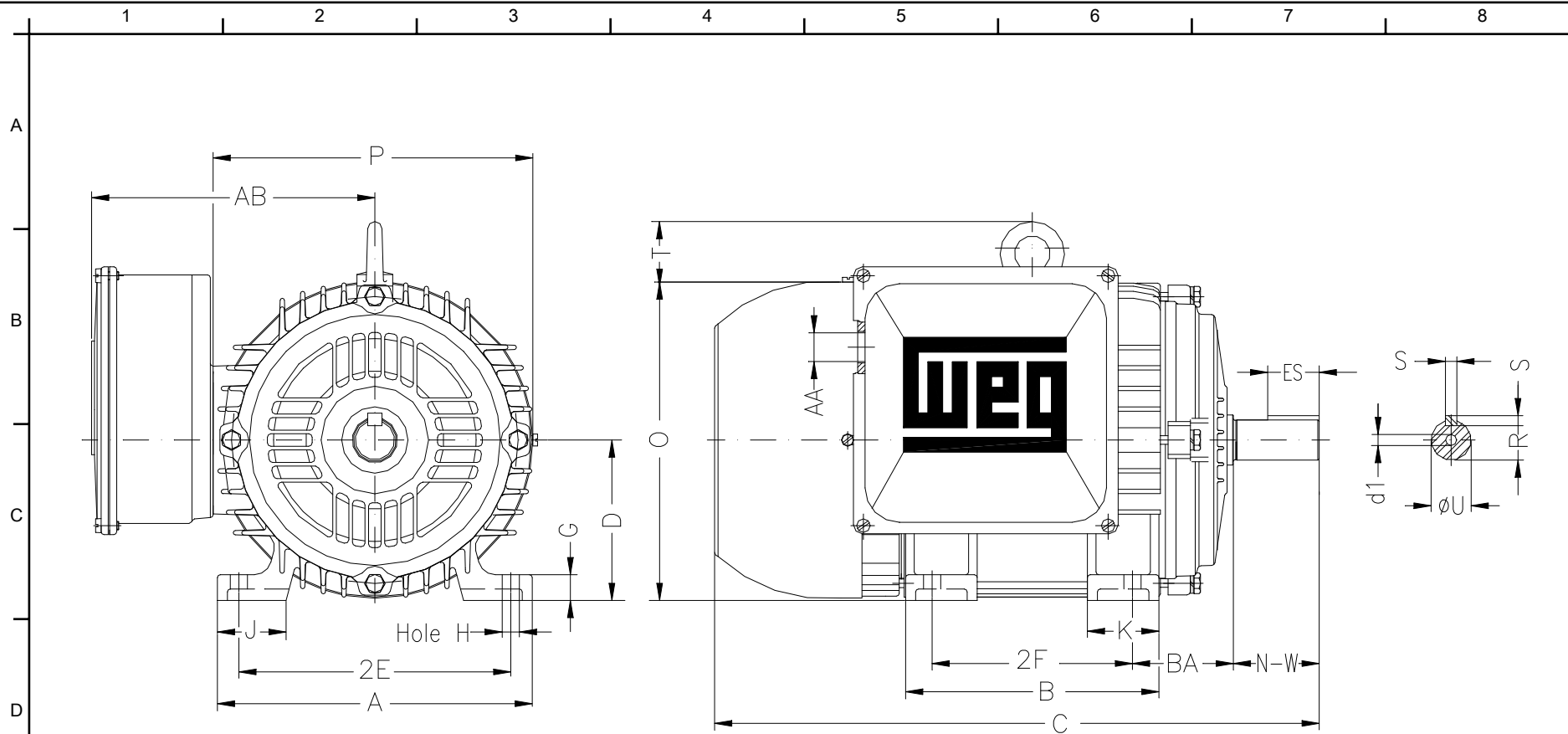
Customer :
 Product line : Single-Phase : W21 TEFC (IP55)

Frame	: 215T	Locked rotor current (I _L /I _n)	: 7.9
Output	: 5 HP	Duty cycle	: S1
Frequency	: 60 Hz	Service factor	: 1.15
Full load speed	: 1170 rpm	Design	: ---
Voltage	: 208-230/460 V	Locked rotor torque	: 230 %
Rated current	: 21.5/10.8 A	Breakdown torque	: 240 %
Insulation class	: F		

Notes:
 Downloaded from <http://dealerselectric.com>
 Generated for Model #00512ES1E215T

Performed by

Checked



Notes: Downloaded from <http://dealerselectric.com>
 Generated for Model #00512ES1E215T

Performed by:

Checked:

Customer:

Single-Phase : W21 TEFC (IP55)

Single-phase induction motor
 Frame 215T - IP55

13-SEP-2016



	2E 8.500	2F 7.000	H 0.406	BA 3.500	A 9.764
	B 8.858	C 19.567	D 5.250	G 0.827	J 2.008
F	K 2.165	O 10.841	P 10.630	ES 2.480	S 0.313
	N-W 3.375	U 1.375	R 1.203	AB 9.055	AA NPT 1"
	d1 A4				