



# Dealers Industrial Equipment

No.:

Date: 13-SEP-2016

Customer :

## TECHNICAL PROPOSAL

### Three-phase induction motor - Squirrel cage rotor

Product line : Oil Well Pumping : High Slip - NEMA Design "D" - TEFC (IP55)

Catalog Number : 00509ES3EOW256T

List Price : \$2,242

#### Notes:

Downloaded from <http://dealerselectric.com>

Generated for Model #00509ES3EOW256T

Performed by:

Checked:



# Dealers Industrial Equipment

No.:

Date: 13-SEP-2016

## DATA SHEET

### Three-phase induction motor - Squirrel cage rotor

Customer :  
 Product line : Oil Well Pumping : High Slip - NEMA Design "D" - TEFC (IP55)

Frame : 256T  
 Output : 5 HP  
 Frequency : 60 Hz  
 Poles : 8  
 Full load speed : 825 rpm  
 Slip : 8.33 %  
 Voltage : 208-230/460 V  
 Rated current : 16.0-14.5/7.25 A  
 Locked rotor current : 91.4/45.7 A  
 Locked rotor current (I<sub>L</sub>/I<sub>n</sub>) : 6.3  
 No-load current : 7.20/3.60 A  
 Full load torque : 31.4 lb.ft  
 Locked rotor torque : 300 %  
 Breakdown torque : 0 %  
 Design : D  
 Insulation class : F  
 Temperature rise : 80 K  
 Locked rotor time : 17 s (hot)  
 Service factor : 1.15  
 Duty cycle : S1  
 Ambient temperature : -20°C - +40°C  
 Altitude : 1000 m  
 Degree of Protection : IP55  
 Approximate weight : 266 lb  
 Moment of inertia : 3.4086 sq.ft.lb  
 Noise level : 54 dB(A)

	D.E.	N.D.E.	Load	Power factor	Efficiency (%)
Bearings	6309 C3	6209 C3	100%	0.83	77.0
Regreasing interval	20000 h	20000 h	75%	0.76	77.0
Grease amount	13 g	9 g	50%	0.64	75.5

Notes:  
 Downloaded from <http://dealerselectric.com>  
 Generated for Model #00509ES3EOW256T

Performed by

Checked



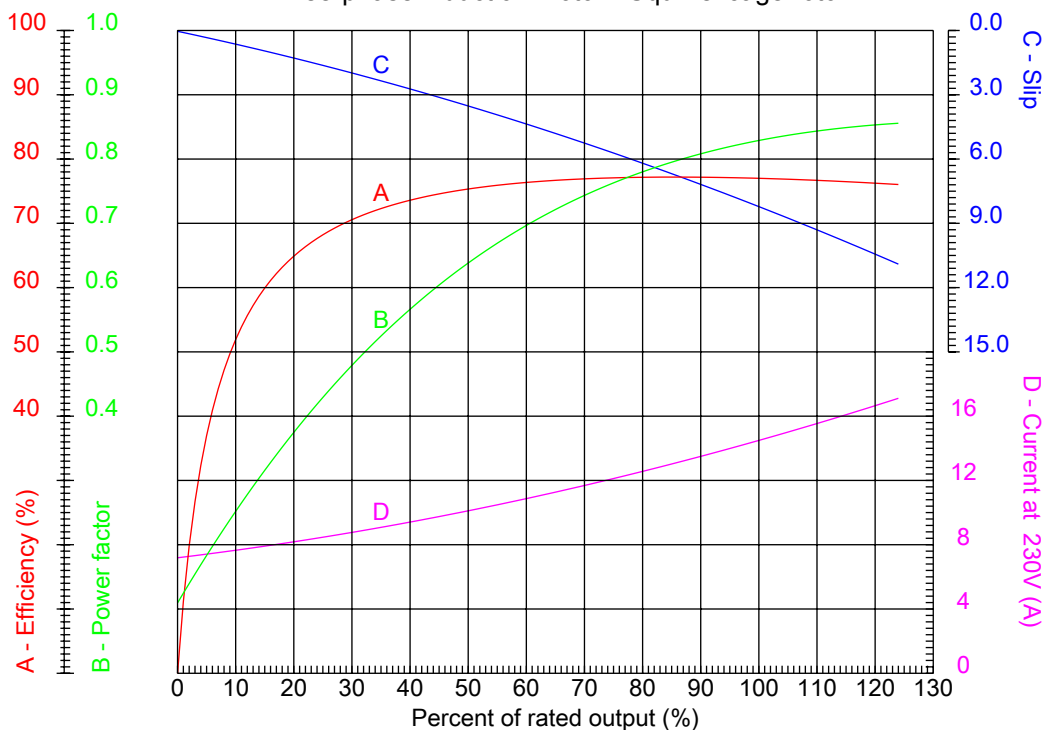
# Dealers Industrial Equipment

No.:

Date: 13-SEP-2016

## PERFORMANCE CURVES RELATED TO RATED OUTPUT

Three-phase induction motor - Squirrel cage rotor



Customer :  
 Product line : Oil Well Pumping : High Slip - NEMA Design "D" - TEFC (IP55)

Frame : 256T	Locked rotor current (I <sub>L</sub> /I <sub>n</sub> ) : 6.3
Output : 5 HP	Duty cycle : S1
Frequency : 60 Hz	Service factor : 1.15
Full load speed : 825 rpm	Design : D
Voltage : 208-230/460 V	Locked rotor torque : 300 %
Rated current : 16.0-14.5/7.25 A	Breakdown torque : 0 %
Insulation class : F	

Notes:  
 Downloaded from <http://dealerselectric.com>  
 Generated for Model #00509ES3EOW256T

Performed by

Checked



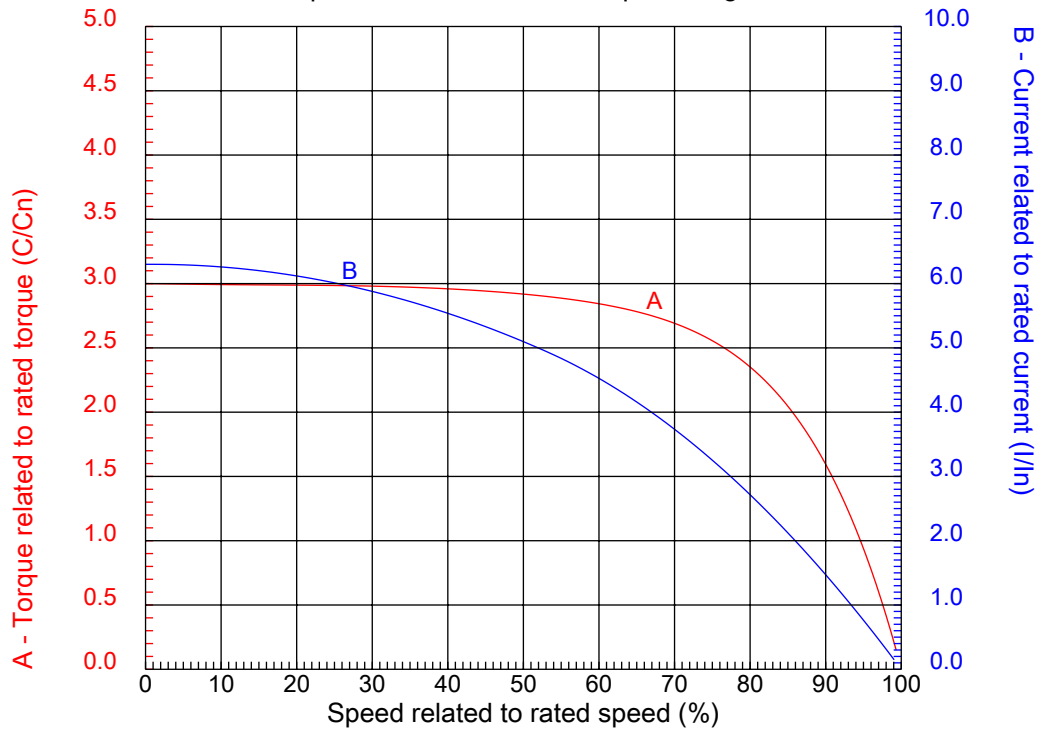
# Dealers Industrial Equipment

No.:

Date: 13-SEP-2016

## CHARACTERISTIC CURVES RELATED TO SPEED

Three-phase induction motor - Squirrel cage rotor



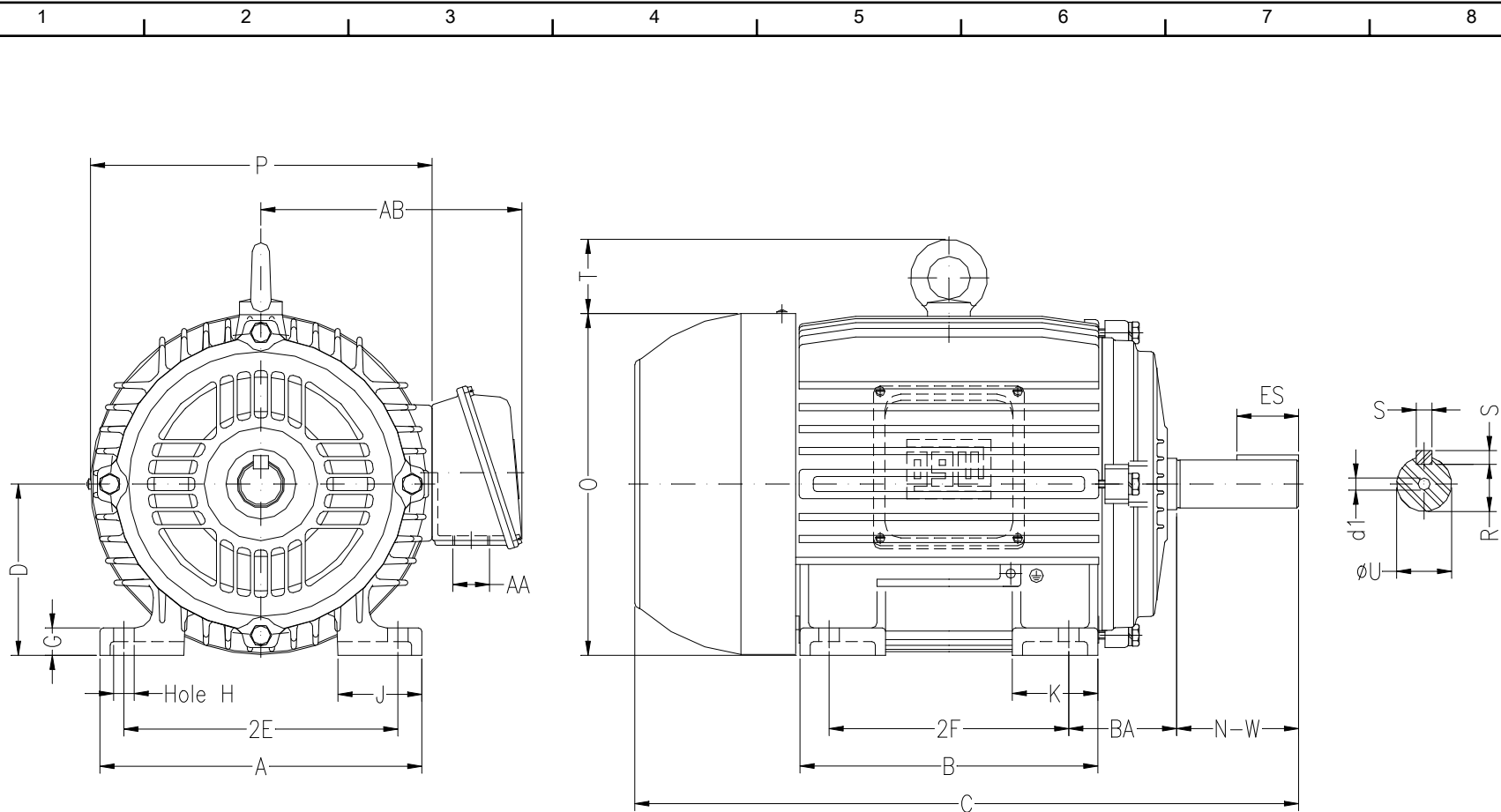
Customer :  
Product line : Oil Well Pumping : High Slip - NEMA Design "D" - TEFC (IP55)

Frame	: 256T	Locked rotor current (I <sub>l</sub> /I <sub>n</sub> )	: 6.3
Output	: 5 HP	Duty cycle	: S1
Frequency	: 60 Hz	Service factor	: 1.15
Full load speed	: 825 rpm	Design	: D
Voltage	: 208-230/460 V	Locked rotor torque	: 300 %
Rated current	: 16.0-14.5/7.25 A	Breakdown torque	: 255 %
Insulation class	: F		

Notes:  
Downloaded from <http://dealerselectric.com>  
Generated for Model #00509ES3EOW256T

Performed by

Checked



Notes: Downloaded from <http://dealerselectric.com>  
Generated for Model #00509ES3EOW256T

Performed by:

Checked:

Customer:

Oil Well Pumping : High Slip - NEMA Design "D" - TEFC (IP55)

Three-phase induction motor  
Frame 256T - IP55

13-SEP-2016



2E 10.000	A 12.126	2F 10.000	B 11.732	BA 4.250
J 2.520	K 2.559	P 12.283	ES 2.756	depth 0.375
S 0.375	N-W 4.000	U 1.625	R 1.416	AB 10.079
D 6.250	G 0.817	O 12.431	T 2.087	H 0.531
C 24.945	AA NPT 1 1/2"	d1 A 4	d2 A 4	

1 2 3 4 5 6 7 8

A  
B  
C  
D  
E  
F

LOW VOLTAGE

HIGH VOLTAGE



CONNECTIONS FOR STARTING ONLY:

LOW VOLTAGE

HIGH VOLTAGE



Notes: Downloaded from <http://dealerselectric.com>  
Generated for Model #00509ES3EOW256T

Performed by:

Checked:

Customer:

Oil Well Pumping : High Slip - NEMA Design "D" - TEFC (IP55)

Three-phase induction motor  
Frame 256T - IP55

13-SEP-2016

