



Dealers Industrial Equipment

No.:

Date: 13-SEP-2016

Customer :

TECHNICAL PROPOSAL

Three-phase induction motor - Squirrel cage rotor

Product line : Three-Phase: W21 IE3 IEC Tru-Metric - TEFC (IP55) Multi-Mounting Aluminum
Frame
Catalog Number : 00436ET3YAL112M
List Price : \$874

Notes:
Downloaded from <http://dealerselectric.com>
Generated for Model #00436ET3YAL112M

Performed by:

Checked:



Dealers Industrial Equipment

No.:

Date: 13-SEP-2016

DATA SHEET Three-phase induction motor - Squirrel cage rotor

Customer :
 Product line : Three-Phase: W21 IE3 IEC Tru-Metric - TEFC (IP55) Multi-Mounting Aluminum Frame

Frame : 112M
 Output : 5.5 HP
 Frequency : 60 Hz
 Poles : 2
 Full load speed : 3505 rpm
 Slip : 2.64 %
 Voltage : 460 V
 Rated current : 6.67 A
 Locked rotor current : 57.4 A
 Locked rotor current (I_L/I_n) : 8.6
 No-load current : 2.30 A
 Full load torque : 8.13 lb.ft
 Locked rotor torque : 310 %
 Breakdown torque : 440 %
 Design : ---
 Insulation class : F
 Temperature rise : 80 K
 Locked rotor time : 24 s (hot)
 Service factor : 1.25
 Duty cycle : S1
 Ambient temperature : -20°C - +40°C
 Altitude : 1000 m
 Degree of Protection : IP55
 Approximate weight : 79 lb
 Moment of inertia : 0.18984 sq.ft.lb
 Noise level : 64 dB(A)

	D.E.	N.D.E.	Load	Power factor	Efficiency (%)
Bearings	6307 ZZ	6206 ZZ	100%	0.85	88.5
Regreasing interval	---	---	75%	0.79	87.5
Grease amount	---	---	50%	0.67	85.5

Notes:
 Downloaded from <http://dealerselectric.com>
 Generated for Model #00436ET3YAL112M

Performed by

Checked



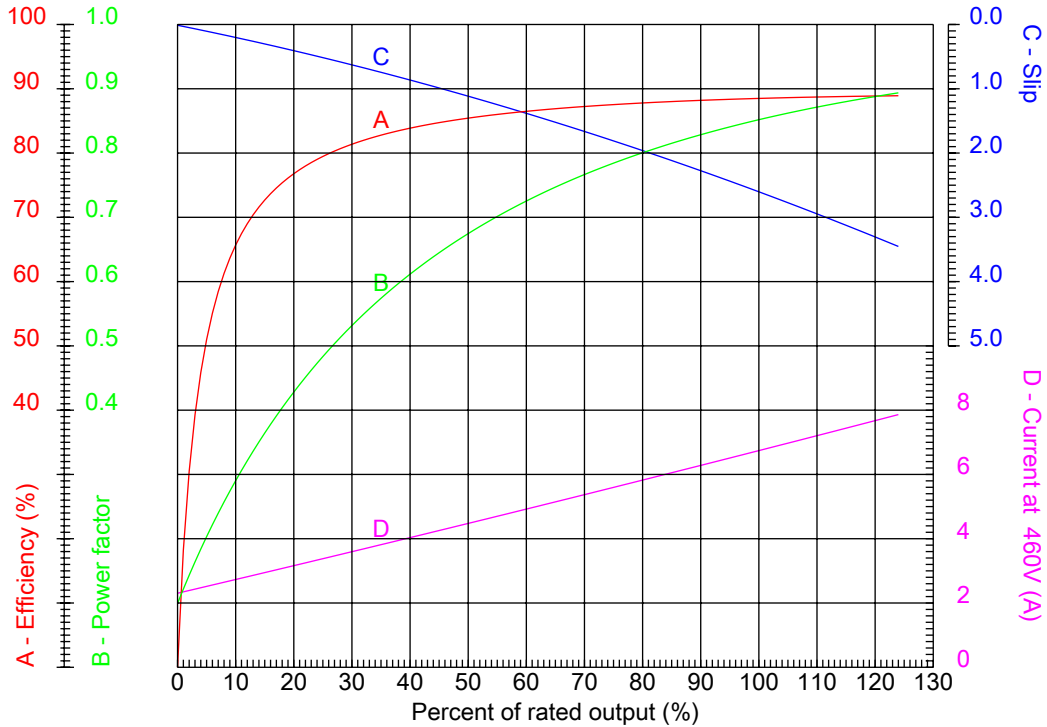
Dealers Industrial Equipment

No.:

Date: 13-SEP-2016

PERFORMANCE CURVES RELATED TO RATED OUTPUT

Three-phase induction motor - Squirrel cage rotor



Customer :
 Product line : Three-Phase: W21 IE3 IEC Tru-Metric - TEFC (IP55) Multi-Mounting Aluminum Frame

Frame : 112M	Locked rotor current (I _L /I _n) : 8.6
Output : 5.5 HP	Duty cycle : S1
Frequency : 60 Hz	Service factor : 1.25
Full load speed : 3505 rpm	Design : ---
Voltage : 460 V	Locked rotor torque : 310 %
Rated current : 6.67 A	Breakdown torque : 440 %
Insulation class : F	

Notes:
 Downloaded from <http://dealerselectric.com>
 Generated for Model #00436ET3YAL112M

Performed by

Checked



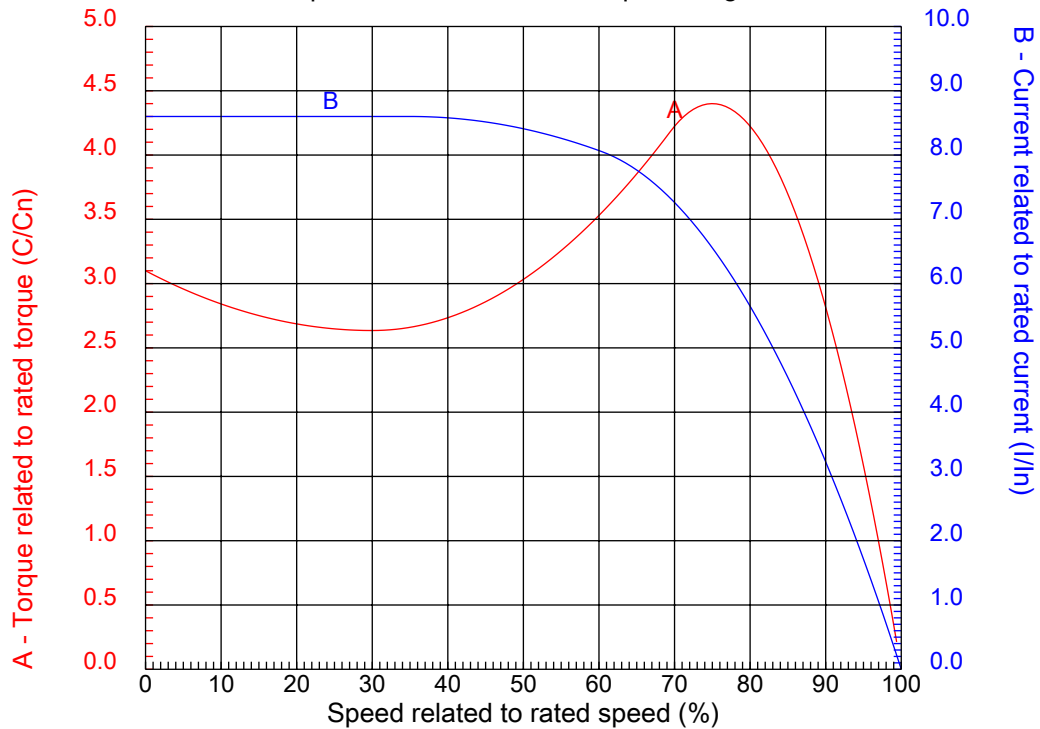
Dealers Industrial Equipment

No.:

Date: 13-SEP-2016

CHARACTERISTIC CURVES RELATED TO SPEED

Three-phase induction motor - Squirrel cage rotor



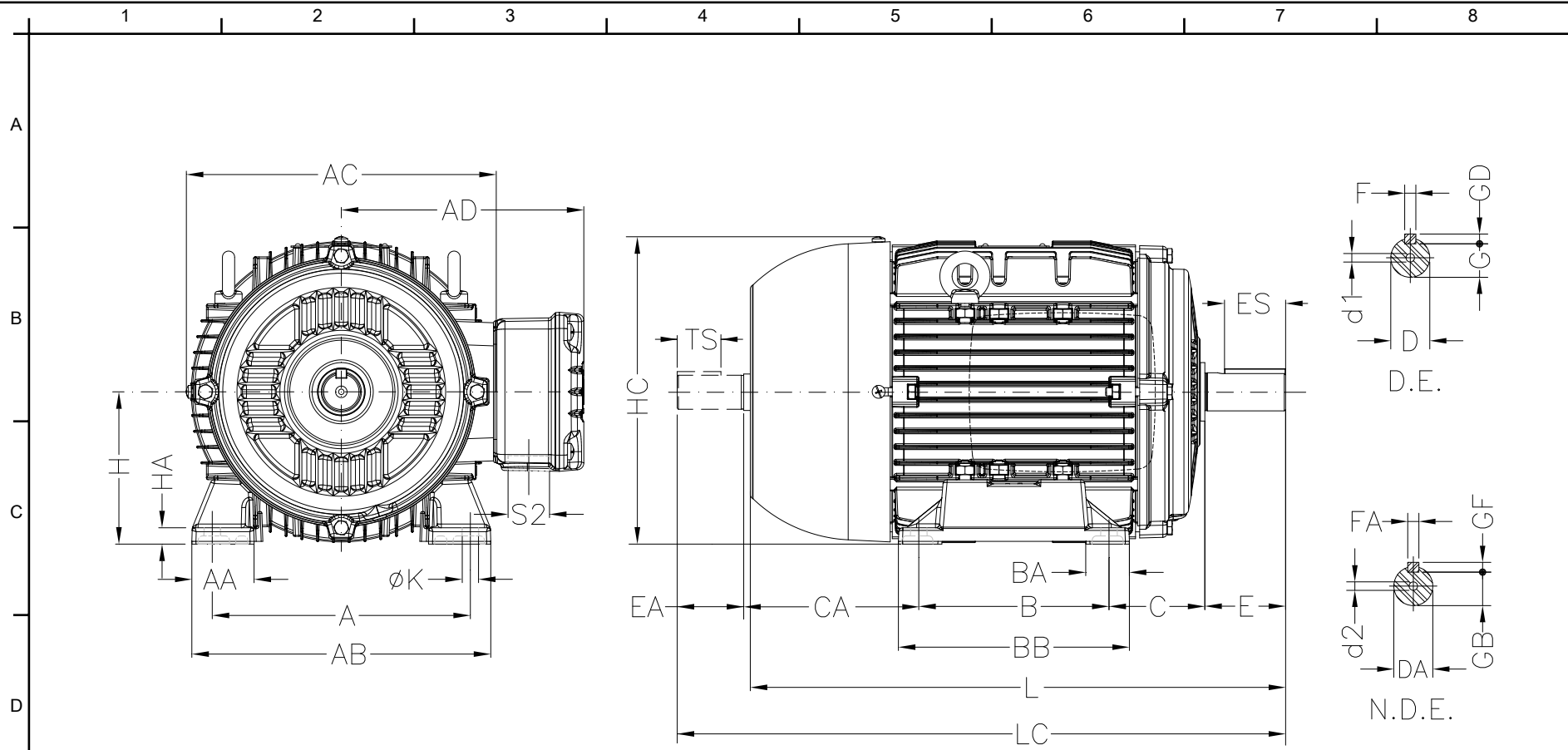
Customer :
Product line : Three-Phase: W21 IE3 IEC Tru-Metric - TEFC (IP55) Multi-Mounting Aluminum Frame

Frame	: 112M	Locked rotor current (I _L /I _n)	: 8.6
Output	: 5.5 HP	Duty cycle	: S1
Frequency	: 60 Hz	Service factor	: 1.25
Full load speed	: 3505 rpm	Design	: ---
Voltage	: 460 V	Locked rotor torque	: 310 %
Rated current	: 6.67 A	Breakdown torque	: 440 %
Insulation class	: F		

Notes:
Downloaded from <http://dealerselectric.com>
Generated for Model #00436ET3YAL112M

Performed by

Checked



Notes: Downloaded from <http://dealerselectric.com>
 Generated for Model #00436ET3YAL112M

A	AA	AB	AC	AD
190	46	220	223	185
B	BA	BB	C	CA
140	32	170	70	128
D	E	ES	F	G
28j6	60	45	8	24
GD	DA	EA	TS	FA
7	24j6	50	36	8
GB	GF	H	HA	HC
20	7	112	12	235
HD	K	L	LC	S2
312	12	393	448	2xM32x1,5
d1	d2			
DM10	DM8			

Performed by:	
Checked:	
Customer:	
Three-Phase: W21 IE3 IEC Tru-Metric - TEFC (IP55) Multi-Mounting Aluminum	
Three-phase induction motor Frame 112M - IP55	13-SEP-2016

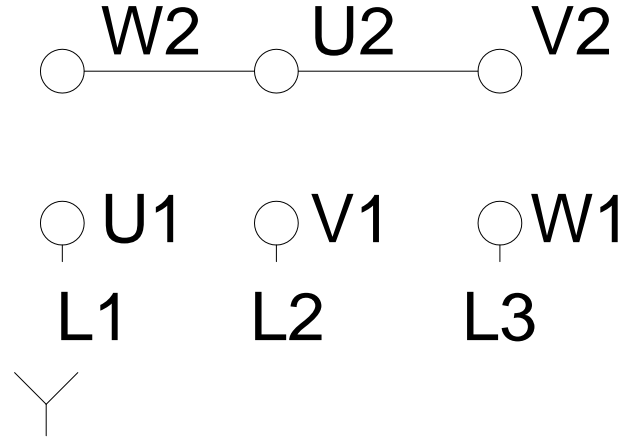
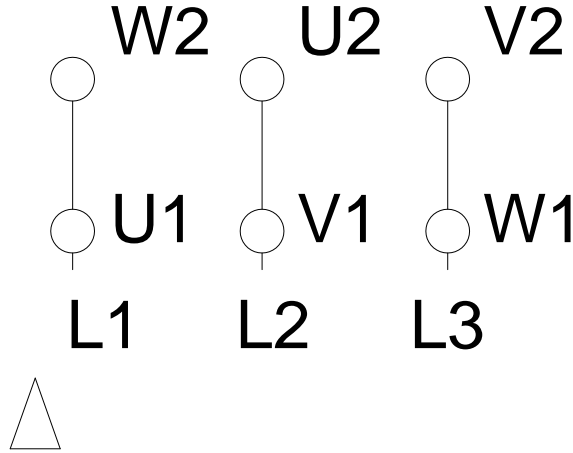


1 2 3 4 5 6 7 8

LOW VOLTAGE

HIGH VOLTAGE

A
B
C
D
E
F



Notes: Downloaded from <http://dealerselectric.com>
 Generated for Model #00436ET3YAL112M

Performed by:

Checked:

Customer:

Three-Phase: W21 IE3 IEC Tru-Metric - TEFC (IP55) Multi-Mounting Aluminum

Three-phase induction motor
 Frame 112M - IP55

13-SEP-2016

