



Dealers Industrial Equipment

No.:

Date: 13-SEP-2016

Customer :

TECHNICAL PROPOSAL

Three-phase induction motor - Squirrel cage rotor

Product line : Three-Phase: W21 IE3 IEC Tru-Metric - TEFC (IP55) Multi-Mounting Aluminum  
Frame  
Catalog Number : 00418ET3YAL112M  
List Price : \$679

Notes:  
Downloaded from <http://dealerselectric.com>  
Generated for Model #00418ET3YAL112M

Performed by:

Checked:



# Dealers Industrial Equipment

No.:

Date: 13-SEP-2016

## DATA SHEET Three-phase induction motor - Squirrel cage rotor

Customer :  
 Product line : Three-Phase: W21 IE3 IEC Tru-Metric - TEFC (IP55) Multi-Mounting Aluminum Frame

Frame : 112M  
 Output : 5.5 HP  
 Frequency : 60 Hz  
 Poles : 4  
 Full load speed : 1755 rpm  
 Slip : 2.50 %  
 Voltage : 460 V  
 Rated current : 7.28 A  
 Locked rotor current : 58.2 A  
 Locked rotor current (I<sub>L</sub>/I<sub>n</sub>) : 8.0  
 No-load current : 4.25 A  
 Full load torque : 16.2 lb.ft  
 Locked rotor torque : 250 %  
 Breakdown torque : 350 %  
 Design : ---  
 Insulation class : F  
 Temperature rise : 80 K  
 Locked rotor time : 19 s (hot)  
 Service factor : 1.25  
 Duty cycle : S1  
 Ambient temperature : -20°C - +40°C  
 Altitude : 1000 m  
 Degree of Protection : IP55  
 Approximate weight : 84 lb  
 Moment of inertia : 0.43117 sq.ft.lb  
 Noise level : 56 dB(A)

	D.E.	N.D.E.	Load	Power factor	Efficiency (%)
Bearings	6307 ZZ	6206 ZZ	100%	0.77	89.5
Regreasing interval	---	---	75%	0.70	89.5
Grease amount	---	---	50%	0.58	87.5

Notes:  
 Downloaded from <http://dealerselectric.com>  
 Generated for Model #00418ET3YAL112M

Performed by

Checked



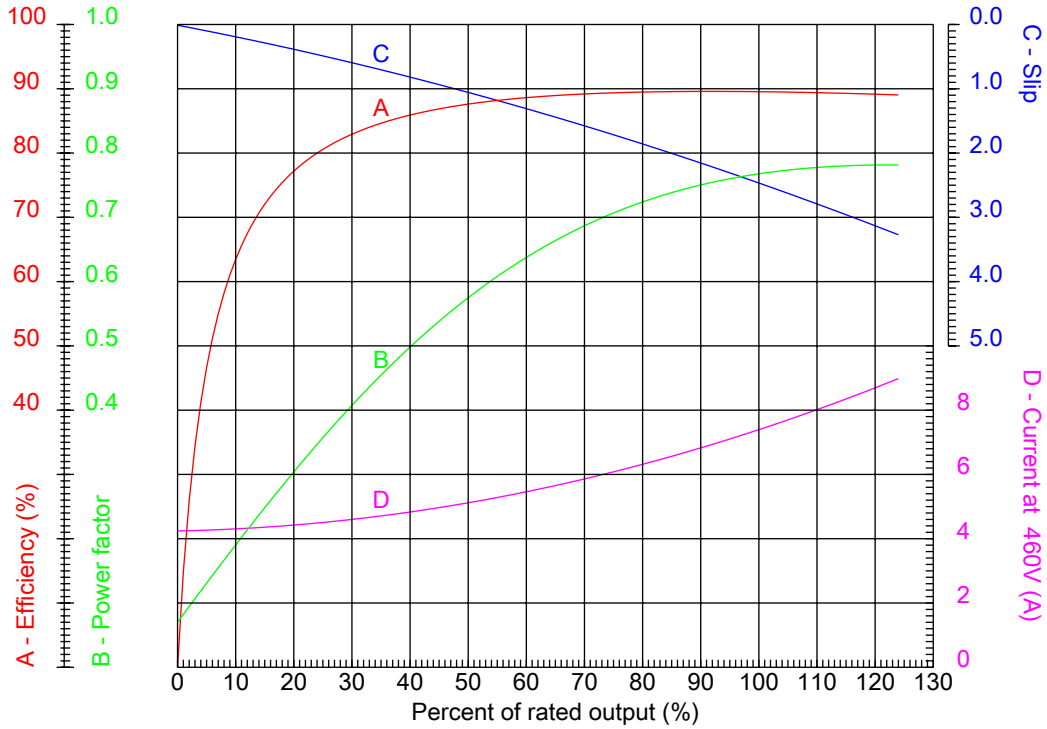
# Dealers Industrial Equipment

No.:

Date: 13-SEP-2016

## PERFORMANCE CURVES RELATED TO RATED OUTPUT

Three-phase induction motor - Squirrel cage rotor



Customer :  
 Product line : Three-Phase: W21 IE3 IEC Tru-Metric - TEFC (IP55) Multi-Mounting Aluminum Frame

Frame	: 112M	Locked rotor current (I <sub>l</sub> /I <sub>n</sub> )	: 8.0
Output	: 5.5 HP	Duty cycle	: S1
Frequency	: 60 Hz	Service factor	: 1.25
Full load speed	: 1755 rpm	Design	: ---
Voltage	: 460 V	Locked rotor torque	: 250 %
Rated current	: 7.28 A	Breakdown torque	: 350 %
Insulation class	: F		

Notes:  
 Downloaded from <http://dealerselectric.com>  
 Generated for Model #00418ET3YAL112M

Performed by

Checked



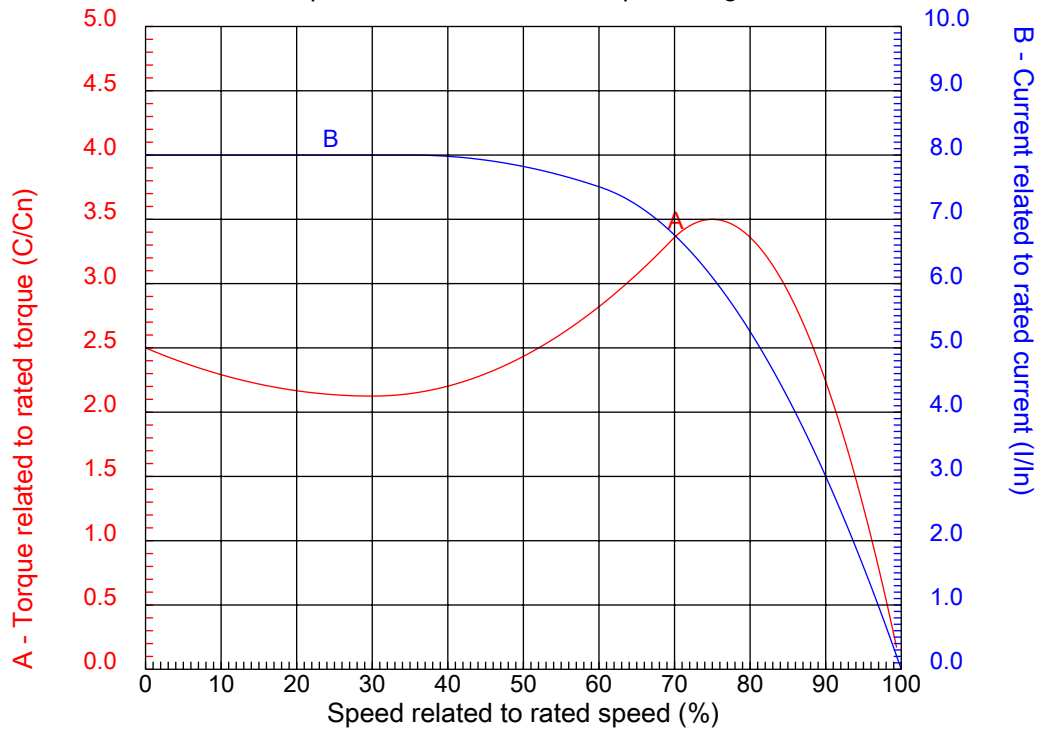
# Dealers Industrial Equipment

No.:

Date: 13-SEP-2016

## CHARACTERISTIC CURVES RELATED TO SPEED

Three-phase induction motor - Squirrel cage rotor



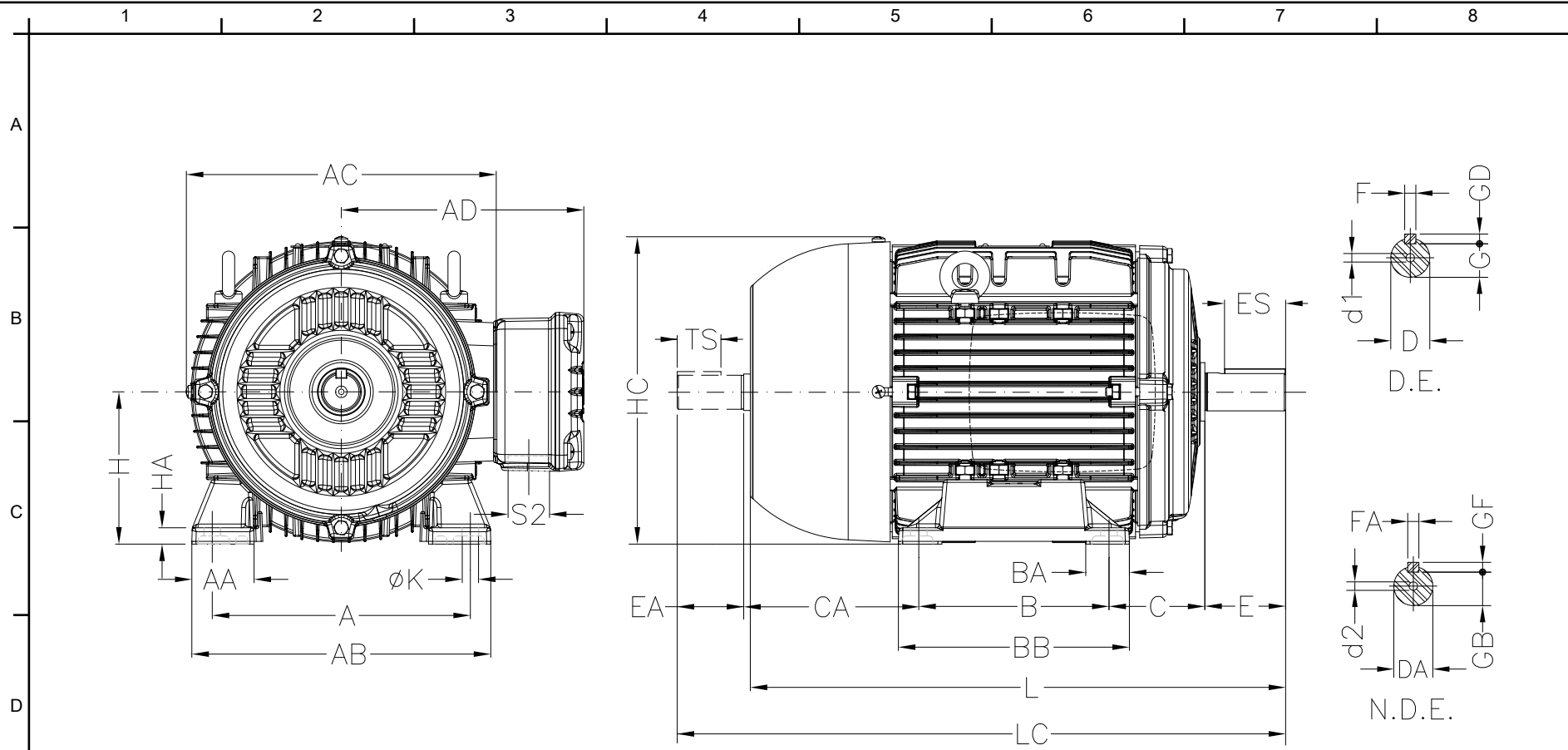
Customer :  
Product line : Three-Phase: W21 IE3 IEC Tru-Metric - TEFC (IP55) Multi-Mounting Aluminum Frame

Frame	: 112M	Locked rotor current (I <sub>L</sub> /I <sub>n</sub> )	: 8.0
Output	: 5.5 HP	Duty cycle	: S1
Frequency	: 60 Hz	Service factor	: 1.25
Full load speed	: 1755 rpm	Design	: ---
Voltage	: 460 V	Locked rotor torque	: 250 %
Rated current	: 7.28 A	Breakdown torque	: 350 %
Insulation class	: F		

Notes:  
Downloaded from <http://dealerselectric.com>  
Generated for Model #00418ET3YAL112M

Performed by

Checked



Notes: Downloaded from <http://dealerselectric.com>  
 Generated for Model #00418ET3YAL112M

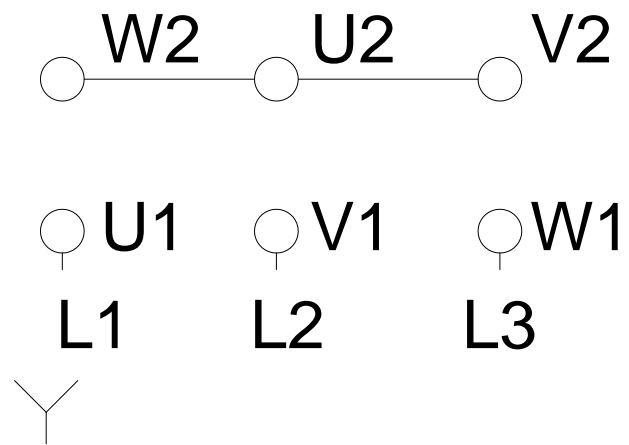
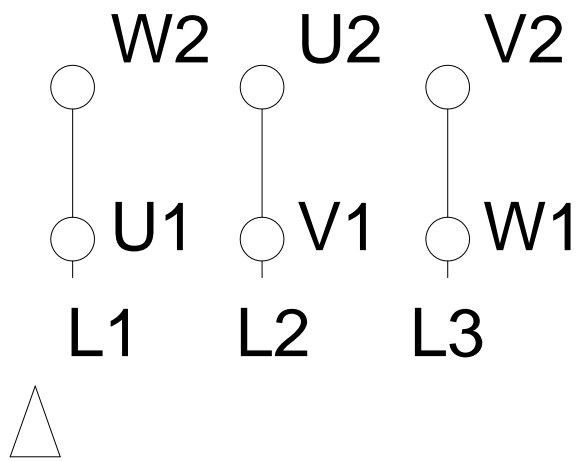
A	AA	AB	AC	AD
190	46	220	223	185
B	BA	BB	C	CA
140	32	170	70	128
D	E	ES	F	G
28j6	60	45	8	24
GD	DA	EA	TS	FA
7	24j6	50	36	8
GB	GF	H	HA	HC
20	7	112	12	235
HD	K	L	LC	S2
312	12	393	448	2xM32x1,5
d1	d2			
DM10	DM8			

Performed by:	
Checked:	
Customer:	
Three-Phase: W21 IE3 IEC Tru-Metric - TEFC (IP55) Multi-Mounting Aluminum	
Three-phase induction motor Frame 112M - IP55	13-SEP-2016



# LOW VOLTAGE

# HIGH VOLTAGE



Notes: Downloaded from <http://dealerselectric.com>  
Generated for Model #00418ET3YAL112M

Performed by:

Checked:

Customer:

Three-Phase: W21 IE3 IEC Tru-Metric - TEFC (IP55) Multi-Mounting Aluminum

Three-phase induction motor  
Frame 112M - IP55

13-SEP-2016

