



Dealers Industrial Equipment

No.:

Date: 13-SEP-2016

Customer :

TECHNICAL PROPOSAL

Three-phase induction motor - Squirrel cage rotor

Product line : Three-Phase: W22 IEEE-841™ Petrochem Motors - NEMA Premium® Efficiency

Catalog Number : 00336ST3HIE182T-W22

List Price : \$1,267

Notes:

Downloaded from <http://dealerselectric.com>

Generated for Model #00336ST3HIE182T-W22

Performed by:

Checked:



Dealers Industrial Equipment

No.:

Date: 13-SEP-2016

DATA SHEET Three-phase induction motor - Squirrel cage rotor

Customer :
 Product line : Three-Phase: W22 IEEE-841™ Petrochem Motors - NEMA Premium® Efficiency

Frame : 182/4T
 Output : 3 HP
 Frequency : 60 Hz
 Poles : 2
 Full load speed : 3515 rpm
 Slip : 2.36 %
 Voltage : 575 V
 Rated current : 2.90 A
 Locked rotor current : 25.0 A
 Locked rotor current (I_L/I_n) : 8.6
 No-load current : 1.04 A
 Full load torque : 4.42 lb.ft
 Locked rotor torque : 250 %
 Breakdown torque : 380 %
 Design : B
 Insulation class : F
 Temperature rise : 80 K
 Locked rotor time : 41 s (hot)
 Service factor : 1.25
 Duty cycle : S1
 Ambient temperature : -20°C - +40°C
 Altitude : 1000 m
 Degree of Protection : IP55
 Approximate weight : 88 lb
 Moment of inertia : 0.18889 sq.ft.lb
 Noise level : 69 dB(A)

	D.E.	N.D.E.
Bearings	6207 C3	6206 C3
Regreasing interval	20000 h	20000 h
Grease amount	7 g	5 g

Load	Power factor	Efficiency (%)
100%	0.88	86.5
75%	0.84	86.5
50%	0.75	82.5

Notes:
 Downloaded from <http://dealerselectric.com>
 Generated for Model #00336ST3HIE182T-W22

Performed by

Checked



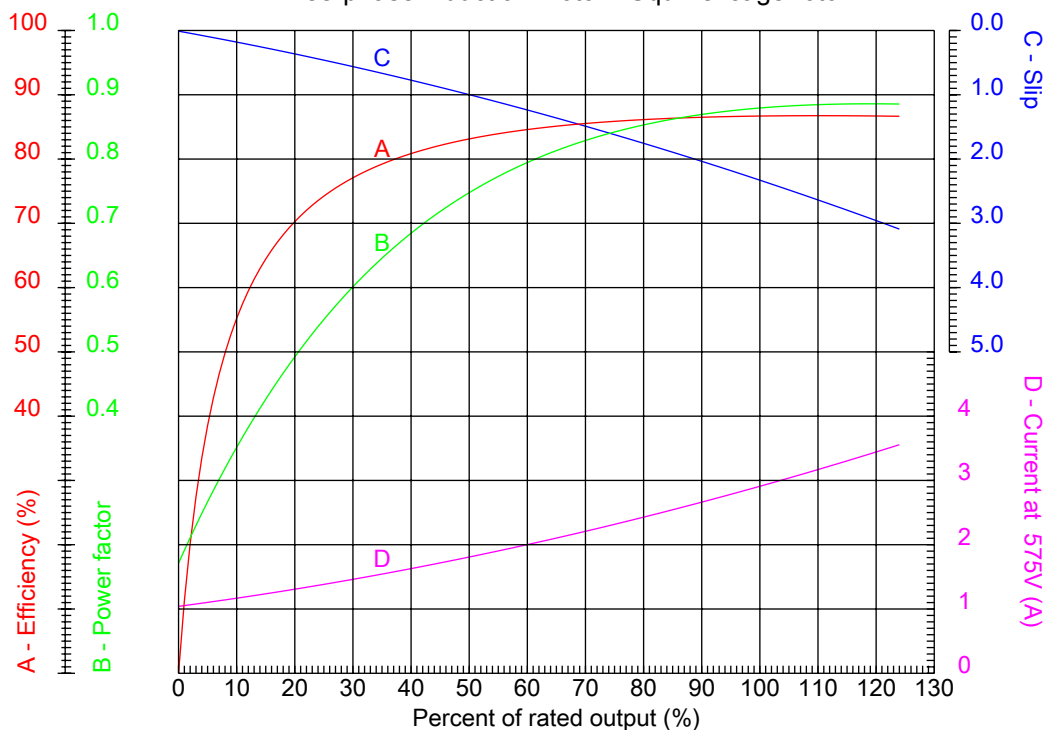
Dealers Industrial Equipment

No.:

Date: 13-SEP-2016

PERFORMANCE CURVES RELATED TO RATED OUTPUT

Three-phase induction motor - Squirrel cage rotor



Customer :
Product line : Three-Phase: W22 IEEE-841™ Petrochem Motors - NEMA Premium® Efficiency

Frame	: 182/4T	Locked rotor current (I _l /I _n)	: 8.6
Output	: 3 HP	Duty cycle	: S1
Frequency	: 60 Hz	Service factor	: 1.25
Full load speed	: 3515 rpm	Design	: B
Voltage	: 575 V	Locked rotor torque	: 250 %
Rated current	: 2.90 A	Breakdown torque	: 380 %
Insulation class	: F		

Notes:
Downloaded from <http://dealerselectric.com>
Generated for Model #00336ST3HIE182T-W22

Performed by

Checked



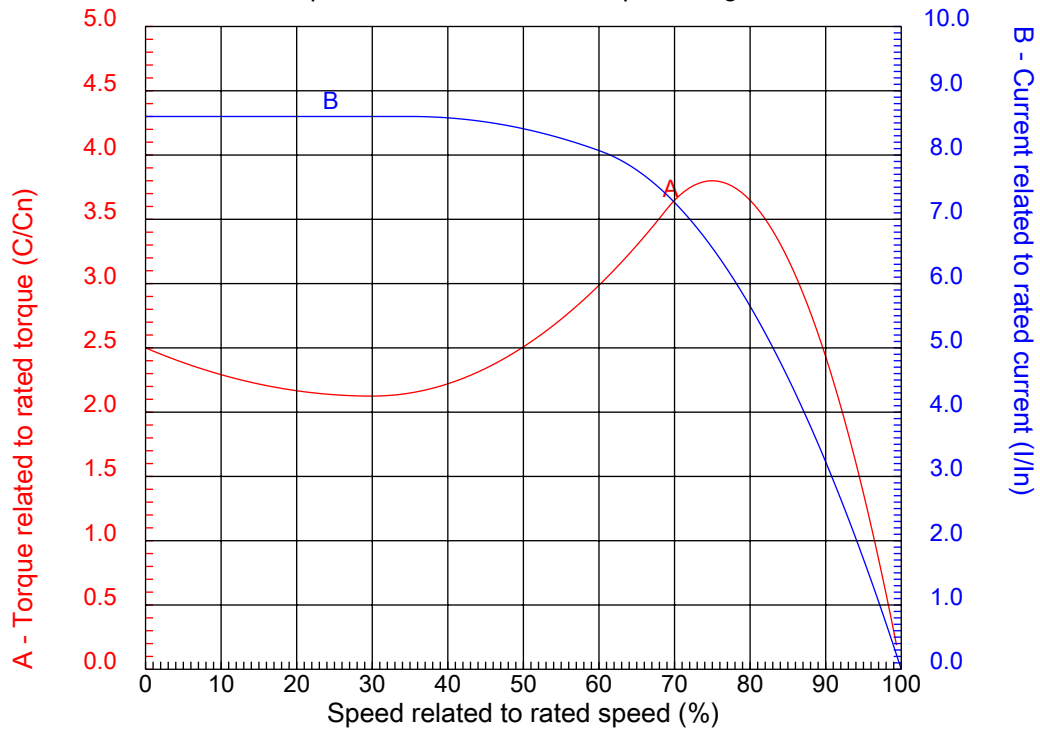
Dealers Industrial Equipment

No.:

Date: 13-SEP-2016

CHARACTERISTIC CURVES RELATED TO SPEED

Three-phase induction motor - Squirrel cage rotor



Customer :
Product line : Three-Phase: W22 IEEE-841™ Petrochem Motors - NEMA Premium® Efficiency

Frame	: 182/4T	Locked rotor current (I _l /I _n)	: 8.6
Output	: 3 HP	Duty cycle	: S1
Frequency	: 60 Hz	Service factor	: 1.25
Full load speed	: 3515 rpm	Design	: B
Voltage	: 575 V	Locked rotor torque	: 250 %
Rated current	: 2.90 A	Breakdown torque	: 380 %
Insulation class	: F		

Notes:
Downloaded from <http://dealerselectric.com>
Generated for Model #00336ST3HIE182T-W22

Performed by

Checked

1 2 3 4 5 6 7 8

A

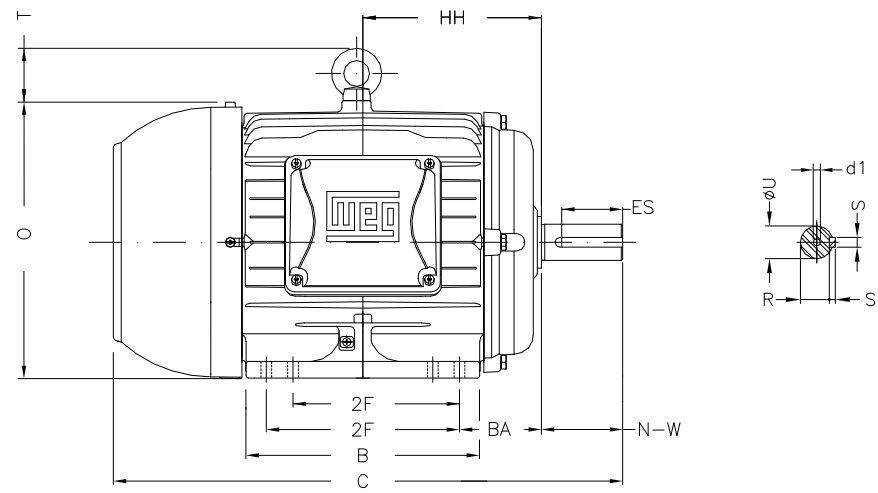
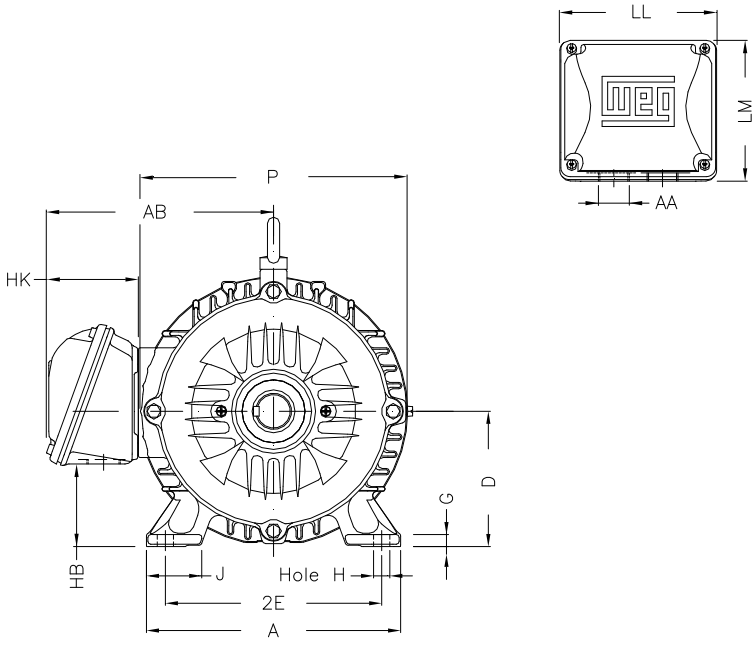
B

C

D

E

F



Notes: Downloaded from <http://dealerselectric.com>
Generated for Model #00336ST3HIE182T-W22

Performed by:

Checked:

Customer:

Three-Phase: W22 IEEE-841™ Petrochem Motors - NEMA Premium® Efficiency

Three-phase induction motor
Frame 182/4T - IP55

13-SEP-2016



2E 7.500	J 1.614	A 8.661	P 8.740	AB 7.565
2F 4.500/5.500	B 6.969	BA 2.750	U 1.125	N-W 2.750
ES 1.969	S 0.250	R 0.984	depth 0.250	D 4.500
G 0.374	HB 2.236	O 9.400	T 1.715	HF 4.500
HH 5.500	HK 3.150	H 0.406	C 15.860	LL 5.512
LM 5.236	AA NPT 1"	d1 A 4	d2 A 4	

1 2 3 4 5 6 7 8

A

B

C

D

E

F



Notes: Downloaded from http://dealerselectric.com Generated for Model #00336ST3HIE182T-W22		
Performed by:		
Checked:		
Customer:		
Three-Phase: W22 IEEE-841™ Petrochem Motors - NEMA Premium® Efficiency		
Three-phase induction motor Frame 182/4T - IP55	13-SEP-2016	