



# Dealers Industrial Equipment

No.:

Date: 13-SEP-2016

Customer :

## TECHNICAL PROPOSAL

### Three-phase induction motor - Squirrel cage rotor

Product line : Three-Phase : NEMA 56 Frames - ODP

Catalog Number : 00336OS3EF56

List Price : \$405

#### Notes:

Downloaded from <http://dealerselectric.com>

Generated for Model #00336OS3EF56

Performed by:

Checked:



# Dealers Industrial Equipment

No.:

Date: 13-SEP-2016

## DATA SHEET Three-phase induction motor - Squirrel cage rotor

Customer :  
Product line : Three-Phase : NEMA 56 Frames - ODP

Frame : F56H  
Output : 3 HP  
Frequency : 60 Hz  
Poles : 2  
Full load speed : 3460 rpm  
Slip : 3.89 %  
Voltage : 208-230/460 V  
Rated current : 7.75/3.87 A  
Locked rotor current : 54.2/27.1 A  
Locked rotor current (I<sub>L</sub>/I<sub>n</sub>) : 7.0  
No-load current : 4.02/2.01 A  
Full load torque : 4.49 lb.ft  
Locked rotor torque : 280 %  
Breakdown torque : 300 %  
Design : A  
Insulation class : B  
Temperature rise : 80 K  
Locked rotor time : 10 s (hot)  
Service factor : 1.15 (1.00 at 208V)  
Duty cycle : S1  
Ambient temperature : -20°C - +40°C  
Altitude : 1000 m  
Degree of Protection : IP21  
Approximate weight : 44 lb  
Moment of inertia : 0.04960 sq.ft.lb  
Noise level : ---

	D.E.	N.D.E.
Bearings	6204 ZZ	6203 ZZ
Regreasing interval	---	---
Grease amount	---	---

Load	Power factor	Efficiency (%)
100%	0.89	82.0
75%	0.82	82.0
50%	0.70	81.5

Notes:  
Downloaded from <http://dealerselectric.com>  
Generated for Model #00336OS3EF56

Performed by

Checked



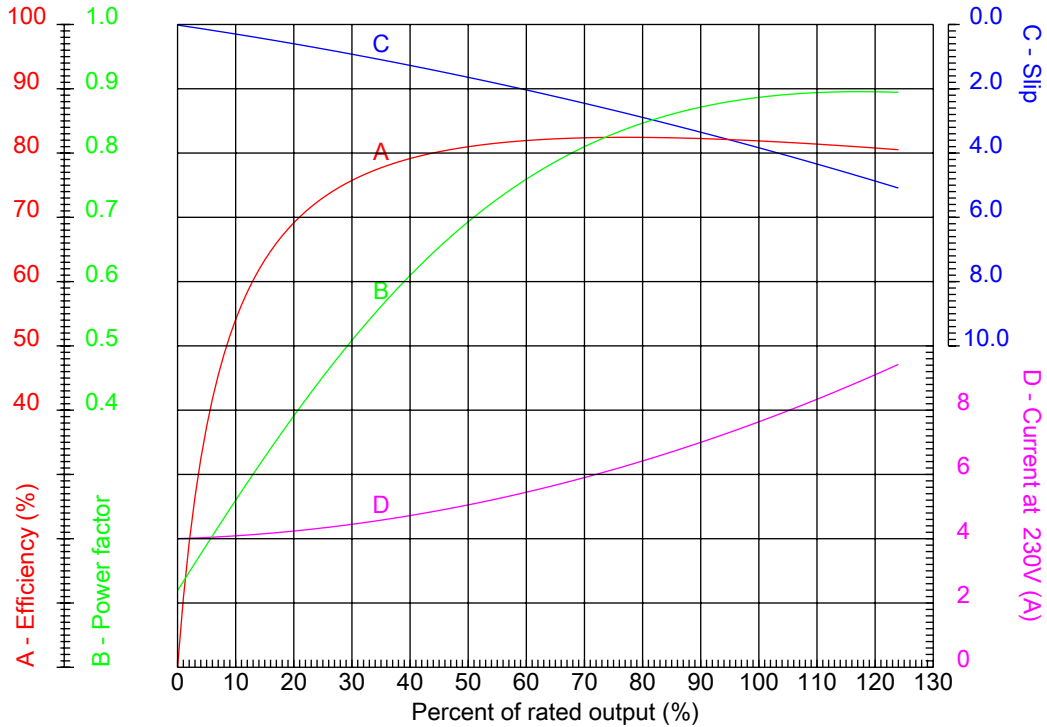
# Dealers Industrial Equipment

No.:

Date: 13-SEP-2016

## PERFORMANCE CURVES RELATED TO RATED OUTPUT

Three-phase induction motor - Squirrel cage rotor



Customer :  
 Product line : Three-Phase : NEMA 56 Frames - ODP

Frame	: F56H	Locked rotor current (I <sub>l</sub> /I <sub>n</sub> )	: 7.0
Output	: 3 HP	Duty cycle	: S1
Frequency	: 60 Hz	Service factor	: 1.15 (1.00 at 208V)
Full load speed	: 3460 rpm	Design	: A
Voltage	: 208-230/460 V	Locked rotor torque	: 280 %
Rated current	: 7.75/3.87 A	Breakdown torque	: 300 %
Insulation class	: B		

Notes:  
 Downloaded from <http://dealerselectric.com>  
 Generated for Model #00336OS3EF56

Performed by

Checked



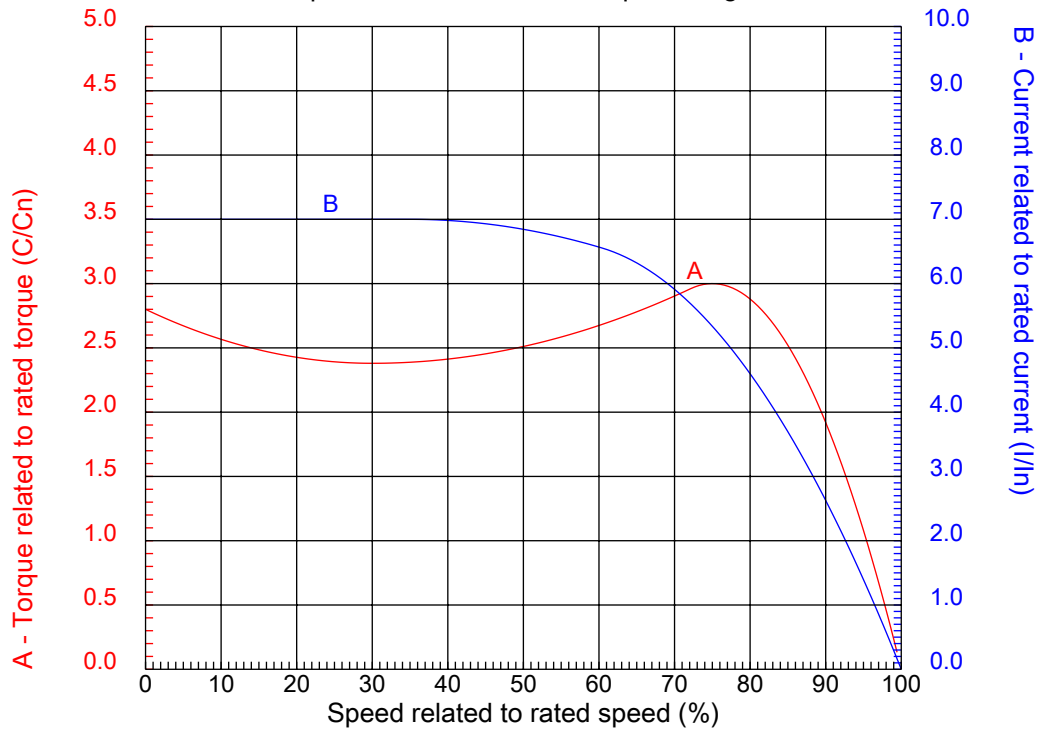
# Dealers Industrial Equipment

No.:

Date: 13-SEP-2016

## CHARACTERISTIC CURVES RELATED TO SPEED

Three-phase induction motor - Squirrel cage rotor



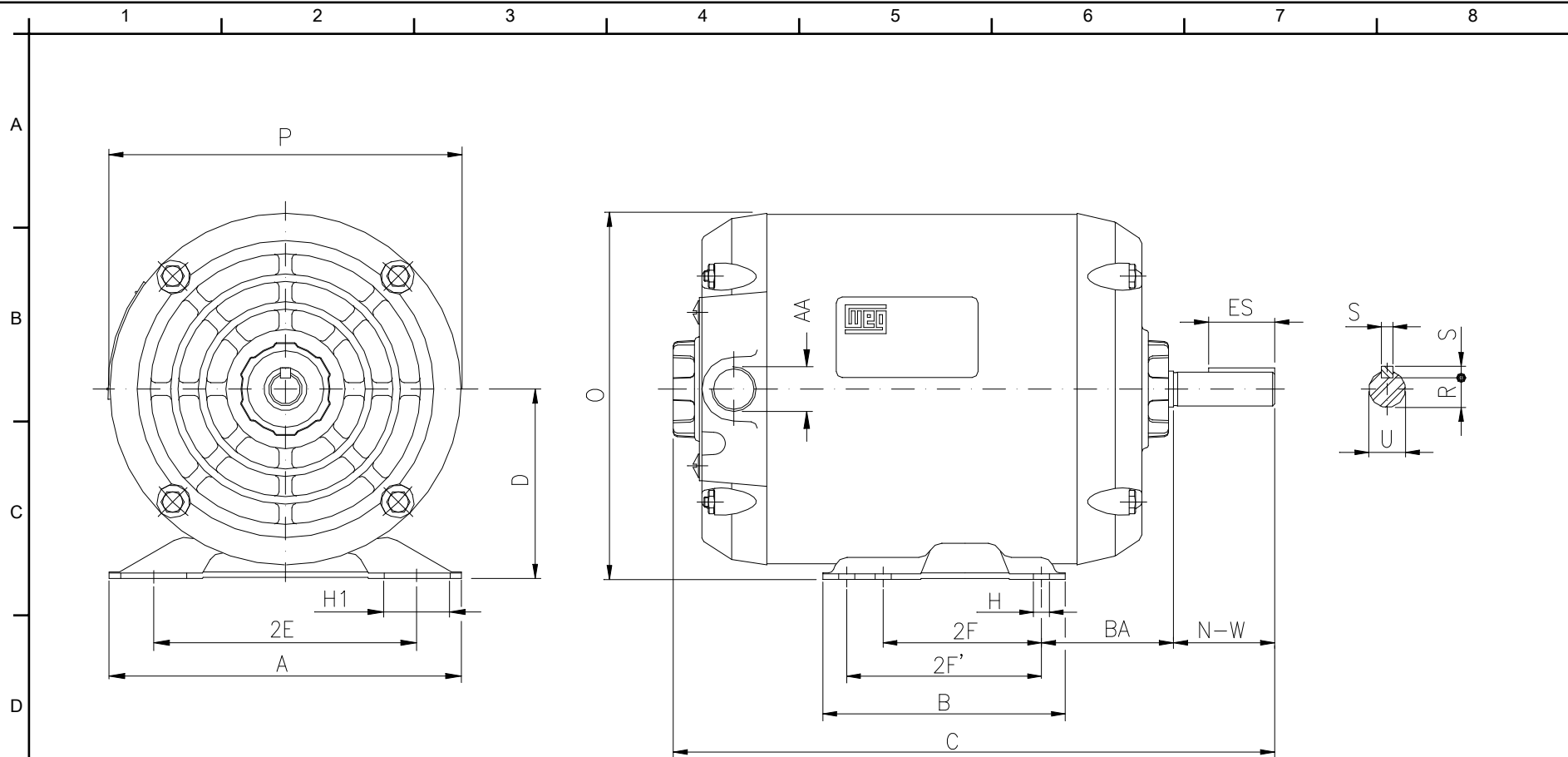
Customer :  
Product line : Three-Phase : NEMA 56 Frames - ODP

Frame	: F56H	Locked rotor current (I <sub>l</sub> /I <sub>n</sub> )	: 7.0
Output	: 3 HP	Duty cycle	: S1
Frequency	: 60 Hz	Service factor	: 1.15 (1.00 at 208V)
Full load speed	: 3460 rpm	Design	: A
Voltage	: 208-230/460 V	Locked rotor torque	: 280 %
Rated current	: 7.75/3.87 A	Breakdown torque	: 300 %
Insulation class	: B		

Notes:  
Downloaded from <http://dealerselectric.com>  
Generated for Model #00336OS3EF56

Performed by

Checked



Notes: Downloaded from <http://dealerselectric.com>  
 Generated for Model #00336OS3EF56

Performed by:

Checked:

Customer:

Three-Phase : NEMA 56 Frames - ODP

Three-phase induction motor  
 Frame F56H - IP21

13-SEP-2016



2E 4.874	H 0.342	A 6.535	2F 3.000	B 6.496
G 3.04	BA 2.750	J 1.220	K 5.000	P 6.457
ES 1.102	S 0.187	N-W 1.874	depth 0.187	U 0.6250
R 0.517	d1 A 3.15	D 3.500	O 6.732	C 13.464
AA NPT 1/2"				

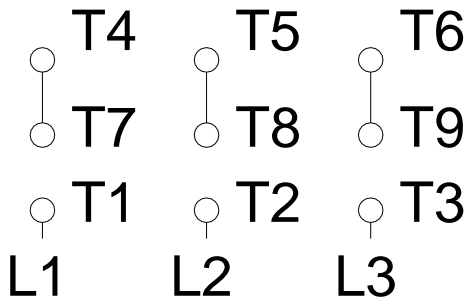
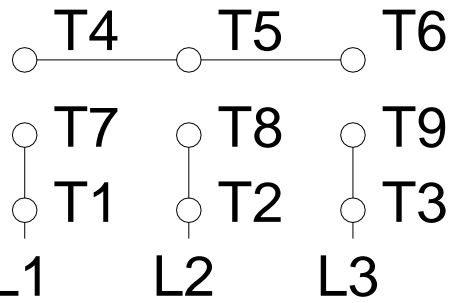
1 2 3 4 5 6 7 8

A

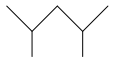
### LOW VOLTAGE

### HIGH VOLTAGE

B



C



D

E

F

Notes: Downloaded from <a href="http://dealerselectric.com">http://dealerselectric.com</a> Generated for Model #00336OS3EF56		
Performed by:		
Checked:		
Customer:		
Three-Phase : NEMA 56 Frames - ODP		
Three-phase induction motor Frame F56H - IP21	13-SEP-2016	