



Dealers Industrial Equipment

No.:

Date: 13-SEP-2016

Customer :

TECHNICAL PROPOSAL

Single-phase induction motor - Squirrel cage rotor

Product line : Single-Phase : ODP (IP22)

Catalog Number : 00336OS1D182T

List Price : \$606

Notes:

Downloaded from <http://dealerselectric.com>

Generated for Model #00336OS1D182T

Performed by:

Checked:



Dealers Industrial Equipment

No.:

Date: 13-SEP-2016

DATA SHEET Single-phase induction motor - Squirrel cage rotor

Customer :
Product line : Single-Phase : ODP (IP22)

Frame : 182T
Output : 3 HP
Frequency : 60 Hz
Poles : 2
Full load speed : 3520 rpm
Slip : 2.22 %
Voltage : 230 V
Rated current : 15.0 A
Locked rotor current : 96.0 A
Locked rotor current (I_L/I_n) : 6.4
No-load current : 8.50 A
Full load torque : 4.42 lb.ft
Locked rotor torque : 230 %
Breakdown torque : 260 %
Design : ---
Insulation class : F
Temperature rise : 80 K
Locked rotor time : 6 s (hot)
Service factor : 1.25
Duty cycle : S1
Ambient temperature : -20°C - +40°C
Altitude : 1000 m
Degree of Protection : IP22
Approximate weight : 82 lb
Moment of inertia : 0.18035 sq.ft.lb
Noise level : ---

	D.E.	N.D.E.
Bearings	6206 ZZ	6205 ZZ
Regreasing interval	---	---
Grease amount	---	---

Load	Power factor	Efficiency (%)
100%	0.79	81.5
75%	0.71	81.0
50%	0.60	78.0

Notes:
Downloaded from <http://dealerselectric.com>
Generated for Model #00336OS1D182T

Performed by

Checked



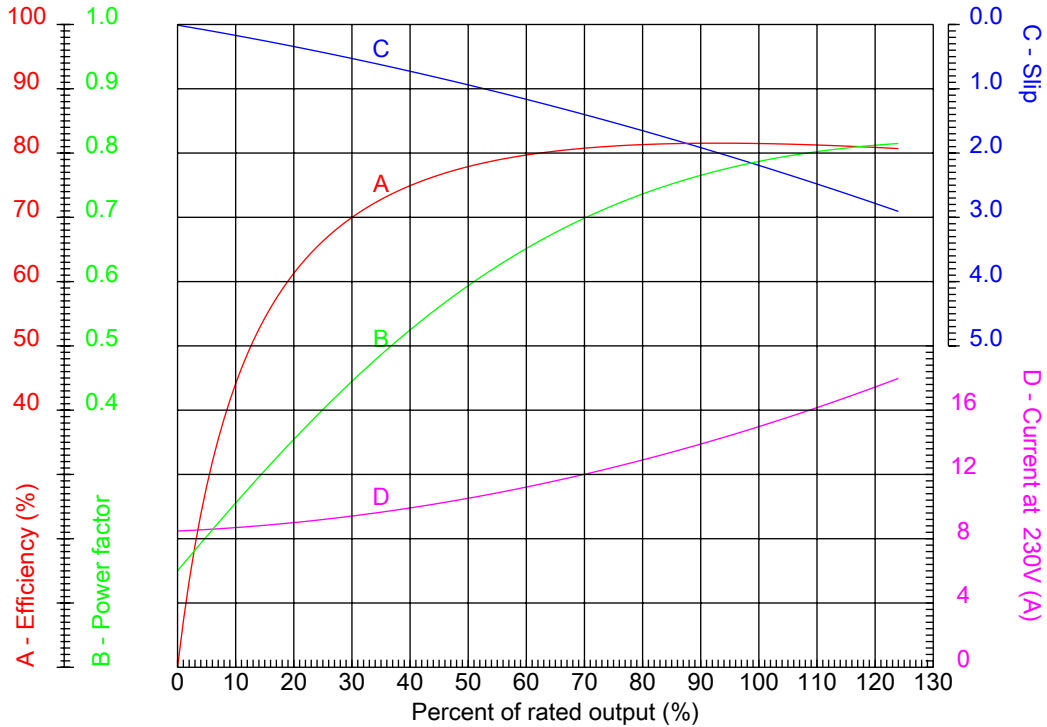
Dealers Industrial Equipment

No.:

Date: 13-SEP-2016

PERFORMANCE CURVES RELATED TO RATED OUTPUT

Single-phase induction motor - Squirrel cage rotor



Customer :
 Product line : Single-Phase : ODP (IP22)

Frame : 182T	Locked rotor current (I _l /I _n) : 6.4
Output : 3 HP	Duty cycle : S1
Frequency : 60 Hz	Service factor : 1.25
Full load speed : 3520 rpm	Design : ---
Voltage : 230 V	Locked rotor torque : 230 %
Rated current : 15.0 A	Breakdown torque : 260 %
Insulation class : F	

Notes:
 Downloaded from <http://dealerselectric.com>
 Generated for Model #00336OS1D182T

Performed by

Checked

1 2 3 4 5 6 7 8

A

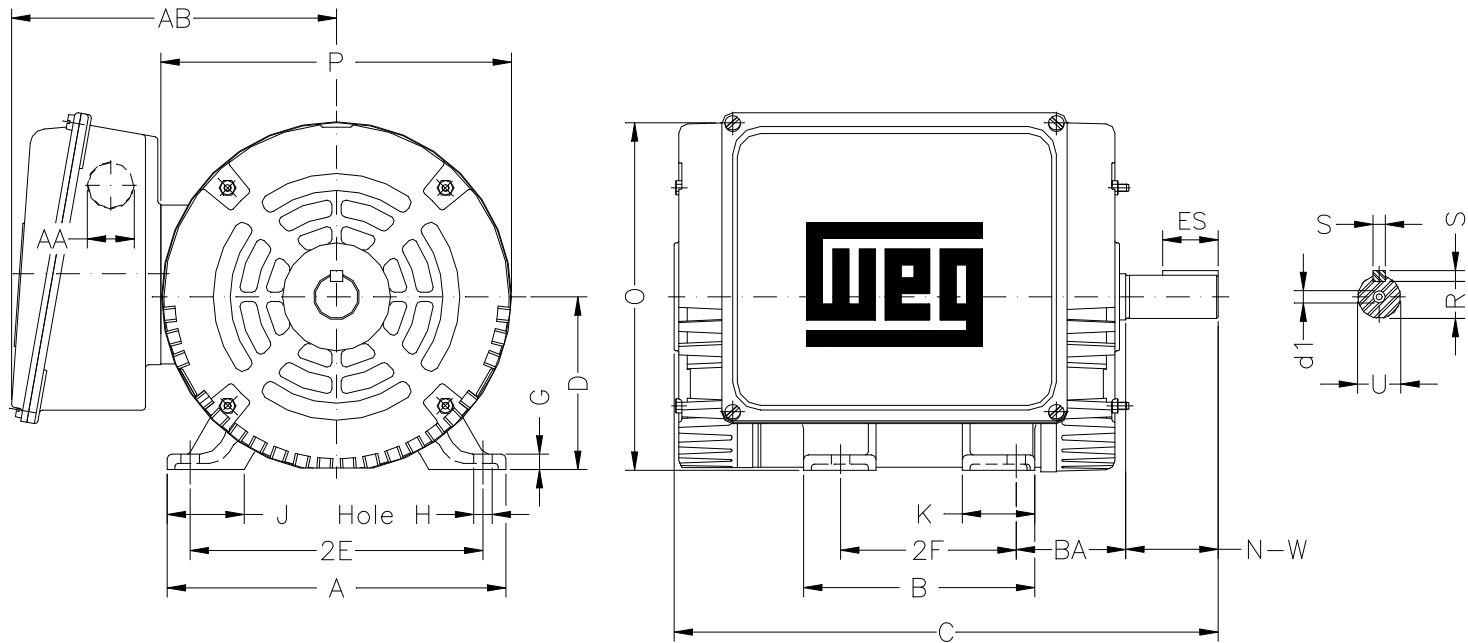
B

C

D

E

F



Notes: Downloaded from <http://dealerselectric.com>
Generated for Model #00336OS1D182T

Performed by:

Checked:

Customer:

Single-Phase : ODP (IP22)

2E 7.500	2F 4.500	H 0.406	BA 2.750	A 8.661
B 6.378	C 14.448	D 4.500	G 0.472	J 1.968
K 1.850	O 8.890	P 8.858	ES 1.969	S 0.250
N-W 2.750	U 1.125	R 0.984	AB 8.346	AA NPT 3/4"
d1 A 4				

Single-phase induction motor
Frame 182T - IP22

13-SEP-2016

