



Dealers Industrial Equipment

No.:

Date: 12-SEP-2016

Customer :

TECHNICAL PROPOSAL

Three-phase induction motor - Squirrel cage rotor

Product line : Close Coupled Pump: Three-Phase - W01 (Rolled Steel) "JM" Type - ODP - High Efficiency
Catalog Number : 00336OP3E145JMV-S
List Price : \$657

Notes:

Downloaded from <http://dealerselectric.com>
Generated for Model #00336OP3E145JMV-S

Performed by:

Checked:



Dealers Industrial Equipment

No.:

Date: 12-SEP-2016

DATA SHEET Three-phase induction motor - Squirrel cage rotor

Customer :
 Product line : Close Coupled Pump: Three-Phase - W01 (Rolled Steel) "JM" Type - ODP - High Efficiency

Frame : 143/5JM
 Output : 3 HP
 Frequency : 60 Hz
 Poles : 2
 Full load speed : 3475 rpm
 Slip : 3.47 %
 Voltage : 208-230/460 V
 Rated current : 8.16-7.38/3.69 A
 Locked rotor current : 57.6/28.8 A
 Locked rotor current (I_L/I_n) : 7.8
 No-load current : 3.20/1.60 A
 Full load torque : 4.47 lb.ft
 Locked rotor torque : 250 %
 Breakdown torque : 310 %
 Design : B
 Insulation class : F
 Temperature rise : 80 K
 Locked rotor time : 12 s (hot)
 Service factor : 1.15
 Duty cycle : S1
 Ambient temperature : -20°C - +40°C
 Altitude : 1000 m
 Degree of Protection : ODP
 Approximate weight : 37 lb
 Moment of inertia : 0.04960 sq.ft.lb
 Noise level : 62 dB(A)

	D.E.	N.D.E.	Load	Power factor	Efficiency (%)
Bearings	6206 ZZ	6203 ZZ	100%	0.89	84.0
Regreasing interval	---	---	75%	0.84	84.0
Grease amount	---	---	50%	0.73	84.0

Notes:
 Downloaded from <http://dealerselectric.com>
 Generated for Model #00336OP3E145JMV-S

Performed by

Checked



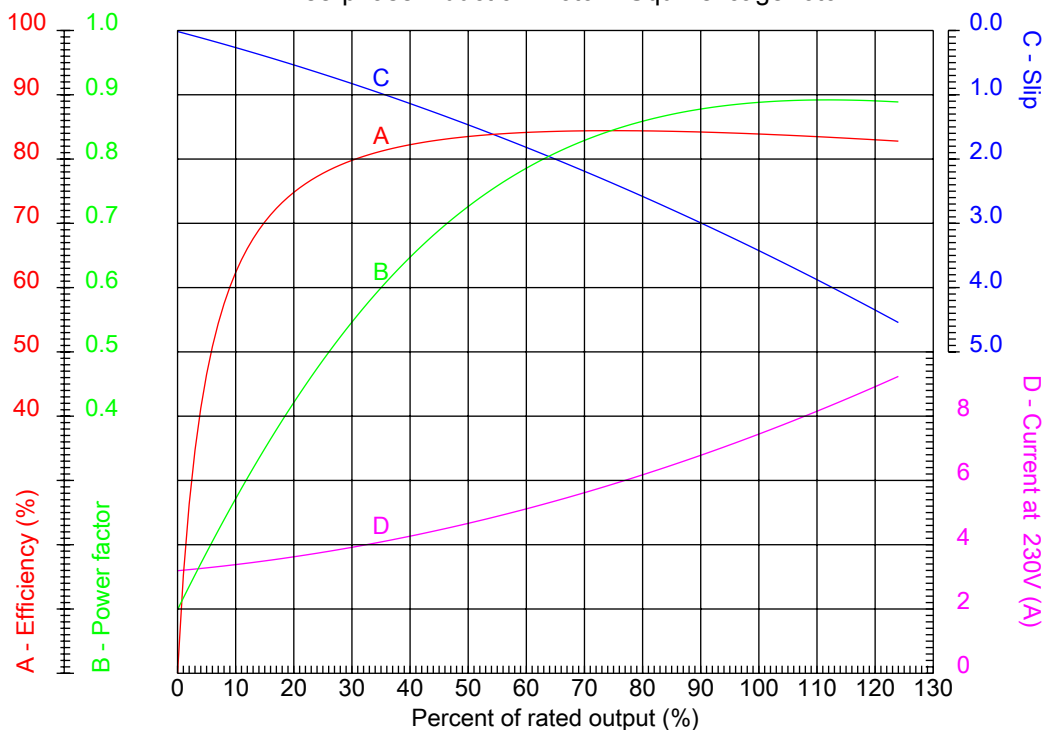
Dealers Industrial Equipment

No.:

Date: 12-SEP-2016

PERFORMANCE CURVES RELATED TO RATED OUTPUT

Three-phase induction motor - Squirrel cage rotor



Customer :
Product line : Close Coupled Pump: Three-Phase - W01 (Rolled Steel) "JM" Type - ODP - High Efficiency

Frame	: 143/5JM	Locked rotor current (I _l /I _n)	: 7.8
Output	: 3 HP	Duty cycle	: S1
Frequency	: 60 Hz	Service factor	: 1.15
Full load speed	: 3475 rpm	Design	: B
Voltage	: 208-230/460 V	Locked rotor torque	: 250 %
Rated current	: 8.16-7.38/3.69 A	Breakdown torque	: 310 %
Insulation class	: F		

Notes:
Downloaded from <http://dealerselectric.com>
Generated for Model #00336OP3E145JMV-S

Performed by

Checked



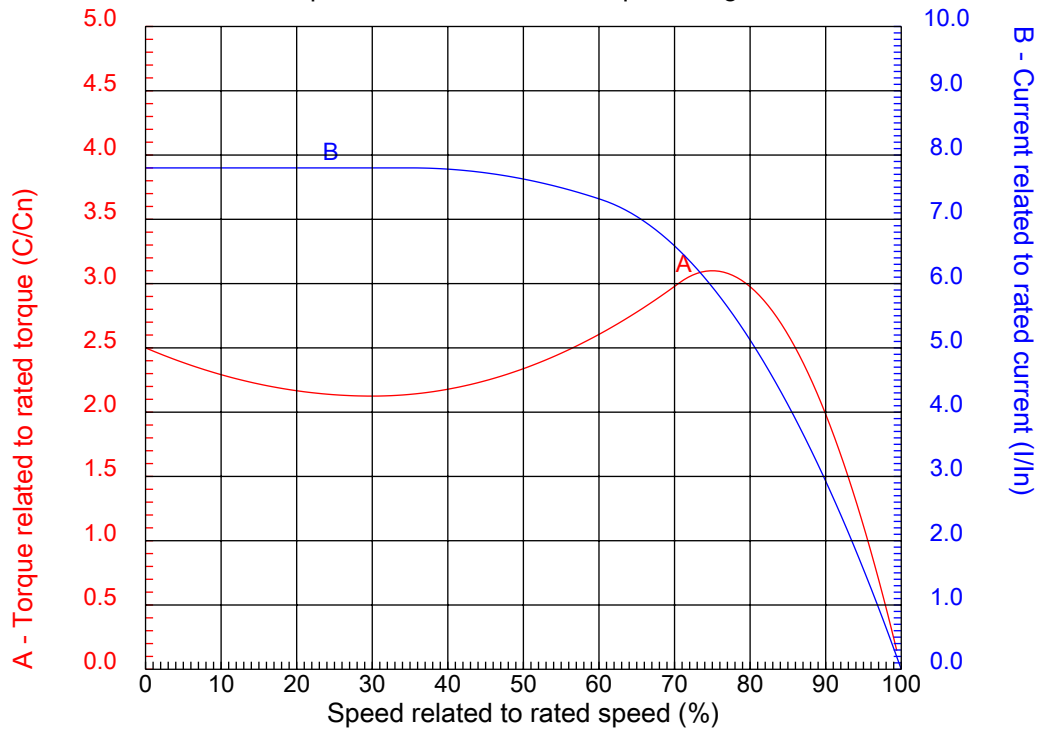
Dealers Industrial Equipment

No.:

Date: 12-SEP-2016

CHARACTERISTIC CURVES RELATED TO SPEED

Three-phase induction motor - Squirrel cage rotor



Customer :
Product line : Close Coupled Pump: Three-Phase - W01 (Rolled Steel) "JM" Type - ODP - High Efficiency

Frame	: 143/5JM	Locked rotor current (I _l /I _n)	: 7.8
Output	: 3 HP	Duty cycle	: S1
Frequency	: 60 Hz	Service factor	: 1.15
Full load speed	: 3475 rpm	Design	: B
Voltage	: 208-230/460 V	Locked rotor torque	: 250 %
Rated current	: 8.16-7.38/3.69 A	Breakdown torque	: 310 %
Insulation class	: F		

Notes:
Downloaded from <http://dealerselectric.com>
Generated for Model #00336OP3E145JMV-S

Performed by

Checked

1 2 3 4 5 6 7 8

A

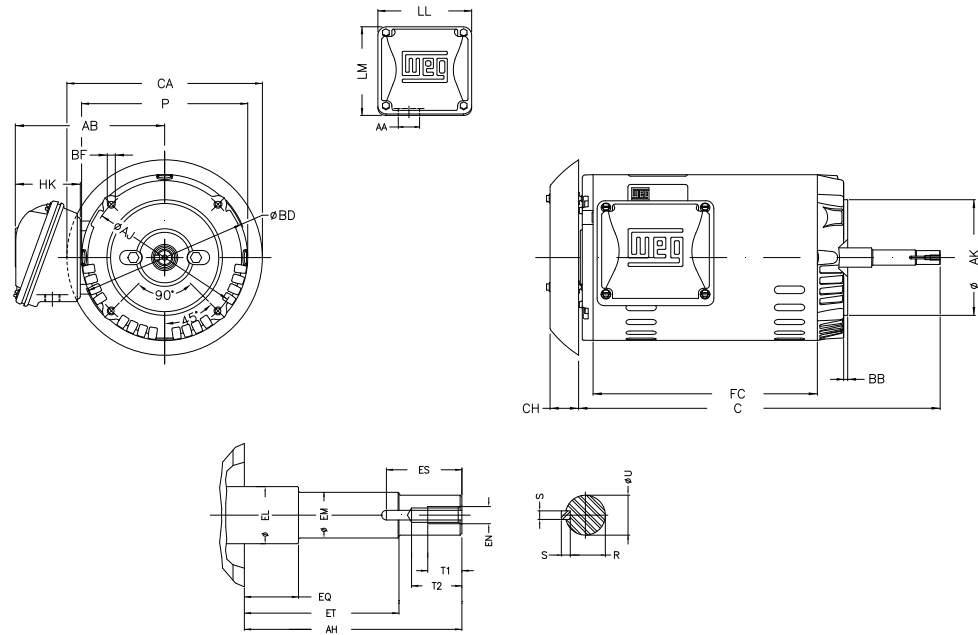
B

C

D

E

F



Notes: Downloaded from <http://dealerselectric.com>
 Generated for Model #00336OP3E145JMV-S

Performed by:

Checked:

Customer:

Close Coupled Pump: Three-Phase - W01 (Rolled Steel) "JM" Type - ODP - High

Three-phase induction motor
 Frame 143/5JM - ODP

12-SEP-2016



P 6.456	AB 5.873	AA 1.118"	ER 4.258	EQ 0.630
ET 2.880	U 0.8745	EM 1.000	EL 1.156	EP 1.179
ES 1.575	t1 0.787	t2 1.102	C 14.094	FC 8.268
Flange FC-149	AJ 5.874	AK 4.500	BD 6.450	BF UNC 3/8"x16
BB 0.157	AH 4.267			

1 2 3 4 5 6 7 8

A

LOW VOLTAGE

HIGH VOLTAGE

B



C



D

E

F

Notes: Downloaded from http://dealerselectric.com Generated for Model #00336OP3E145JMV-S		
Performed by:		
Checked:		
Customer:		
Close Coupled Pump: Three-Phase - W01 (Rolled Steel) "JM" Type - ODP - High		
Three-phase induction motor Frame 143/5JM - IP21	12-SEP-2016	