



Dealers Industrial Equipment

No.:

Date: 12-SEP-2016

Customer :

TECHNICAL PROPOSAL

Three-phase induction motor - Squirrel cage rotor

Product line : Three-Phase: W21 IE3 IEC Tru-Metric - TEFC (IP55) Multi-Mounting Aluminum
Frame
Catalog Number : 00336ET3WAL100L
List Price : \$805

Notes:
Downloaded from <http://dealerselectric.com>
Generated for Model #00336ET3WAL100L

Performed by:

Checked:



Dealers Industrial Equipment

No.:

Date: 12-SEP-2016

DATA SHEET Three-phase induction motor - Squirrel cage rotor

Customer :
 Product line : Three-Phase: W21 IE3 IEC Tru-Metric - TEFC (IP55) Multi-Mounting Aluminum Frame

Frame : 100L
 Output : 4 HP
 Frequency : 60 Hz
 Poles : 2
 Full load speed : 3510 rpm
 Slip : 2.50 %
 Voltage : 460 V
 Rated current : 5.01 A
 Locked rotor current : 46.1 A
 Locked rotor current (I_L/I_n) : 9.2
 No-load current : 2.35 A
 Full load torque : 5.90 lb.ft
 Locked rotor torque : 380 %
 Breakdown torque : 500 %
 Design : ---
 Insulation class : F
 Temperature rise : 80 K
 Locked rotor time : 18 s (hot)
 Service factor : 1.25
 Duty cycle : S1
 Ambient temperature : -20°C - +40°C
 Altitude : 1000 m
 Degree of Protection : IP55
 Approximate weight : 61 lb
 Moment of inertia : 0.15187 sq.ft.lb
 Noise level : 67 dB(A)

	D.E.	N.D.E.
Bearings	6206 ZZ	6205 ZZ
Regreasing interval	---	---
Grease amount	---	---

Load	Power factor	Efficiency (%)
100%	0.85	88.5
75%	0.79	86.5
50%	0.68	82.5

Notes:
 Downloaded from <http://dealerselectric.com>
 Generated for Model #00336ET3WAL100L

Performed by

Checked



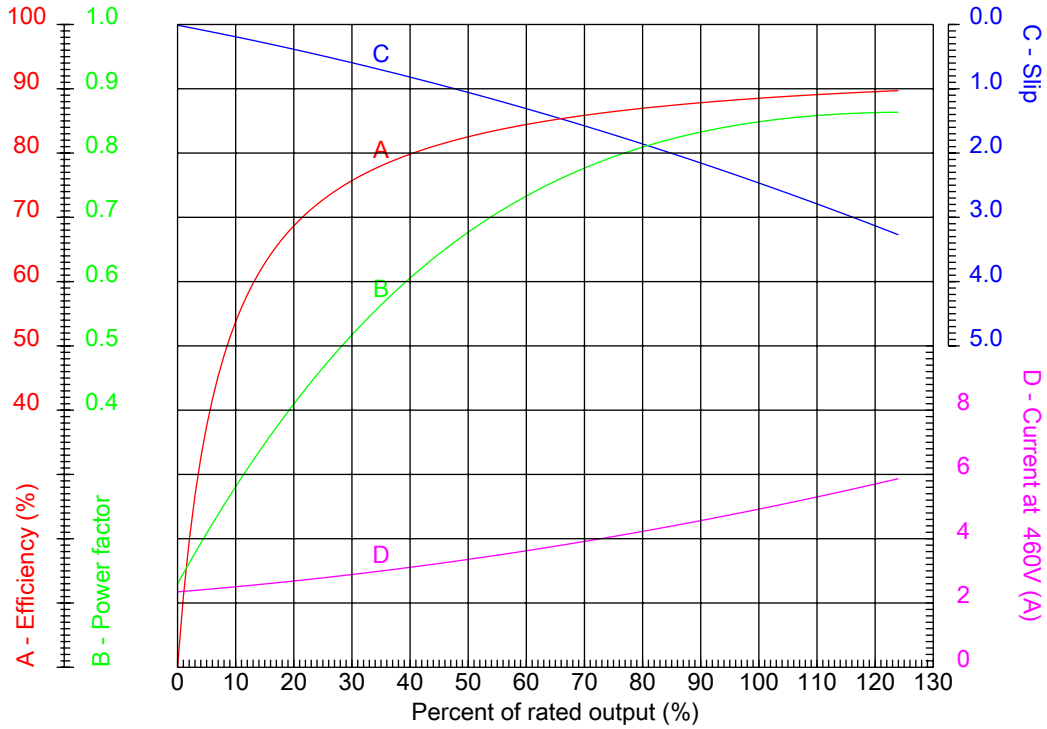
Dealers Industrial Equipment

No.:

Date: 12-SEP-2016

PERFORMANCE CURVES RELATED TO RATED OUTPUT

Three-phase induction motor - Squirrel cage rotor



Customer :
 Product line : Three-Phase: W21 IE3 IEC Tru-Metric - TEFC (IP55) Multi-Mounting Aluminum Frame

Frame	: 100L	Locked rotor current (I _l /I _n)	: 9.2
Output	: 4 HP	Duty cycle	: S1
Frequency	: 60 Hz	Service factor	: 1.25
Full load speed	: 3510 rpm	Design	: ---
Voltage	: 460 V	Locked rotor torque	: 380 %
Rated current	: 5.01 A	Breakdown torque	: 500 %
Insulation class	: F		

Notes:
 Downloaded from <http://dealerselectric.com>
 Generated for Model #00336ET3WAL100L

Performed by	Checked
--------------	---------



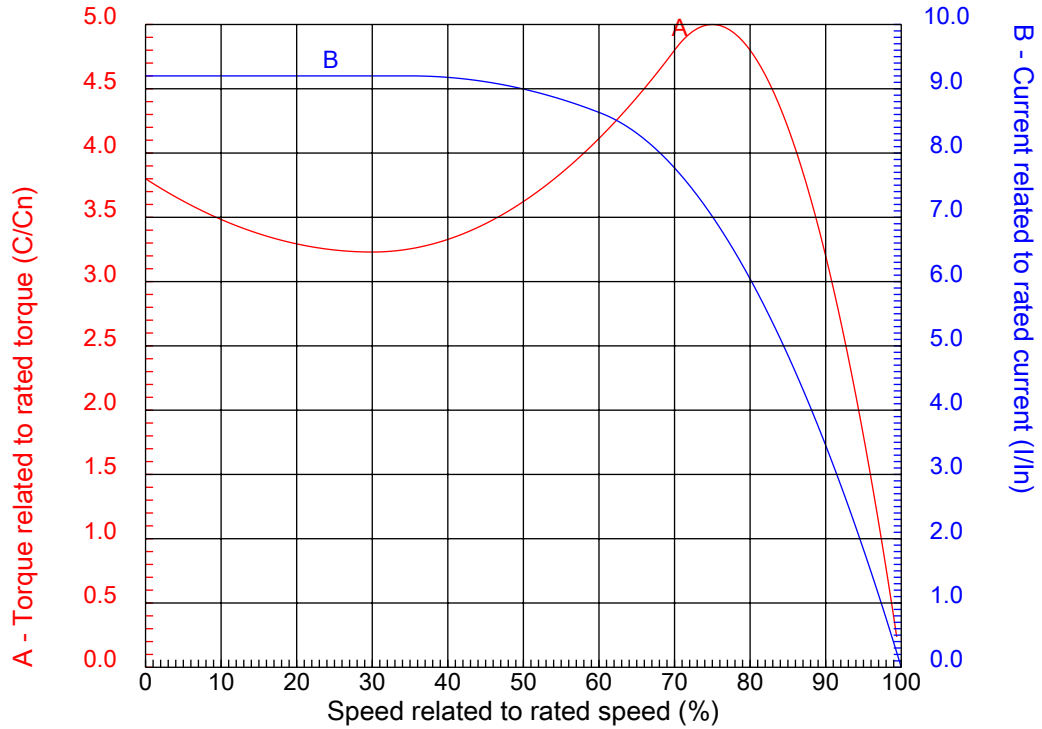
Dealers Industrial Equipment

No.:

Date: 12-SEP-2016

CHARACTERISTIC CURVES RELATED TO SPEED

Three-phase induction motor - Squirrel cage rotor



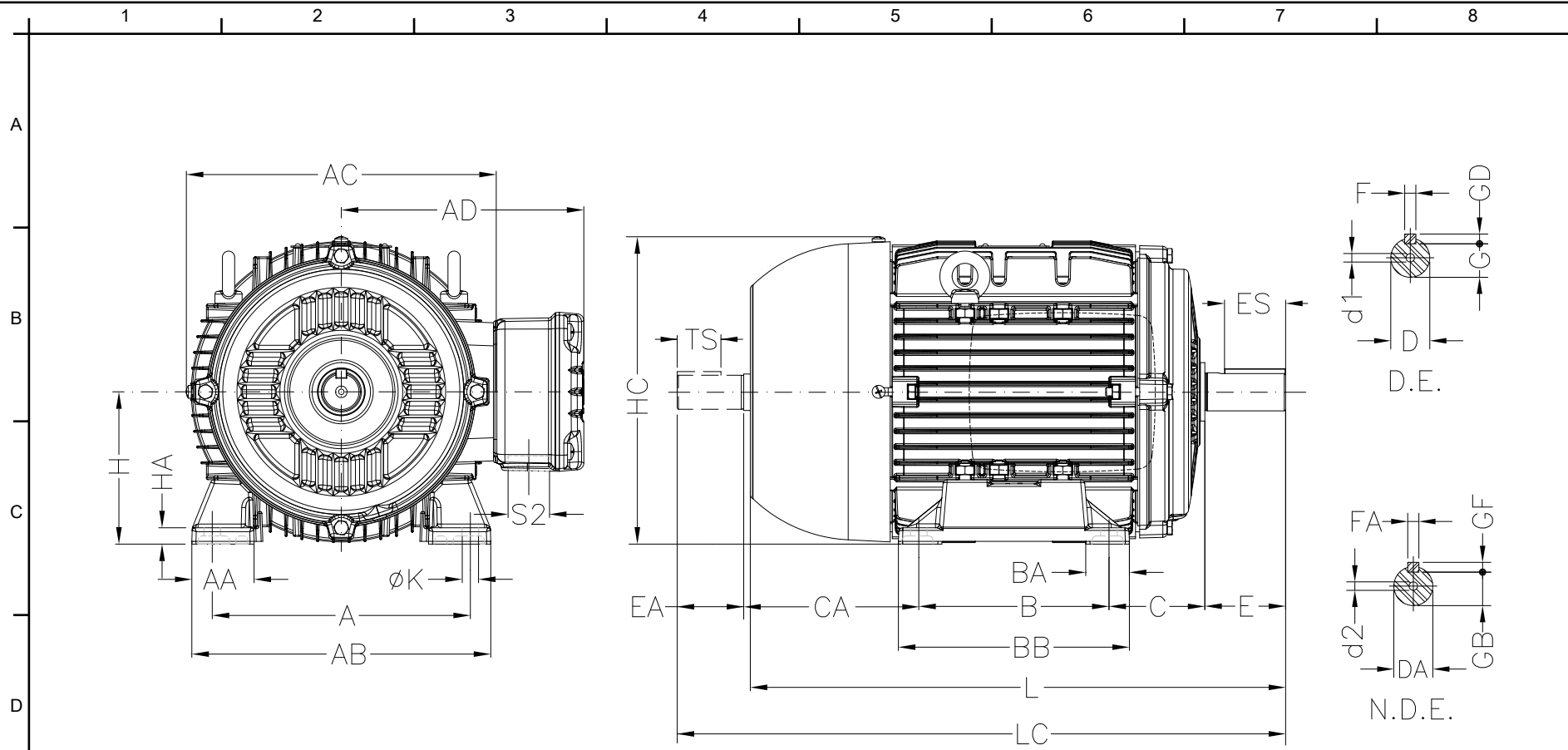
Customer :
Product line : Three-Phase: W21 IE3 IEC Tru-Metric - TEFC (IP55) Multi-Mounting Aluminum Frame

Frame	: 100L	Locked rotor current (I _l /I _n)	: 9.2
Output	: 4 HP	Duty cycle	: S1
Frequency	: 60 Hz	Service factor	: 1.25
Full load speed	: 3510 rpm	Design	: ---
Voltage	: 460 V	Locked rotor torque	: 380 %
Rated current	: 5.01 A	Breakdown torque	: 500 %
Insulation class	: F		

Notes:
Downloaded from <http://dealerselectric.com>
Generated for Model #00336ET3WAL100L

Performed by

Checked



Notes: Downloaded from <http://dealerselectric.com>
 Generated for Model #00336ET3WAL100L

A	AA	AB	AC	AD
160	40	196	200	165
B	BA	BB	C	CA
140	30	170	63	118
D	E	ES	F	G
28j6	60	45	8	24
GD	DA	EA	TS	FA
7	22j6	50	36	6
GB	GF	H	HA	HC
18.5	6	100	12	198
HD	K	L	LC	S2
260	12	376	431	2xM25x1,5
d1	d2			
DM10	DM8			

Performed by:	
Checked:	
Customer:	
Three-Phase: W21 IE3 IEC Tru-Metric - TEFC (IP55) Multi-Mounting Aluminum	
Three-phase induction motor Frame 100L - IP55	12-SEP-2016



1 2 3 4 5 6 7 8

LOW VOLTAGE

HIGH VOLTAGE

A
B
C
D
E
F



Notes: Downloaded from http://dealerselectric.com Generated for Model #00336ET3WAL100L		
Performed by:		
Checked:		
Customer:		
Three-Phase: W21 IE3 IEC Tru-Metric - TEFC (IP55) Multi-Mounting Aluminum		
Three-phase induction motor Frame 100L - IP55	12-SEP-2016	