



Dealers Industrial Equipment

No.:

Date: 12-SEP-2016

Customer :

TECHNICAL PROPOSAL

Three-phase induction motor - Squirrel cage rotor

Product line : Jet Pump: Three-Phase - W01 (Rolled Steel) - TEFC - Threaded - Premium  
Efficiency  
Catalog Number : 00336ET3EJPR56J-S  
List Price : \$624

Notes:

Downloaded from <http://dealerselectric.com>  
Generated for Model #00336ET3EJPR56J-S

Performed by:

Checked:



# Dealers Industrial Equipment

No.:

Date: 12-SEP-2016

## DATA SHEET Three-phase induction motor - Squirrel cage rotor

Customer :  
 Product line : Jet Pump: Three-Phase - W01 (Rolled Steel) - TEFC - Threaded - Premium Efficiency

Frame : 56HJ  
 Output : 3 HP  
 Frequency : 60 Hz  
 Poles : 2  
 Full load speed : 3500 rpm  
 Slip : 2.78 %  
 Voltage : 208-230/460 V  
 Rated current : 7.76-7.02/3.51 A  
 Locked rotor current : 66.7/33.3 A  
 Locked rotor current (I<sub>L</sub>/I<sub>n</sub>) : 9.5  
 No-load current : 2.56/1.28 A  
 Full load torque : 4.44 lb.ft  
 Locked rotor torque : 300 %  
 Breakdown torque : 380 %  
 Design : B  
 Insulation class : F  
 Temperature rise : 80 K  
 Locked rotor time : 10 s (hot)  
 Service factor : 1.15  
 Duty cycle : S1  
 Ambient temperature : -20°C - +40°C  
 Altitude : 1000 m  
 Degree of Protection : IP55  
 Approximate weight : 48 lb  
 Moment of inertia : 0.16635 sq.ft.lb  
 Noise level : 68 dB(A)

	D.E.	N.D.E.	Load	Power factor	Efficiency (%)
Bearings	6203 ZZ	6202 ZZ	100%	0.91	86.5
Regreasing interval	---	---	75%	0.87	86.5
Grease amount	---	---	50%	0.78	84.0

Notes:  
 Downloaded from <http://dealerselectric.com>  
 Generated for Model #00336ET3EJPR56J-S

Performed by

Checked



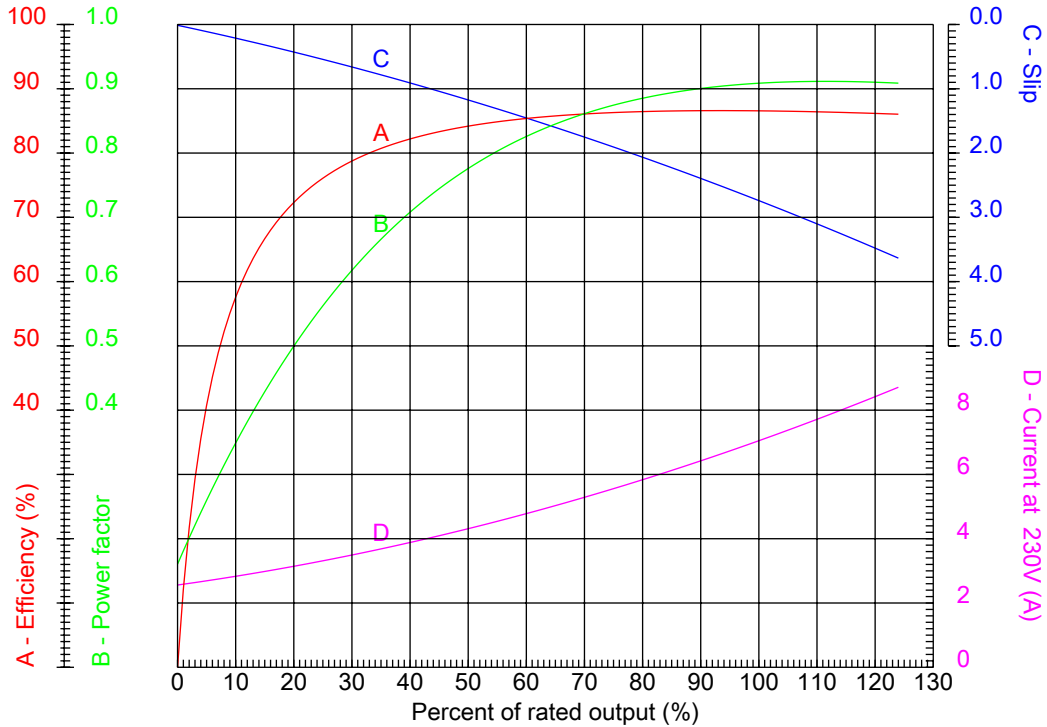
# Dealers Industrial Equipment

No.:

Date: 12-SEP-2016

## PERFORMANCE CURVES RELATED TO RATED OUTPUT

Three-phase induction motor - Squirrel cage rotor



Customer :  
 Product line : Jet Pump: Three-Phase - W01 (Rolled Steel) - TEFC - Threaded - Premium Efficiency

Frame : 56HJ	Locked rotor current (I <sub>l</sub> /I <sub>n</sub> ) : 9.5
Output : 3 HP	Duty cycle : S1
Frequency : 60 Hz	Service factor : 1.15
Full load speed : 3500 rpm	Design : B
Voltage : 208-230/460 V	Locked rotor torque : 300 %
Rated current : 7.76-7.02/3.51 A	Breakdown torque : 380 %
Insulation class : F	

Notes:  
 Downloaded from <http://dealerselectric.com>  
 Generated for Model #00336ET3EJPR56J-S

Performed by

Checked



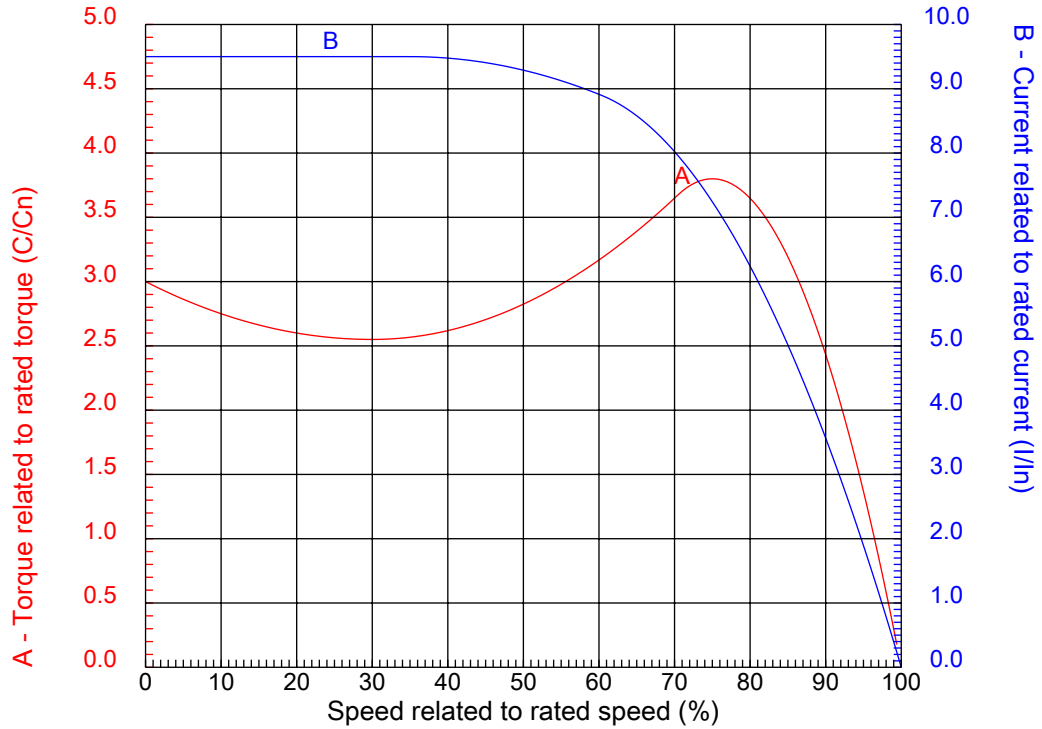
# Dealers Industrial Equipment

No.:

Date: 12-SEP-2016

## CHARACTERISTIC CURVES RELATED TO SPEED

Three-phase induction motor - Squirrel cage rotor



Customer :  
Product line : Jet Pump: Three-Phase - W01 (Rolled Steel) - TEFC - Threaded - Premium Efficiency

Frame	: 56HJ	Locked rotor current (I <sub>l</sub> /I <sub>n</sub> )	: 9.5
Output	: 3 HP	Duty cycle	: S1
Frequency	: 60 Hz	Service factor	: 1.15
Full load speed	: 3500 rpm	Design	: B
Voltage	: 208-230/460 V	Locked rotor torque	: 300 %
Rated current	: 7.76-7.02/3.51 A	Breakdown torque	: 380 %
Insulation class	: F		

Notes:  
Downloaded from <http://dealerselectric.com>  
Generated for Model #00336ET3EJPR56J-S

Performed by

Checked

1 2 3 4 5 6 7 8

A

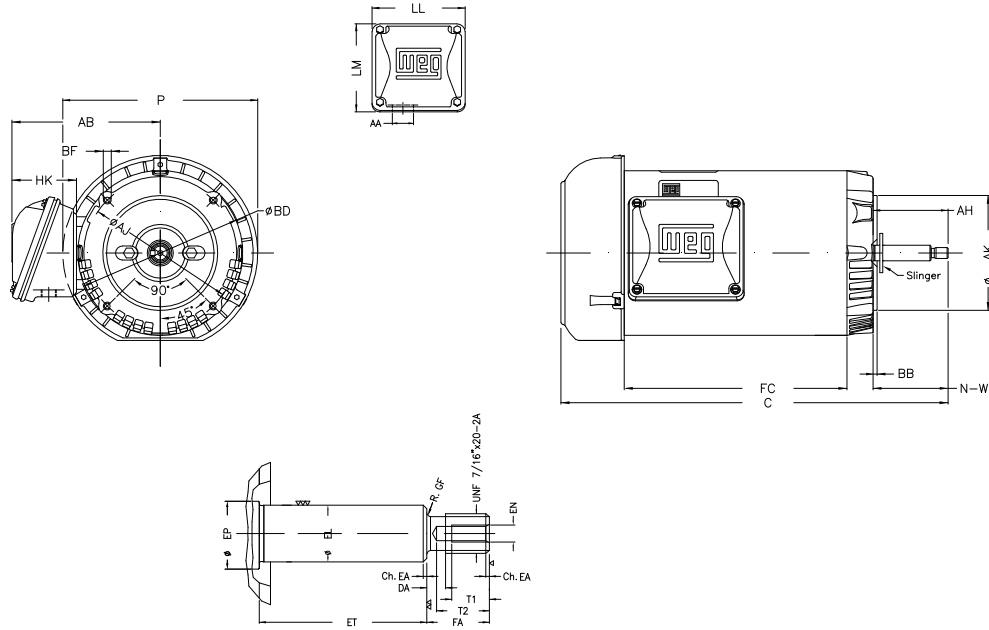
B

C

D

E

F



Notes: Downloaded from <http://dealerselectric.com>  
Generated for Model #00336ET3EJPR56J-S

Performed by:

Checked:

Customer:

Jet Pump: Three-Phase - W01 (Rolled Steel) - TEFC - Threaded - Premium

Three-phase induction motor  
Frame 56HJ - IP55

12-SEP-2016



P 7.638	AB 5.882	AA 0.881"	ET 1.874	U 0.625
EL 0.625	EP 0.665	t1 0.472	t2 0.590	C 15.583
FC 9.449	Flange FC-149	AJ 5.874	AK 4.500	BD 6.450
BF UNC 3/8"x16-2B	BB 0.157	AH 2.562		