



Dealers Industrial Equipment

No.:

Date: 12-SEP-2016

Customer :

TECHNICAL PROPOSAL

Three-phase induction motor - Squirrel cage rotor

Product line : Jet Pump: Three-Phase - W01 (Rolled Steel) - TEFC - Keyed - Premium  
Efficiency

Catalog Number : 00336ET3EJPR56C-S

List Price : \$602

Notes:

Downloaded from <http://dealerselectric.com>

Generated for Model #00336ET3EJPR56C-S

Performed by:

Checked:



# Dealers Industrial Equipment

No.:

Date: 12-SEP-2016

## DATA SHEET Three-phase induction motor - Squirrel cage rotor

Customer :  
 Product line : Jet Pump: Three-Phase - W01 (Rolled Steel) - TEFC - Keyed - Premium Efficiency

Frame : 56C  
 Output : 3 HP  
 Frequency : 60 Hz  
 Poles : 2  
 Full load speed : 3500 rpm  
 Slip : 2.78 %  
 Voltage : 208-230/460 V  
 Rated current : 7.76-7.02/3.51 A  
 Locked rotor current : 66.7/33.3 A  
 Locked rotor current (I<sub>L</sub>/I<sub>n</sub>) : 9.5  
 No-load current : 2.56/1.28 A  
 Full load torque : 4.44 lb.ft  
 Locked rotor torque : 300 %  
 Breakdown torque : 380 %  
 Design : B  
 Insulation class : F  
 Temperature rise : 80 K  
 Locked rotor time : 10 s (hot)  
 Service factor : 1.15  
 Duty cycle : S1  
 Ambient temperature : -20°C - +40°C  
 Altitude : 1000 m  
 Degree of Protection : IP55  
 Approximate weight : 48 lb  
 Moment of inertia : 0.16635 sq.ft.lb  
 Noise level : 68 dB(A)

|                     | D.E. | N.D.E. | Load | Power factor | Efficiency (%) |
|---------------------|------|--------|------|--------------|----------------|
| Bearings            |      |        | 100% | 0.91         | 86.5           |
| Regreasing interval |      |        | 75%  | 0.87         | 86.5           |
| Grease amount       |      |        | 50%  | 0.78         | 84.0           |

### Notes:

Downloaded from <http://dealerselectric.com>  
 Generated for Model #00336ET3EJPR56C-S

Performed by

Checked



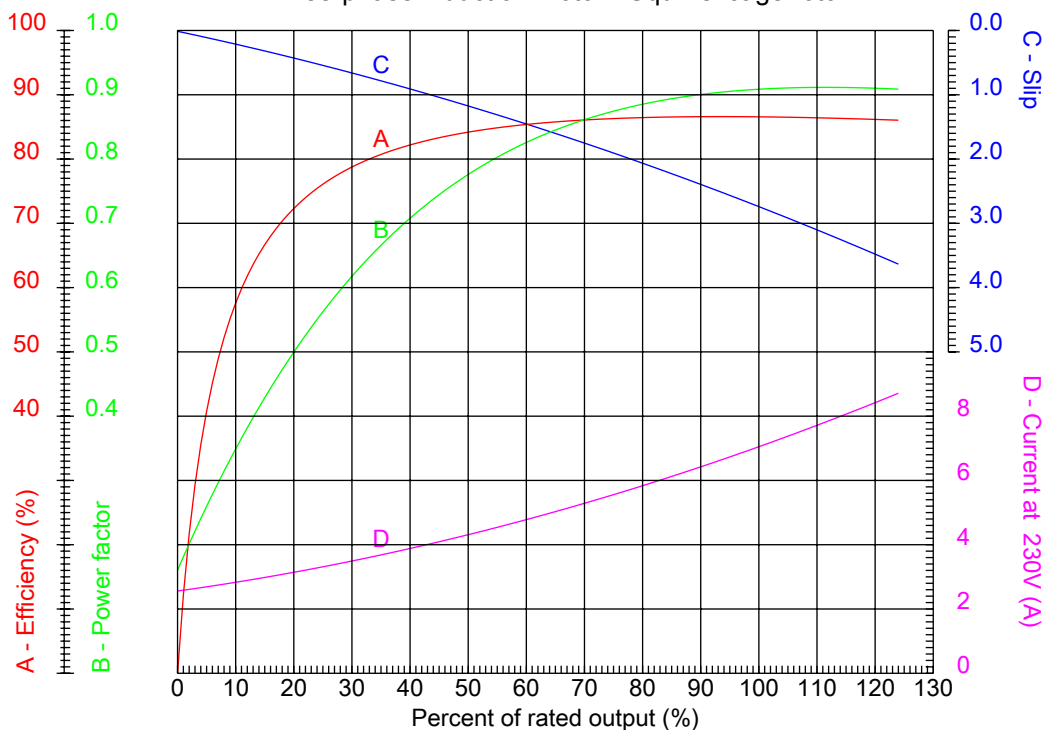
# Dealers Industrial Equipment

No.:

Date: 12-SEP-2016

## PERFORMANCE CURVES RELATED TO RATED OUTPUT

Three-phase induction motor - Squirrel cage rotor



Customer :  
 Product line : Jet Pump: Three-Phase - W01 (Rolled Steel) - TEFC - Keyed - Premium Efficiency

|                                  |  |
|----------------------------------|--|
| Frame : 56C                      | Locked rotor current (I <sub>l</sub> /I <sub>n</sub> ) : 9.5 |
| Output : 3 HP                    | Duty cycle : S1  |
| Frequency : 60 Hz                | Service factor : 1.15  |
| Full load speed : 3500 rpm       | Design : B   |
| Voltage : 208-230/460 V          | Locked rotor torque : 300 %                                  |
| Rated current : 7.76-7.02/3.51 A | Breakdown torque : 380 %                                     |
| Insulation class : F             |  |

Notes:  
 Downloaded from <http://dealerselectric.com>  
 Generated for Model #00336ET3EJPR56C-S

Performed by

Checked



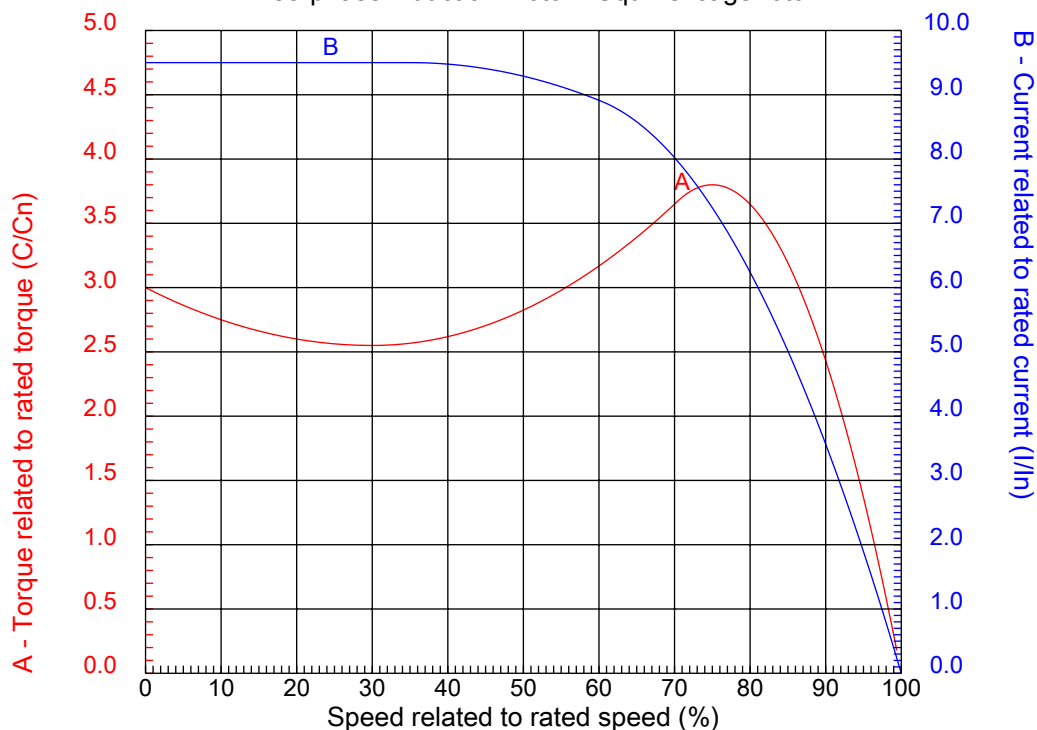
# Dealers Industrial Equipment

No.:

Date: 12-SEP-2016

## CHARACTERISTIC CURVES RELATED TO SPEED

Three-phase induction motor - Squirrel cage rotor



Customer :  
Product line : Jet Pump: Three-Phase - W01 (Rolled Steel) - TEFC - Keyed - Premium Efficiency

|                  |                    |  |         |
|------------------|--------------------|--|---------|
| Frame            | : 56C              | Locked rotor current (I <sub>l</sub> /I <sub>n</sub> ) | : 9.5   |
| Output           | : 3 HP             | Duty cycle   | : S1    |
| Frequency        | : 60 Hz            | Service factor   | : 1.15  |
| Full load speed  | : 3500 rpm         | Design   | : B     |
| Voltage          | : 208-230/460 V    | Locked rotor torque                                    | : 300 % |
| Rated current    | : 7.76-7.02/3.51 A | Breakdown torque                                       | : 380 % |
| Insulation class | : F                |  |         |

Notes:  
Downloaded from <http://dealerselectric.com>  
Generated for Model #00336ET3EJPR56C-S

Performed by

Checked

1 2 3 4 5 6 7 8

A

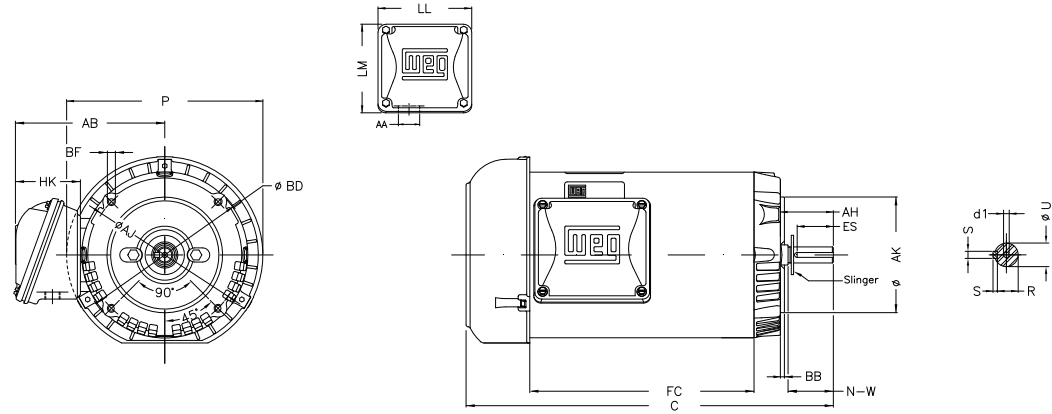
B

C

D

E

F



Notes: Downloaded from <http://dealerselectric.com>  
Generated for Model #00336ET3EJPR56C-S

Performed by:

Checked:

Customer:

Jet Pump: Three-Phase - W01 (Rolled Steel) - TEFC - Keyed - Premium

|        |                |        |       |       |
|--------|----------------|--------|-------|-------|
| P      | AB             | AA     | U     | ES    |
| 7.638  | 5.882          | 0.881" | 0.625 | 1.417 |
| C      | FC             | Flange | AJ    | AK    |
| 15.083 | 9.449          | FC-149 | 5.874 | 4.500 |
| BD     | BF             | BB     | AH    |       |
| 6.450  | UNC 3/8"x16-2B | 0.157  | 2.062 |       |

Three-phase induction motor  
Frame 56C - IP55

12-SEP-2016

