



# Dealers Industrial Equipment

No.:

Date: 12-SEP-2016

Customer :

## TECHNICAL PROPOSAL

### Three-phase induction motor - Squirrel cage rotor

Product line : Saw Arbor Motors : Single and Double Shaft End

Catalog Number : 00336ES3ESA80SL

List Price : \$969

#### Notes:

Downloaded from <http://dealerselectric.com>

Generated for Model #00336ES3ESA80SL

Performed by:

Checked:



# Dealers Industrial Equipment

No.:

Date: 12-SEP-2016

## DATA SHEET Three-phase induction motor - Squirrel cage rotor

Customer :  
 Product line : Saw Arbor Motors : Single and Double Shaft End

Frame : 80S  
 Output : 3 HP  
 Frequency : 60 Hz  
 Poles : 2  
 Full load speed : 3500 rpm  
 Slip : 2.78 %  
 Voltage : 208-230/460 V  
 Rated current : 9.49-8.58/4.29 A  
 Locked rotor current : 62.6/31.3 A  
 Locked rotor current (I<sub>L</sub>/I<sub>n</sub>) : 7.3  
 No-load current : 4.11/2.06 A  
 Full load torque : 4.44 lb.ft  
 Locked rotor torque : 330 %  
 Breakdown torque : 370 %  
 Design : ---  
 Insulation class : F  
 Temperature rise : 80 K  
 Locked rotor time : 9 s (hot)  
 Service factor : 1.15  
 Duty cycle : S6 50%  
 Ambient temperature : -20°C - +40°C  
 Altitude : 1000 m  
 Degree of Protection : IP54  
 Approximate weight : 85 lb  
 Moment of inertia : 0.07475 sq.ft.lb  
 Noise level : 62 dB(A)

	D.E.	N.D.E.
Bearings	6307 ZZ	6207 ZZ
Regreasing interval	---	---
Grease amount	---	---

Load	Power factor	Efficiency (%)
100%	0.80	80.5
75%	0.75	79.5
50%	0.65	76.0

Notes:  
 Downloaded from <http://dealerselectric.com>  
 Generated for Model #00336ES3ESA80SL

Performed by

Checked



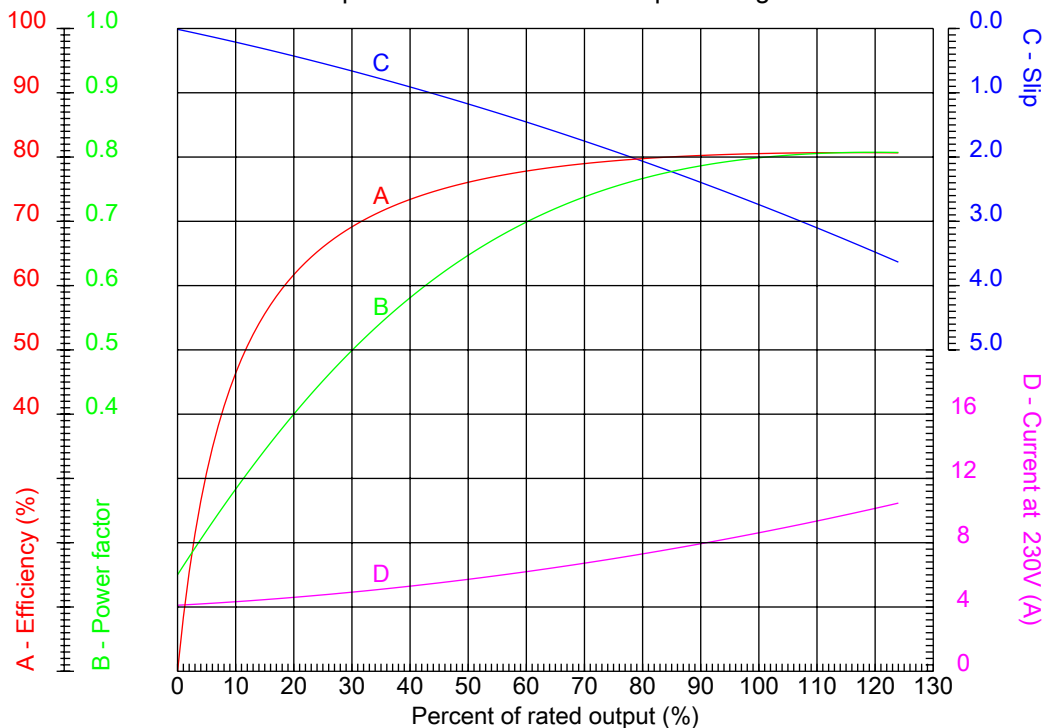
# Dealers Industrial Equipment

No.:

Date: 12-SEP-2016

## PERFORMANCE CURVES RELATED TO RATED OUTPUT

Three-phase induction motor - Squirrel cage rotor



Customer :  
 Product line : Saw Arbor Motors : Single and Double Shaft End

Frame	: 80S	Locked rotor current (I <sub>l</sub> /I <sub>n</sub> )	: 7.3
Output	: 3 HP	Duty cycle	: S6 50%
Frequency	: 60 Hz	Service factor	: 1.15
Full load speed	: 3500 rpm	Design	: ---
Voltage	: 208-230/460 V	Locked rotor torque	: 330 %
Rated current	: 9.49-8.58/4.29 A	Breakdown torque	: 370 %
Insulation class	: F		

Notes:  
 Downloaded from <http://dealerselectric.com>  
 Generated for Model #00336ES3ESA80SL

Performed by

Checked



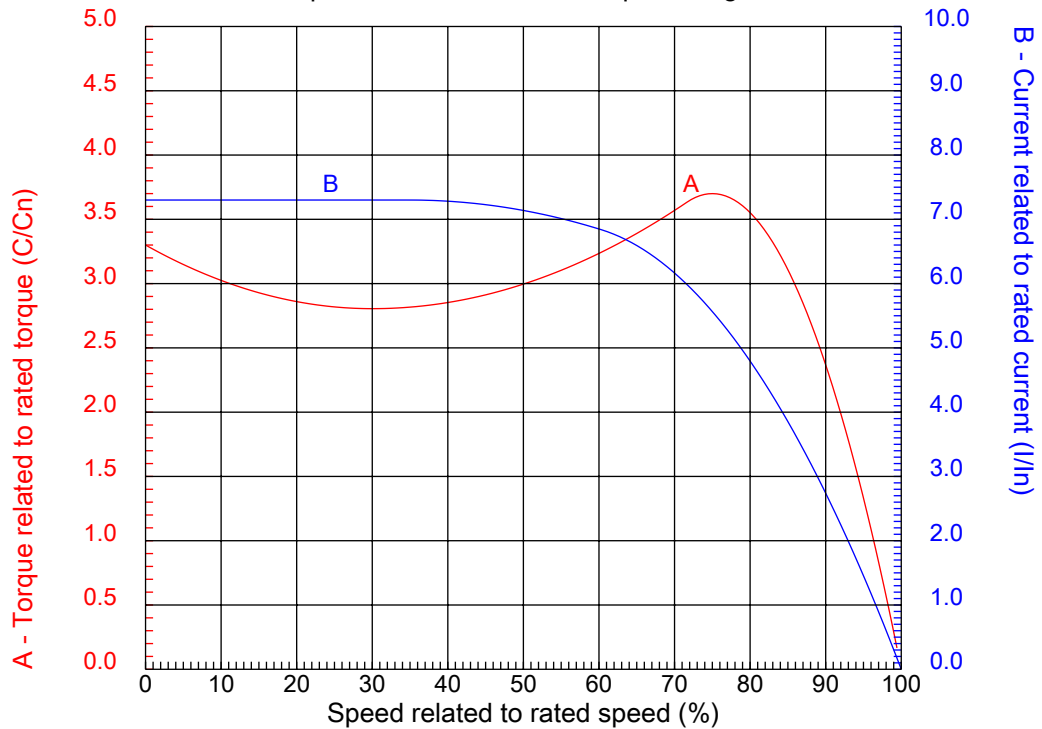
# Dealers Industrial Equipment

No.:

Date: 12-SEP-2016

## CHARACTERISTIC CURVES RELATED TO SPEED

Three-phase induction motor - Squirrel cage rotor



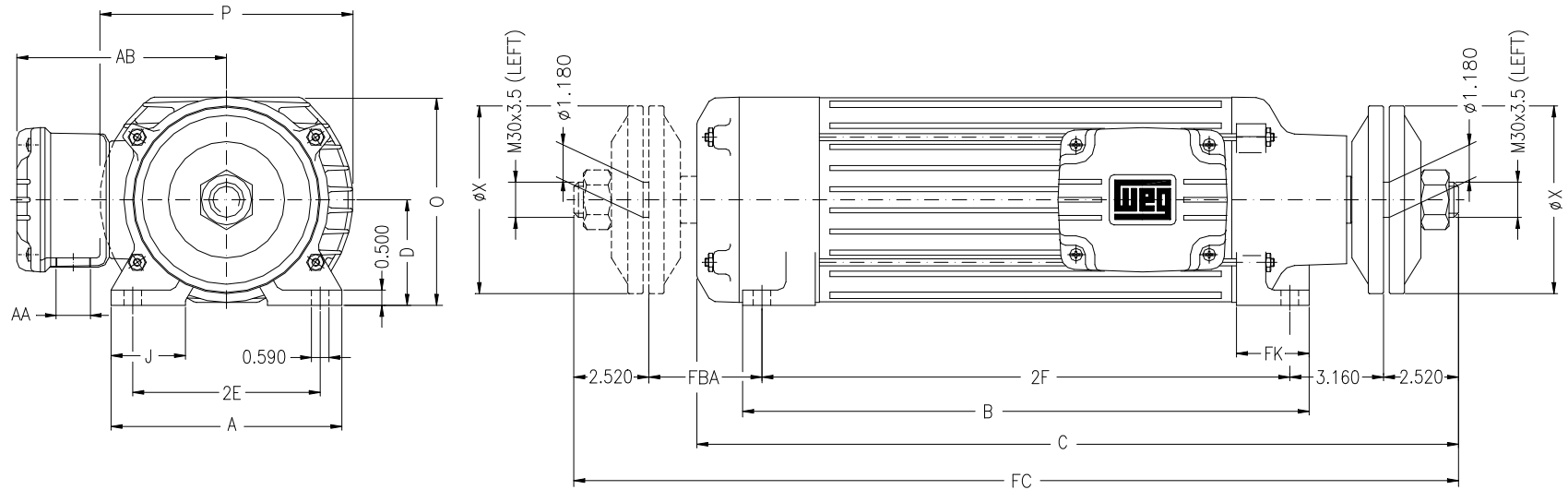
Customer :  
Product line : Saw Arbor Motors : Single and Double Shaft End

Frame	: 80S	Locked rotor current (I <sub>l</sub> /I <sub>n</sub> )	: 7.3
Output	: 3 HP	Duty cycle	: S6 50%
Frequency	: 60 Hz	Service factor	: 1.15
Full load speed	: 3500 rpm	Design	: ---
Voltage	: 208-230/460 V	Locked rotor torque	: 330 %
Rated current	: 9.49-8.58/4.29 A	Breakdown torque	: 370 %
Insulation class	: F		

Notes:  
Downloaded from <http://dealerselectric.com>  
Generated for Model #00336ES3ESA80SL

Performed by

Checked



Notes: Downloaded from <http://dealerselectric.com>  
 Generated for Model #00336ES3ESA80SL

Performed by:

Checked:

Customer:

Saw Arbor Motors : Single and Double Shaft End

A	B	AB	BB	BA
190	260	225	305	45
CA	L	LC	H	AA
102	471.0	570.0	80	35
HC	AC	AD	S1	
157	190	164	NPT 3/4"	

Three-phase induction motor  
 Frame 80S - IP54

12-SEP-2016



1 2 3 4 5 6 7 8

A

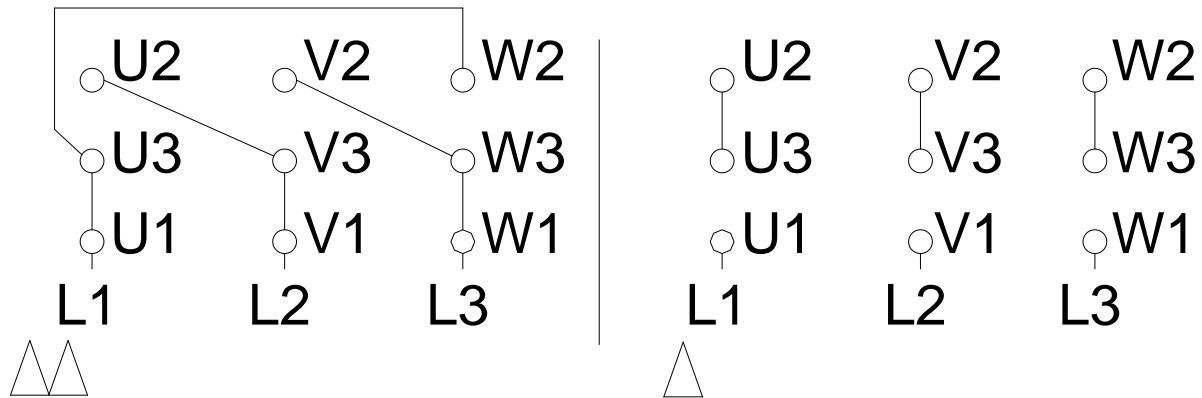
B

C

D

E

F



Notes: Downloaded from <http://dealerselectric.com>  
Generated for Model #00336ES3ESA80SL

Performed by:

Checked:

Customer:

Saw Arbor Motors : Single and Double Shaft End

Three-phase induction motor  
Frame 80S - IP54

12-SEP-2016

