



Dealers Industrial Equipment

No.:

Date: 12-SEP-2016

Customer :

TECHNICAL PROPOSAL

Three-phase induction motor - Squirrel cage rotor

Product line : Three-Phase : NEMA 56 Frames - TEFC

Catalog Number : 00336ES3EF56

List Price : \$484

Notes:

Downloaded from <http://dealerselectric.com>

Generated for Model #00336ES3EF56

Performed by:

Checked:



Dealers Industrial Equipment

No.:

Date: 12-SEP-2016

DATA SHEET Three-phase induction motor - Squirrel cage rotor

Customer :
Product line : Three-Phase : NEMA 56 Frames - TEFC

Frame : F56H
Output : 3 HP
Frequency : 60 Hz
Poles : 2
Full load speed : 3450 rpm
Slip : 4.17 %
Voltage : 208-230/460 V
Rated current : 8.25-7.60/3.80 A
Locked rotor current : 73.0/36.5 A
Locked rotor current (I_L/I_n) : 9.6
No-load current : 3.20/1.60 A
Full load torque : 4.51 lb.ft
Locked rotor torque : 430 %
Breakdown torque : 380 %
Design : A
Insulation class : F
Temperature rise : 80 K
Locked rotor time : 10 s (hot)
Service factor : 1.15 (1.00 at 208V)
Duty cycle : S1
Ambient temperature : -20°C - +40°C
Altitude : 1000 m
Degree of Protection : IP55
Approximate weight : 43 lb
Moment of inertia : 0.08638 sq.ft.lb
Noise level : ---

	D.E.	N.D.E.
Bearings	6204 ZZ	6203 ZZ
Regreasing interval	---	---
Grease amount	---	---

Load	Power factor	Efficiency (%)
100%	0.89	84.0
75%	0.84	84.0
50%	0.74	82.0

Notes:
Downloaded from <http://dealerselectric.com>
Generated for Model #00336ES3EF56

Performed by

Checked



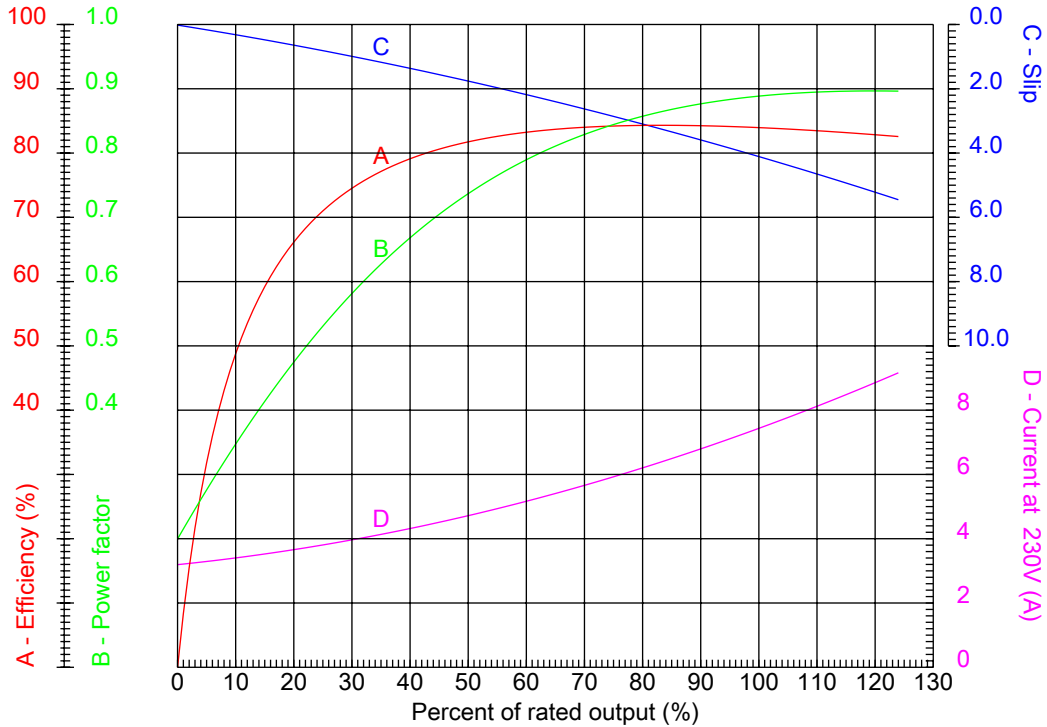
Dealers Industrial Equipment

No.:

Date: 12-SEP-2016

PERFORMANCE CURVES RELATED TO RATED OUTPUT

Three-phase induction motor - Squirrel cage rotor



Customer :
 Product line : Three-Phase : NEMA 56 Frames - TEFC

Frame	: F56H	Locked rotor current (I _l /I _n)	: 9.6
Output	: 3 HP	Duty cycle	: S1
Frequency	: 60 Hz	Service factor	: 1.15 (1.00 at 208V)
Full load speed	: 3450 rpm	Design	: A
Voltage	: 208-230/460 V	Locked rotor torque	: 430 %
Rated current	: 8.25-7.60/3.80 A	Breakdown torque	: 380 %
Insulation class	: F		

Notes:
 Downloaded from <http://dealerselectric.com>
 Generated for Model #00336ES3EF56

Performed by

Checked



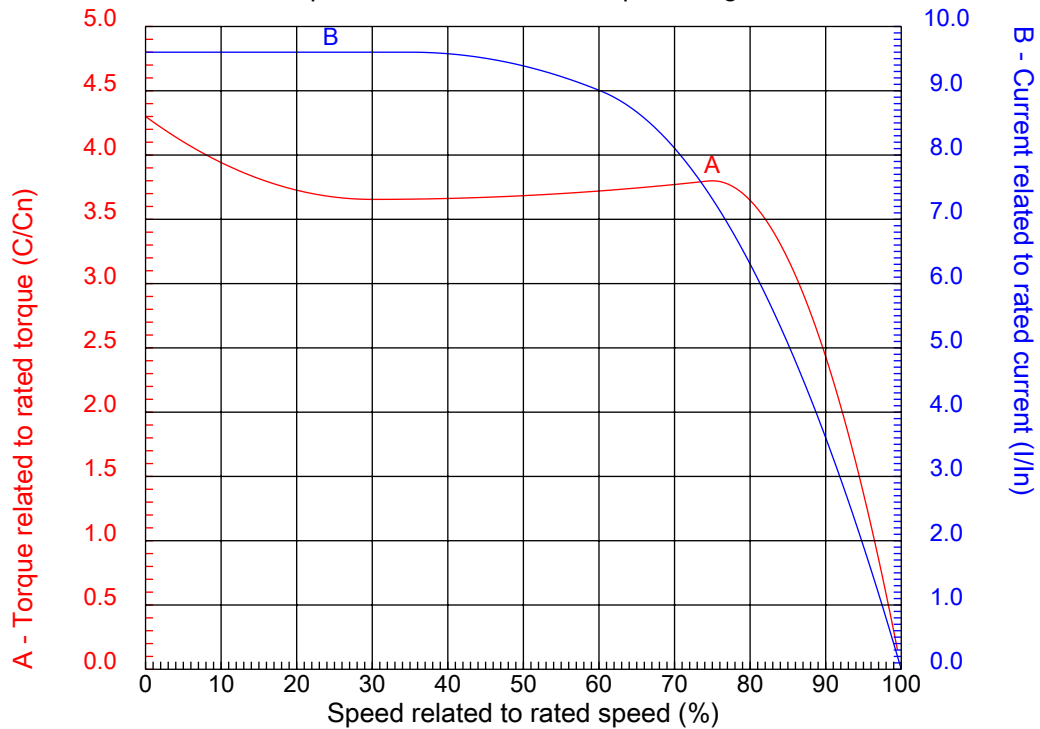
Dealers Industrial Equipment

No.:

Date: 12-SEP-2016

CHARACTERISTIC CURVES RELATED TO SPEED

Three-phase induction motor - Squirrel cage rotor



Customer :
Product line : Three-Phase : NEMA 56 Frames - TEFC

Frame	: F56H	Locked rotor current (I _l /I _n)	: 9.6
Output	: 3 HP	Duty cycle	: S1
Frequency	: 60 Hz	Service factor	: 1.15 (1.00 at 208V)
Full load speed	: 3450 rpm	Design	: A
Voltage	: 208-230/460 V	Locked rotor torque	: 430 %
Rated current	: 8.25-7.60/3.80 A	Breakdown torque	: 380 %
Insulation class	: F		

Notes:
Downloaded from <http://dealerselectric.com>
Generated for Model #00336ES3EF56

Performed by

Checked

1 2 3 4 5 6 7 8

A

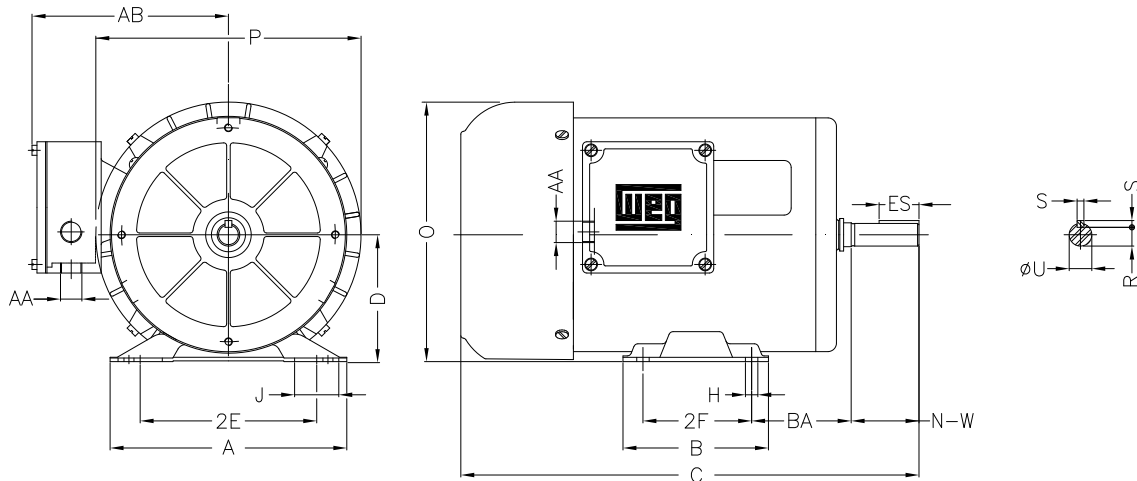
B

C

D

E

F



Notes: Downloaded from <http://dealerselectric.com>
Generated for Model #00336ES3EF56

Performed by:

Checked:

Customer:

Three-Phase : NEMA 56 Frames - TEFC

Three-phase induction motor
Frame F56H - IP55

12-SEP-2016



2E 4.874	2F 3.000	H 0.342	H1 1.220	BA 2.750
A 6.535	B 6.496	C 13.464	D 3.500	G 3.04
J 1.220	K 5.000	O 7.165	P 7.323	S 0.187
ES 1.102	R 0.517	N-W 1.874	U 0.6250	AA 2xNPT 1/2"
d1 A 3.15				

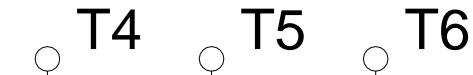
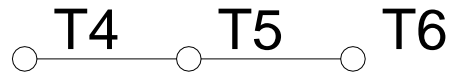
1 2 3 4 5 6 7 8

A

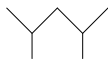
LOW VOLTAGE

HIGH VOLTAGE

B



C



D

E

F

Notes: Downloaded from <http://dealerselectric.com>
 Generated for Model #00336ES3EF56

Performed by:

Checked:

Customer:

Three-Phase : NEMA 56 Frames - TEFC

Three-phase induction motor
 Frame F56H - IP55

12-SEP-2016

